

ICV TOTAL CONTROL INSIDE BUILDINGS



GENERAL VALVES FOR BUILDING SERVICES



MEMBER OF THE **AVR** GROUP



GATE VALVE RESILIENT SEATED FULLY VULCANIZED WEDGE



Product series: S02, S21, S06, S15, S55

- Rising stem/Non rising stem
- Ductile iron body
- Stainless steel stem
- Vulcanized EPDM wedge
- Fusion bonded epoxy coating
- DN50-DN800
- PN10/PN16/PN25
- Flange connection
- C/W hand wheel, gearbox

Optional
Electric actuator
Position indicator
Micro switch

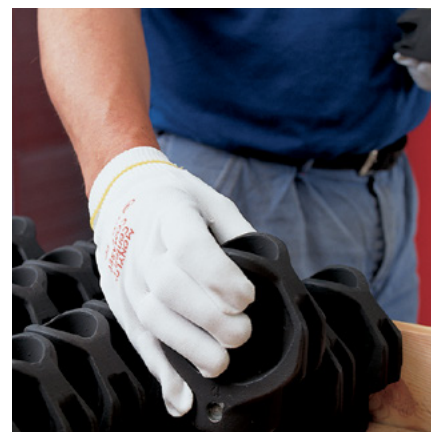
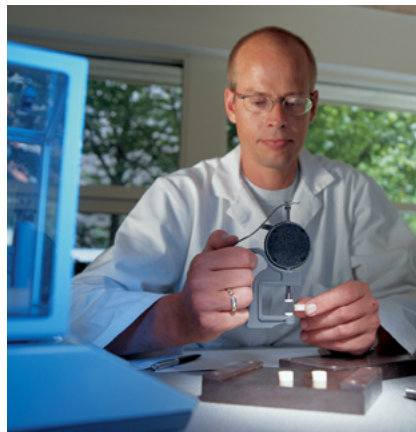
Features

- Fixed, integral wedge nut sealed with rubber prevents corrosion
- Double bonding vulcanization process ensures maximum adhesion of the rubber
- Guide rails with vulcanized wedge shoes ensure low friction and smooth operation
- Large rubber volume in the sealing area provides optimum sealing
- Large plain and conical stem hole prevents stagnant water and accumulation of impurities
- The rubber features an outstanding ability to regain its original shape
- The rubber is resistant to water treatment

chemicals

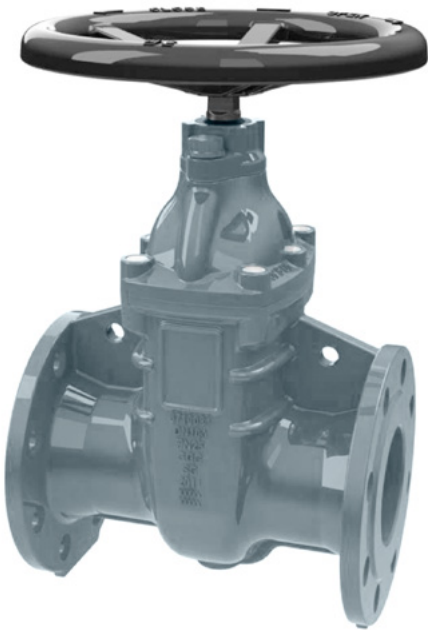
- The rubber ensures minimum biofilm formation which prevents contamination of the drinking water
- The rubber is approved for drinking water applications

For more details, please refer to <Wedge is the heart> brochure, or contact an ICV sales representative.





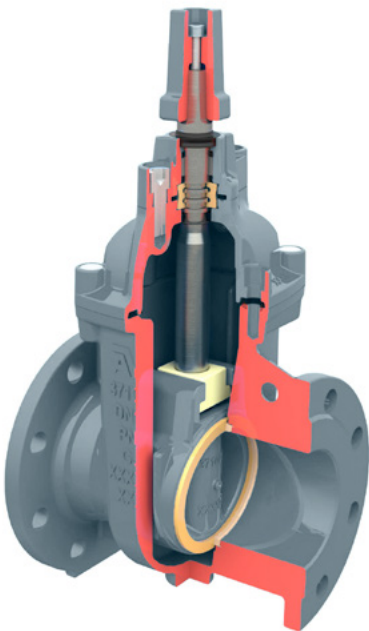
GATE VALVE METAL SEATED CAST BRONZE TRIM



Product series: S37, S54

- Rising stem/Non rising stem
- Ductile iron body
- Stainless steel stem
- DI disc with bronze seat and disc trim
- Fusion bonded epoxy coating
- DN50-DN1800
- PN10/PN16/PN25
- Flange connection
- C/W hand wheel, gearbox

Optional
Electric actuator
Position indicator
Bypass valve



CAST BRONZE TRIM

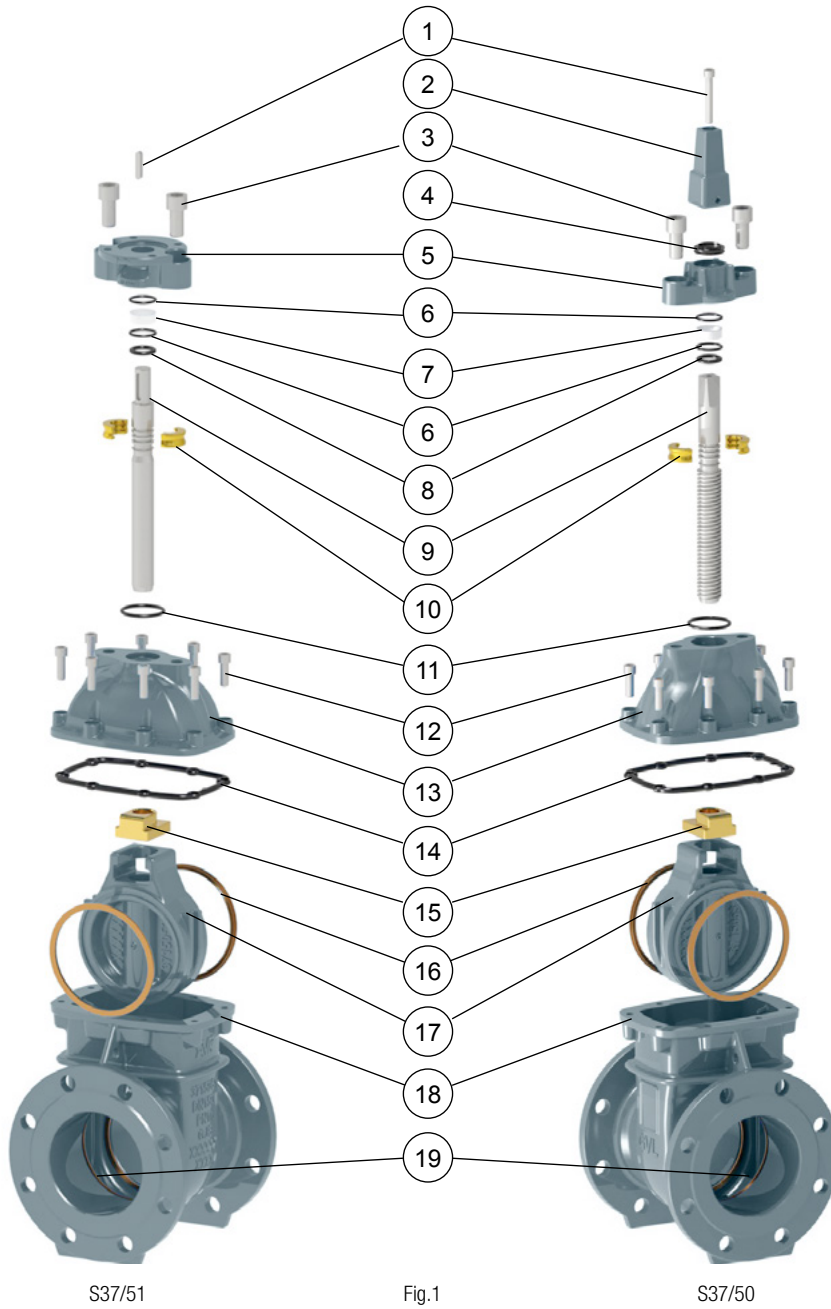
Features

- Full bore design reduces the head loss
- Maintenance and replacement possible for stem seal under pressure
- The unique assembly of the valve body and bonnet ensures a durable tightness
- The body and wedge rings are a single piece cast bronze and mechanically fastened in position.
- The rings are machined to a smooth surface finish to ensure suitable sealing performance
- Integral wedge nut to reduce wear out
- The guides in the wedge ensure uniform closure regardless of high pressures

- The wedge nut is made of aluminium bronze with lubricating abilities providing optimum compatibility with the stainless steel stem
- Shearing effect provides self-cleaning function
- Press sealing guarantee the performance under high unbalanced pressure

For more details contact an ICV representative.

**AVK METAL SEATED GATE VALVE
S37/50&S37/51 EXPLODED ASSEMBLY/PARTS LIST**



S37/51

Fig.1

S37/50

PARTS LIST

S37/51	S37/50	S37/51	S37/50	S37/51	S37/50
1. Key	Stem Cap Bolt	8. Lower Stem Seal O-ring		15. Wedge Nut	
2. /	Stem Cap	9. Stem		16. Face Ring	
3. Flange Bolts		10. Thrust Collar		17. Wedge	
4. /	Wiper Ring	11. O-ring		18. Body	
5. ISO Flange	Gland Flange	12. Bonnet Bolts		19. Seat Ring	
6. Upper Stem Seal O-ring		13. Bonnet			
7. Stem Seal Bushing		14. Bonnet Gasket			

BUTTERFLY VALVE CONCENTRIC LOOSE LINER RUBBER SEATED



Product series S76

- Wafer and lug type
- Ductile iron body
- Stainless steel stem
- EPDM Liner
- DI with fusion bonded epoxy coating disc
- Fusion bonded epoxy coating
- DN50-DN400
- PN10/PN16
- Flange connection
- C/W lever or gearbox

Optional
Electric actuator
SS AISI 316 disc
High temp EPDM liner (EPL)

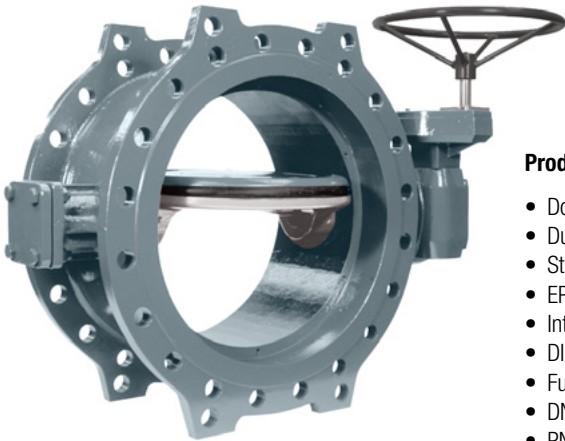
Features

- Designed for HVAC, supply drainage and drinking water systems
- Long neck for insulation
- Reinforced seating area at shaft. Shaft holes dimensioned to create compression around the shaft
- Integrated, profiled flange gasket
- Pinless and two stub shaft design
- PPOM bearings and an EPDM O-ring as backup sealing
- PTFE coated bearings at the top and bottom of the disc for low friction
- The rubber ensures minimum biofilm formation which prevents contamination of the drinking water
- The rubber is approved for drinking water applications



Low cost option for on/off use

BUTTERFLY VALVE DOUBLE ECCENTRIC DOUBLE FLANGE TYPE

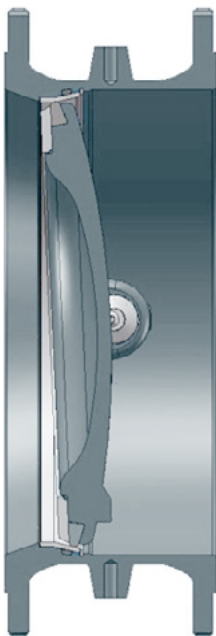


Product series S756

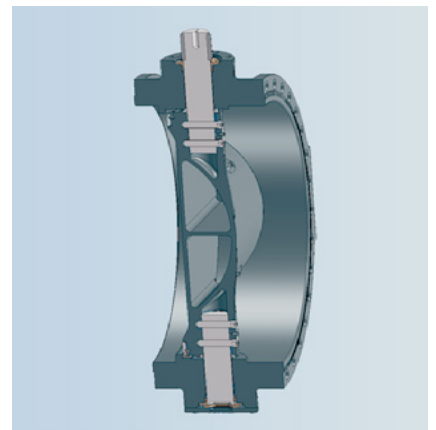
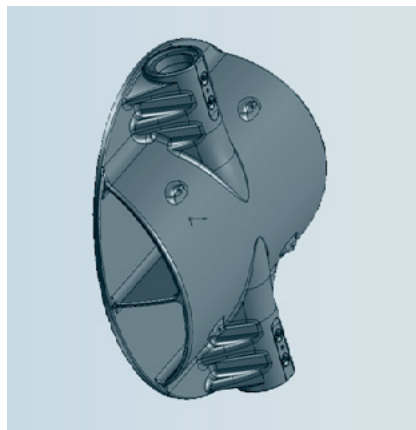
- Double flange type
 - Ductile iron body
 - Stainless steel stem
 - EPDM O-ring
 - Integral seat
 - DI with fusion bonded epoxy coating disc
 - Fusion bonded epoxy coating
 - DN200-DN2200
 - PN10/PN16/PN25
 - Flange connection
- C/W gearbox
- Optional
Electric actuator
SS seat AISI 316, AISI 431

Features

- Designed for HVAC, P & D and drinking water systems
 - Double eccentric principle
 - Tilted disc gives low operating torques and reduces wear of the sealing rings
 - Fixed design make sures no play between disc and stem
 - Optimized disc sealing
 - Double shaft sealing, replaceable under pressure
 - Stainless steel seat ring available
- Flow-through disc (optional) is less sensitive to cavitation and gives higher Kv
 - Approved for drinking water applications



Tilted disc extends service life



BUTTERFLY VALVE CONCENTRIC LUG /DOUBLE FLANGE TYPE



Product series S925/01

- Lug type
- Ductile iron body
- Stainless steel stem
- EPDM Liner
- DI with fusion bonded epoxy coating disc
- Fusion bonded epoxy coating
- DN50-DN600
- PN16/PN25
- Flange connection
- C/W lever or gearbox

Optional
Electric actuator
SS AISI 304, AISI 316 disc



Product series S813, S925/03

- Double flange concentric type
- Ductile iron body
- Stainless steel stem
- EPDM Liner
- DI with fusion bonded epoxy coating disc
- Fusion bonded epoxy coating
- DN50-DN1200
- PN16
- Flange connection
- C/W lever or gearbox

Optional
Electric actuator
SS AISI 304, AISI 316 disc

GLOBE VALVE METAL SEATED CAST BRONZE TRIM



Product series S902

- Cast iron/ductile iron body
- Stainless steel stem
- Cast iron/ductile iron disc
- Bronze seat ring and disc trim
- Fusion bonded epoxy coating
- DN50-DN450
- PN16/PN25
- Flange connection
- C/W hand wheel

SILENT CHECK VALVE CENTRAL GUIDED FLANGE/WAFER TYPE



Product series S903/01

- Flange type
- Ductile iron body
- Alu bronze stem
- Alu bronze disc
- Alu bronze seat
- Fusion bonded epoxy coating
- DN50-DN600
- PN16/PN25

Optional
SS AISI 304, AISI 316 disc/stem/seat



Product series S903/02

- Wafer connection
- Ductile iron body
- Alu bronze stem
- Alu bronze disc
- Alu bronze seat
- Fusion bonded epoxy coating
- DN50-DN300
- PN16

Optional
SS AISI 304, AISI 316 disc/stem/seat

CHECK VALVE ENERGY SAVING TYPE WAFER DUAL DOOR TYPE



Product series S903/03

- Energy saving silent check valve
- Ductile iron body
- Stainless steel stem
- DI with fusion bonded epoxy coating disc
- EPDM disc seat
- Fusion bonded epoxy coating
- DN50-DN600
- PN16/PN25



Product series S904/01

- Wafer connection
- Ductile iron body
- Stainless steel AISI 316 stem
- Stainless steel AISI 316 disc
- EPDM seat
- Fusion bonded epoxy coating
- DN50-DN600
- PN16

CHECK VALVE SWING CHECK VALVE BALL CHECK VALVE



SWING CHECK VALVE Product series S41

- Flange connection
- Ductile iron body
- Stainless steel stem
- DI with fusion bonded epoxy coating disc
- EPDM seat DN50-300
- Alu bronze seat ring DN350-600
- Fusion bonded epoxy coating
- DN50-DN600
- PN16

Optional
Lever and weight
Protection guard



BALL CHECK VALVE Product series S53

- Thread end/flange end
- Ductile iron body
- DN32-100 Alu ball coated with NBR
- DN125-600 Cast iron ball coated NBR
- NBR O-ring
- Fusion bonded epoxy coating
- DN32-DN600
- PN10

Optional
Solid PUR ball
Customized ball weight

AIR VALVE AUTO AIR VALVE DUAL FUNCTION AIR VALVE



AUTO AIR VALVE Product series S912

- Thread connect
- CW617N brass body
- CW617N brass stem
- PTFE insert
- Stainless steel AISI 304 spring
- DN15-DN25
- PN16

Optional
Stainless steel AISI 304 filter



DUAL FUNCTION AIR VALVE Product series S851

- Thread end/flange end
- Duction iron body
- Nylon orifice bracket
- Nylon cover
- ABS insert
- Stainless steel AISI 316 pin
- Stainless steel AISI 316 bolt, washer
- Fusion bonded epoxy coating
- DN25-DN200
- PN16/PN25



BRONZE VALVE BS21 THREAD END CC491K BRONZE



Bronze gate valve
Product series S906/02

- Thread to BS21
- Bronze CC491K body
- DZR brass CW602N stem
- Bronze CC491K disc
- Bronze CC491K seat
- PTFE packing
- DN15-50
- PN20/PN25



Bronze globe valve
Product series S906/04

- Thread to BS21
- Bronze CC491K body
- DZR brass CW602N stem
- DN15-25 DZR brass CW602N disc
- DN32-50 bronze CC491K disc
- Bronze CC491K seat
- PTFE packing
- DN15-50
- PN16/PN20



Bronze check valve
Product series S906/06

- Thread to BS21
- Bronze CC491K body
- DZR brass CW602N disc
- Bronze CC491K seat
- PTFE gasket
- DN15-50
- PN20



Bronze ball valve
Product series S906/08

- Thread to BS21
- Bronze CC491K body
- DZR brass CW602N stem
- Chrome plated brass CW617N ball
- PTFE seat
- DN15-50
- PN20/PN25

STAINLESS STEEL VALVE BS21 THREAD END



Stainless steel gate valve Product series S907/01

- Thread to BS21
- Stainless steel AISI 304 body
- Stainless steel AISI 304 stem
- Stainless steel AISI 304 disc
- Stainless steel AISI 304 seat
- PTFE packing
- DN15-50
- PN16/PN25

Optional
Stainless steel AISI 316



Stainless steel globe Product series S907/02

- Thread to BS21
- Stainless steel AISI 304 body
- Stainless steel AISI 304 stem
- Stainless steel AISI 304 disc
- Stainless steel AISI 304 seat
- PTFE packing
- DN15-50
- PN16/PN25

Optional
Stainless steel AISI 316



Stainless steel check valve Product series S907/03

- Thread to BS21
- Stainless steel AISI 304 body
- Stainless steel AISI 304 pin
- Stainless steel AISI 304 disc
- Stainless steel AISI 304 seat
- PTFE gasket
- DN15-50
- PN16/PN25

Optional
Stainless steel AISI 316



Stainless steel ball valve Product series S907/04

- Thread to BS21
- Stainless steel AISI 304 body
- Stainless steel AISI 304 stem
- Stainless steel AISI 304 ball
- PTFE seat
- DN15-50
- PN16/PN25

Optional
Stainless steel AISI 316

STRAINER STAINLESS STEEL FILTER Y TYPE



**Product series
S910/X1 S910/02**

- Flange connection
- Ductile iron body
- Stainless steel AISI 304 filter
- Galvanized steel drain plug
- NBR O-ring
- DN50-600
- PN16/PN25

Optional
Stainless steel AISI 316 filter
Stainless steel AISI 316 drain plug



Product series S910/07

- Thread to BS21
- Bronze CC491K body
- Stainless steel AISI 304 filter
- Bronze CC491K cap
- PTFE gasket
- DN15-50
- PN20

FLEXIBLE JOINT RUBBER TYPE THREAD/FLANGE END



**Product series
S911/01, S911/02**

- Single sphere/double sphere
- Flange connection
- Nylon tire cord reinforcement
- EPDM body
- Galvanized steel flange
- DN50-600
- PN16/PN25

Other rubber material on request



Product series S911/03

- Double sphere
- Thread connection
- Nylon tire cord reinforcement
- EPDM body
- Galvanized DI thread end
- DN15-50
- PN16

Other rubber material on request

FLEXIBLE JOINT STAINLESS STEEL THREAD/FLANGE END



Product series S911/04, S911/05

- Thread end
- Stainless steel AISI 304 tube
- Stainless steel AISI 304 braid*
- Galvanized steel thread
- DN15-50
- PN16/PN25

Optional
Stainless steel AISI 316 tube/braid/
thread end
Female/male thread end

* No braid for DN15-20 for FCU use



Product series S911/06

- Flange end
- Stainless steel AISI 304 tube
- Stainless steel AISI 304 braid
- Galvanized steel flange
- DN32-800
- PN16/PN25

Optional
Stainless steel AISI 316 tube/braid

EXPANSION JOINT STAINLESS STEEL FLANGE END



Product series S911/08

- Flange end
- Stainless steel AISI 304 tube
- Galvanized steel tie rod
- Galvanized steel flange
- DN32-1200
- PN16/PN25



CHENGDU IFS, THE WHARF GROUP HK

Chengdu IFS, modeled on Harbour City in Hong Kong. This unparalleled location attracts a large concentration of mainstream consumers to thriving businesses and can be aptly dubbed a combination of Hong Kong's Central CBD, Causeway Bay and Tsim Sha Tsui. With a total development area of 760,000 square metres, the development comprises a mega shopping mall, two premium grade A office towers, a luxurious residential tower and a luxury international hotel.

ICV has provided the project with one-stop shop solution for building HVAC, P & D systems including gate, globe, check, butterfly valves etc.

For more details, please contact us or visit www.icvalves.com.



IC Valves (Nanjing) Co., Ltd.

Room 16G,
Blk A Changfa Center,
300 E Zhongshan Road
Nanjing, China

Tel.: +86 25 8320 0100
+86 25 8320 0020
Fax.: +86 25 8320 5225
info@icvalves.cn

www.icvalves.com
www.avkvalves.com

2015-05
Copyright©IC Valves (Nanjing) Co., Ltd



MEMBER OF THE  GROUP

