

**AVR** Repico® COUPLINGS AND REPAIR COUPLINGS

# Repico®



|  |   |                                |
|--|---|--------------------------------|
|  |  | <h2>EXPECT SUSTAINABILITY</h2> |
|  |  |                                |

Expect... **AVR**

# EXPECT QUALITY

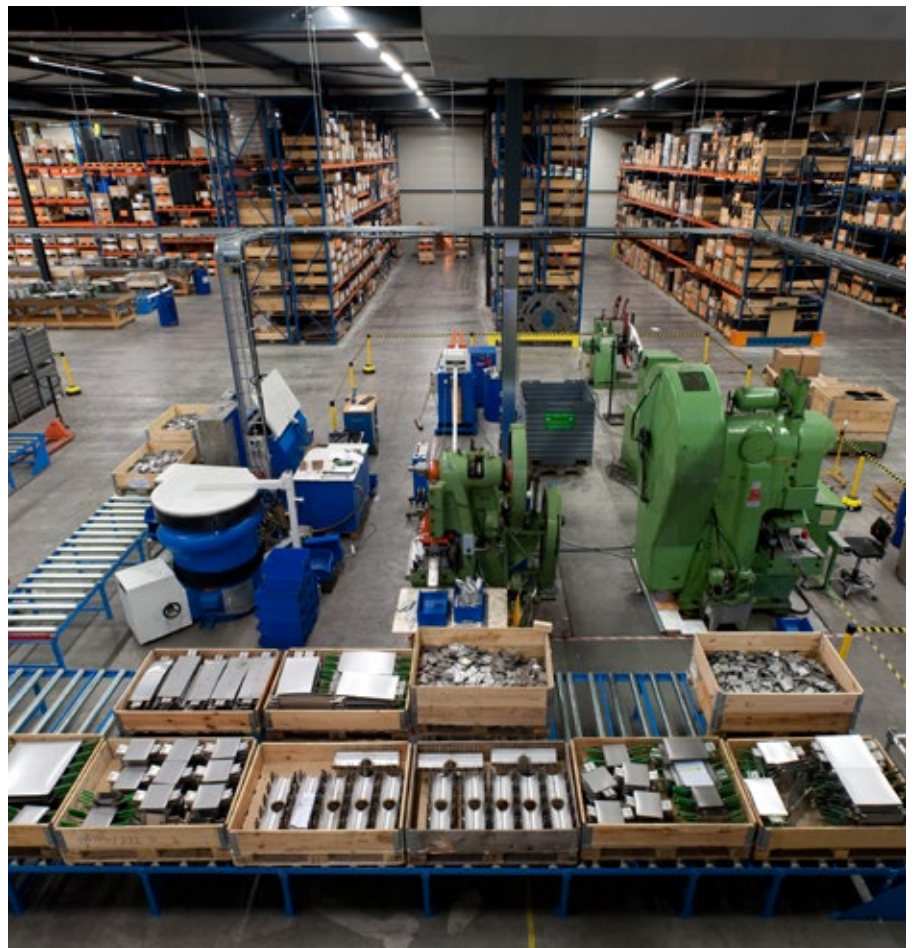
AVK Rewag (REpairing WAter and Gas) is part of the internationally operating AVK Group and is the production location of AVK Nederland. AVK Rewag was originally started as Rewag Pipeline Products in 1991 where the production of stainless steel repair clamps took place.

In 2004 the company became a member of the AVK Group and changed its name into AVK Rewag. Throughout the years the product range has been expanded and innovated with stainless steel repair clamps with vulcanized spanner plate, stainless steel tapping saddles and QR transition couplings.

In 2011 the AVK Rewag production facility has completely updated. The last years the production has been expanded with welding robots and an own test facility. AVK Rewag has more than 30 year experience in manufacturing repair clamps and our products are sold in more than 40 countries.

A recent change was the integration of the Repico® product range moving from outsourced production to AVK Rewag production facility. The production facility is expanded with a new building of 1000 m<sup>2</sup>, according to the latest environmental requirements.

The production process is in accordance with ISO 9001 and ISO 14001. We are also implementing a Corporate Social Responsibility (CSR) policy according to ISO 26000 standards.



# AVK REWAG PRODUCTION



## WITH AVK REPICO<sup>®</sup>, AVK REWAG ANSWERS TO ALL 8 AVK PROMISES:

- # 1 Expect lasting innovation
- # 2 Expect quality in every step
- # 3 Expect global leadership and local commitment
- # 4 Expect prompt response
- # 5 Expect solutions, not just products
- # 6 Expect it to be effective and easy
- # 7 Expect a long-term partnership
- # 8 Expect total savings

# WITH AVK REPICO AVK REWAG ANSWERS TO ALL 8 AVK PROMISES

- # 1 Expect solutions, not just products
  - Besides our standard products we keep on providing innovative products that will help our customers
- # 2 Expect global leadership and local commitment
  - The AVK global product and manufacturing standards are used to ensure the AVK's full compliance to the renowned quality standards
  - The local sales offices are committed to offer the best service possible
- # 3 Expect quality in every step
  - Our quality is not limited to the product itself. It concerns the entire process from the early specification to after-sales
  - Quality is not the result of a single link in the chain – it is the sum of all steps
- # 4 Expect prompt response
  - A vast stock is available to answer to our customer needs
  - Our state of the art production facility enables us to supply non stocked items with the shortest possible delivery times
- # 5 Expect lasting innovation
  - Standard stainless steel 316 material
- # 6 Expect total savings
  - Being able to offer an extended range reduces the need of suppliers
  - Offer top quality against competitive pricing
- # 7 Expect a long-term partnership
  - AVK REWAG has a tradition of long lasting relation with its customers and aims for long lasting partnerships through being a trustworthy partner
- # 8 Expect it to be effective and easy
  - We keep communication lines short
  - Your local representative has direct communication with the factory
  - Products can be installed easily

## EXPECT MORE

### Project package

Your local AVK REWAG contact will be available to perform an onsite survey of your project and discuss the best possible solutions. If required a factory representative will support him. A full range of accessories can be offered to fulfill the project needs. Project specific testing and shop inspection can be offered.

### Full package

Next to our AVK promises we also offer the complete AVK product range, which enables our customer to benefit from more quality products. With most of its product ranges AVK is market leader, we expect that the Repico® product range will become no exception to this rule.

# CONTENTS

|  | Page |
|--|------|
| Advantages / Benefits  | 6    |
| Basic principles   | 8    |
| Applications / Benefits  | 9    |
| Application area   | 12   |
| Certificates & Approvals   | 13   |
| Repico® material   | 14   |
| Repico® logical number series  | 15   |
| Repico® G - Grip type coupling   | 16   |
| Repico® GLP - Grip type coupling low pressure                                | 18   |
| Repico® GMP - Grip type coupling medium pressure                             | 20   |
| Repico® GF - Grip type coupling high pressure                                | 22   |
| Repico® GP - Grip Plastic type coupling                                      | 24   |
| Repico® S - Slip type coupling   | 26   |
| Repico® SL - Slip type coupling long version                                 | 28   |
| Repico® SF(L) - Slip type coupling high pressure (long version)              | 30   |
| Repico® SD - Slip type coupling two locks                                    | 32   |
| Repico® SDL - Slip type coupling two locks long version                      | 34   |
| Repico® SDF(L) - Slip type coupling two locks high pressure (long version)   | 36   |
| Repico® ST(L) / SQ(L) - Slip type coupling three / four locks (long version) | 38   |
| Repico® SG(L) - Slip Grip type coupling (long version)                       | 40   |
| Repico® RH - Repair coupling   | 42   |
| Repico® RHL - Repair coupling long version                                   | 44   |
| Repico® RSD - Repair coupling two locks                                      | 46   |
| Repico® RSDL - Repair coupling two locks long version                        | 48   |
| Repico® RSDF - Repair coupling two locks high pressure                       | 50   |
| Repico® RSDFL - Repair coupling two locks long version high pressure         | 52   |
| Repico® RE - Repair coupling for elbows                                      | 54   |
| Engineered products  | 56   |
| Accessories  | 57   |
| Minimum wall thickness pipe materials  | 58   |
| Available tests  | 59   |

# ADVANTAGES / BENEFITS

A Repico® pipe coupling (or repair coupling) has several advantages over a traditional connection (repair) method:

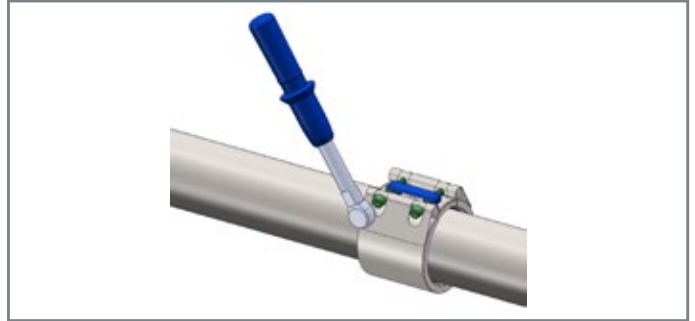
- A Repico® coupling takes only minutes to install and requires hardly any preparation. Think of how much this will save you. Think of initial material cost, labour cost and being able to finish installation much quicker.

| Normal pipe size |          |                   |
|------------------|----------|-------------------|
| Metric           | Imperial | Time per coupling |
| mm               | Inch     | min               |
| 20               | ¾        | 2                 |
| 25               | 1        | 2                 |
| 32               | 1 ¼      | 2                 |
| 40               | 1 ½      | 2                 |
| 50               | 2        | 3                 |
| 65               | 2 ½      | 4                 |
| 80               | 3        | 4                 |
| 100              | 4        | 5                 |
| 125              | 5        | 6                 |
| 150              | 6        | 7                 |
| 200              | 8        | 9                 |
| 250              | 10       | 10                |
| 300              | 12       | 12                |
| 350              | 14       | 12                |
| 400              | 16       | 12                |
| 450              | 18       | 12                |
| 500              | 20       | 12                |
| 550              | 22       | 12                |
| 600              | 24       | 12                |

The installation time includes:

- Marking of half the coupling width on both pipe ends
- Fitting the coupling over pipe ends and correct alignment
- Tightening the bolts with a torque wrench

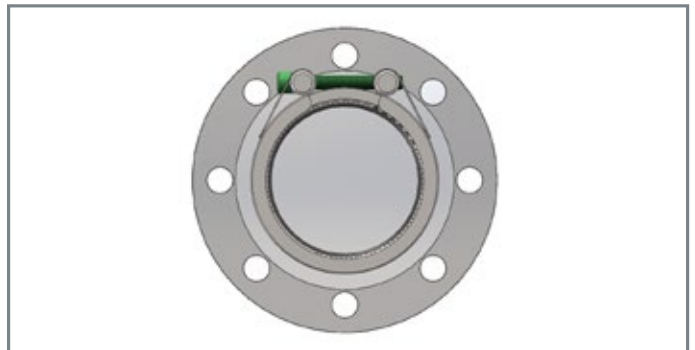
- As the installation only requires a torque wrench there is no fire or explosion risk during installation. Less precautions and permits are required which shortens installation times.



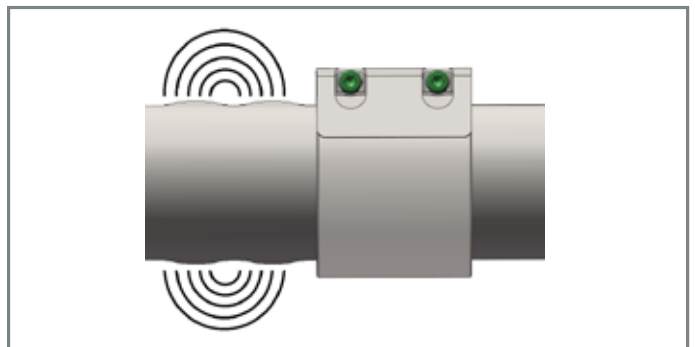
- A Repico® coupling weighs less than half of 2 flanges. Pipe supports can be lighter, transport cost is lower and for some applications the net weight for cargo increases.



- A Repico® coupling is smaller than a flange. You require less storage space, less transportation capacity, less space to install the pipe or get more pipes close together in a smaller space.



- Due to soft sealing materials the Repico® coupling will absorb vibrations, noise and will reduce fatigue fractures in the pipe system. This results in more comfort and less future repairs.

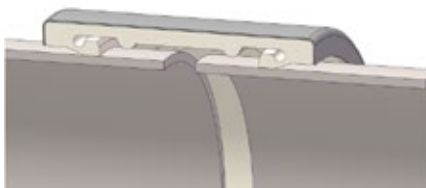


# BASIC PRINCIPLES

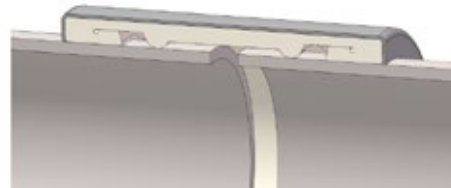
There are 2 types of couplings which operate on the same basic well proven principal.

- A Repico® grip (axially restraint) type and a slip (axially flexible) type.
- The Repico® grip type restrains the pipe inside the coupling and the slip type that allows the pipe to move within the coupling.
- The Repico® grip type anchors in the pipe wall through grip rings, restraining the axial movement of the pipe in the coupling. Sealing to the pipe wall is done by the rubber sealing material inside the coupling.
- The Repico® slip type seals to the pipe wall by the rubber sealing material, as it has no grip rings the pipes need to be restrained outside the coupling. The expansion will be compensated through the allowable movement within the coupling.
- The Repico® slip/grip type is a combination of the above mentioned types, one side slip, the other side grip.
- The sealing material is encased in the stainless steel body and can be compressed by torquing the bolts. With the grip type this also engages the teeth to “bite” into the pipe wall. By the internal pressure of the media the sealing material is pressed against the pipe wall and the grip ring is pushed outwards increasing their grip on the pipe wall. This is called progressive sealing and anchoring.

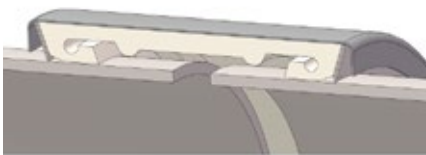
Repico® S - Slip type coupling



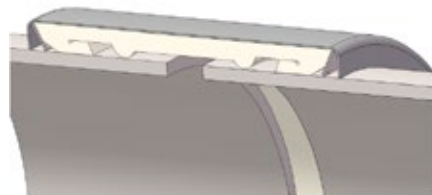
after tightening



Repico® G - Grip type coupling



after tightening



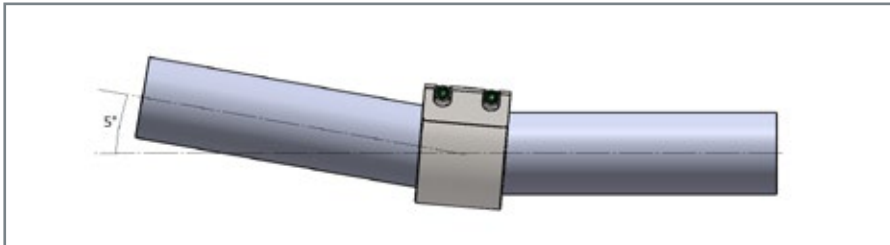
## • Repair couplings

The main difference of a Repico® repair clamp compared to a Repico® coupling is that the rubber seal is not one piece and it has no grip rings. The split seal allows the clamp to be put around the pipe. They have the same progressive sealing as the grip and the slip type. Some low pressure or special version might differ in sealing design.



# APPLICATIONS / BENEFITS

- Angular deflection  
Repico® pipe couplings allow angular deflection of the pipe until 5°

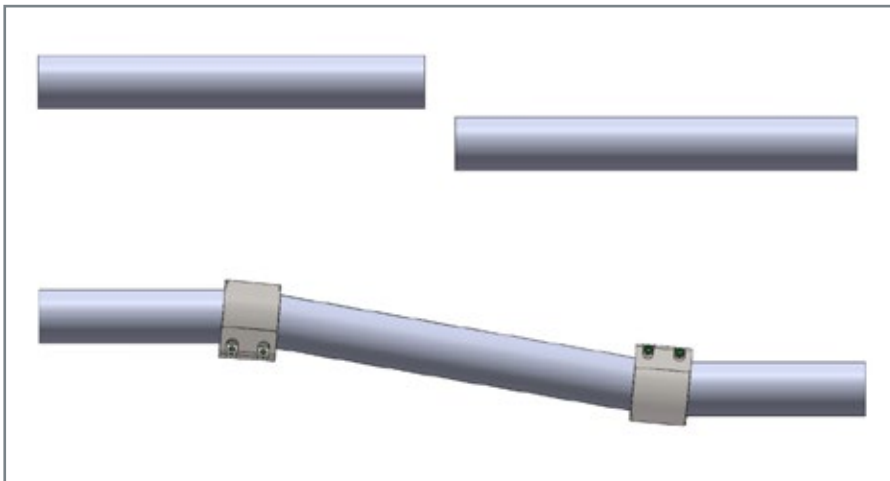


The angular deflection depends on size range.

Deflection per 1000 mm (yard)

| Size                         | Angular deflection   |
|------------------------------|----------------------|
| DN 15 – DN 50 (1/2" – 2")    | 5° ≈ 87 mm (3 3/16") |
| DN 65 – DN 175 (2 1/2" - 7") | 4° ≈ 70 mm (2 1/2")  |
| ≥ DN 200 (≥ 8")              | 2° ≈ 35 mm (1 1/4")  |

- No 100% accurate alignment is required: time and money is saved.  
By using the allowed angular deflection it is possible to absorb expected / possible displacement of the pipe. This will avoid future repair cost and possible downtime.



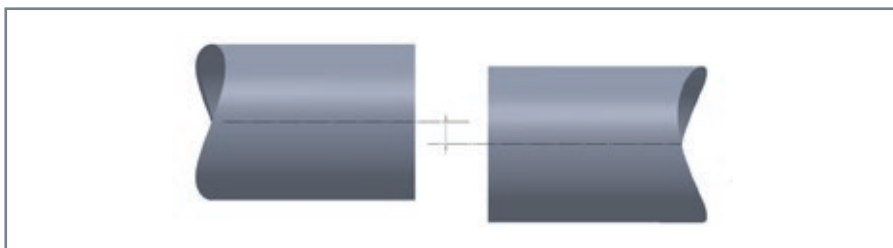
- The Repico® coupling is provided with PTFE coated bolts for most executions. Never worry about corroded bolting when you need to disassemble the coupling.
- The Repico® coupling is often encountered when connecting pipes from different materials. This enables you to make transitions from 1 material to another that cannot be welded together or when threading is not an option or making a flanged connection is too expensive or impossible.
- A Repico® coupling is standard supplied in 316 material grade, providing you with the highest quality.
- A Repico® coupling has solid bars on most executions.

# APPLICATIONS / BENEFITS

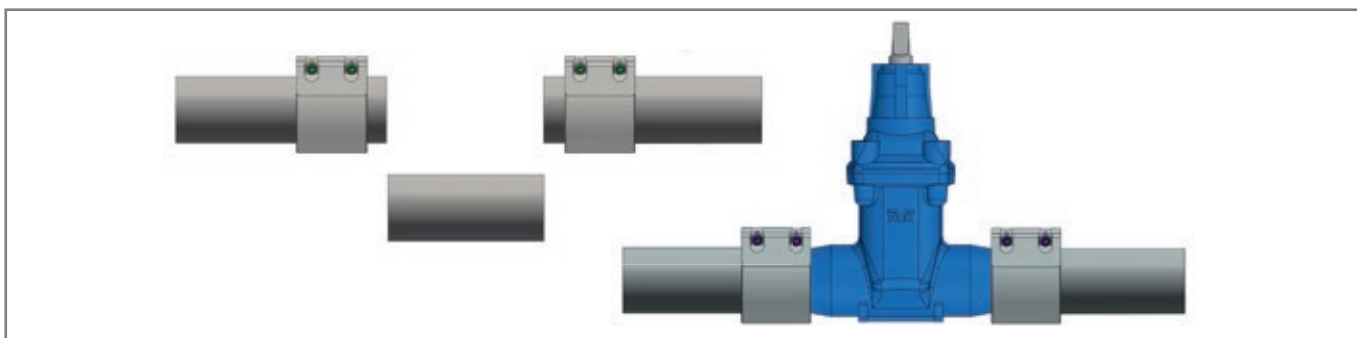
- Axial misalignment

Repico® pipe couplings allow misalignment of the pipe axis. We recommend however to avoid this if possible. If it does happen or can't be avoided it's advised to use a "transition" piece.

- If the pipe ends are fixed a misalignment of max 1% of the pipe OD (with a maximum of 3 mm) is allowed.



- If the pipe ends are not fixed an angular deflection or transition piece would be the alternatives within given limits.
- The Repico® coupling is provided with PTFE coated bolting for most executions
- Replacing a pipe section or adding fittings and valves  
If a pipe section needs to be replaced, a branch installed or a valve added Repico® couplings will allow you to do this quickly within a minimum of time and at the lowest possible cost.



- Repico® couplings don't absorb bending or torsion forces. If such forces may occur they must be eliminated at the source by supports, anchors or guides.

# APPLICATIONS / BENEFITS

- Axial movement / expansion or contraction  
Due to various process conditions pipes can move axially. Repico® Slip (non tensile) couplings are able to absorb the movement up to 15 mm (9/16") depending on the size of the coupling.

It is required to limit the movements to the maximum allowed pipe end gap or deflection by using guides / anchors or traditional compensators if quired.

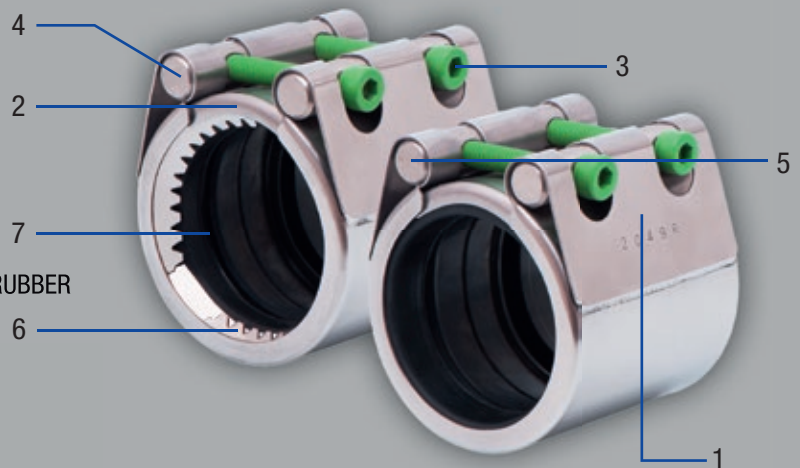
As the Repico® Slip (non tensile) coupling does allow axial movement due to temperature changes this can be cleverly used.

- Instead of having compensators or bends to accommodate the expansion making use of the properties of the coupling will allow to have longer straight sections and the expansion can be absorbed in smaller distances. Less stress in the system and supports will be the result.
- Free installed pipe lines  
As the Repico® coupling does not absorb forces in a guides only system some guides need to be changed to anchors. This way the anchors can absorb the force.
- Underground pipe lines  
Underground constructions follow the same principals as above pipe lines but they are fixated differently.

## Repico®

### NAME OF EACH PART

|    |              |                              |
|----|--------------|------------------------------|
| 1. | Body         | AISI 316 / AISI 304          |
| 2. | Slide plate  | AISI 316 / AISI 304          |
| 3. | Bolt         | AISI 316 / AISI 304          |
| 4. | Nut          | AISI 316 / AISI 304          |
| 5. | Washer       | AISI 316 / AISI 304          |
| 6. | Grip segment | AISI 301H                    |
| 7. | Sealing      | EPDM/NBR/SILICONE/FKM RUBBER |



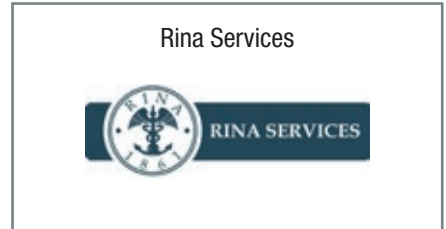
# APPLICATION AREA

Reverse Osmosis  
Desalination plants  
Process water  
Power plants  
Cooling water  
Process plants  
Compressed air  
Shipyards  
Bilge water  
Ship repair  
Ballast water  
Drilling rigs  
Sprinkler systems  
FPSO's  
Drinking water  
Municipal water supply  
systems  
District heating  
Airports  
Air conditioning  
Stadiums  
Waste water  
Commercial buildings  
Water distribution

Residential buildings  
Gas distribution  
Waste water treatment plants  
Low temperature steam  
Tank storage  
Condensate  
Water purification plants  
Heating Systems  
Fire fighting  
Engine Cooling systems

# CERTIFICATES & APPROVALS

AVK Repico® coupling has several approvals pending.



AVK Repico® coupling has several material approvals:

EPDM : EN 681-1, EG (UBA), W270 (DVGW), BS 6920 (WRAS), XP P 41-250 (ACS), Hydrocheck (Belgaqua) en 21CFR 177.2600 (FDA)  
NBR : EN 681-1, EN 682 (DVGW), XP P 41-250 (ACS) en AS/NZS 4020



# MATERIAL

| Connecting                        | Metal - Metal | Plastic - Plastic | Metal - Plastic | Restrained/Flexible |
|-----------------------------------|---------------|-------------------|-----------------|---------------------|
| <b>Couplings</b>                  |               |                   |                 |                     |
| Grip type (tensile)               | x             | x                 |                 | Restrained          |
| Slip type (flexible, non-tensile) | x             | x                 | x               | Flexible            |
| Slip Grip type                    | x             |                   | x               | Restrained/Flexible |
| <b>Repair clamps</b>              |               |                   |                 |                     |
| Hinge type                        | x             | x                 |                 | Flexible            |
| Elbow type                        | x             | x                 |                 | Flexible            |
| Multi Locks type                  | x             | x                 |                 | Flexible            |

| Sealing material      | EPDM  | NBR   | FKM  | Silicone             |
|-----------------------|---|---|--|----------------------|
| Temperature range     | -30° C up to +110° C  | -25° C up to +80° C   | -30° C up to +250° C                           | -70° C up to +200° C |
| Resistance            | Heat<br>Aging<br>Ozone<br>Acidity 2-11 pH   | Abrasion<br>Aging<br>Acidity 2-11 pH  | Corrosive media                                | Heat<br>Weather      |
| Medium suggestions    | Drinking water<br>Waste water<br>Compressed air<br>Alcohol and solids<br>Hot water<br>Acids | Water<br>Gas<br>Oil<br>Fuel<br>Hydrocarbon fluids<br>Aliphatic or non aromatics | Ozone<br>Oxygen<br>Acids<br>Gas<br>Oil<br>Fuel | Steam                |
| Standards & Approvals | EN 681-1, E.G.,<br>W 270, BS 6920,<br>XP P 41-250,<br>Hydrocheck                            | EN 681-1, EN 682<br>XP P 41-250,<br>AS/NZS 4020                                 |  |                      |

| Quality | Housing | Lock bars | Bolts    | Anchoring |
|---------|---------|-----------|----------|-----------|
| W4      | 304     | 304       | 304 PTFE | 301H      |
| W5      | 316     | 316       | 316 PTFE | 301H      |

# LOGICAL NUMBER SERIES

## Serie 745 - Repico® couplings

| 745-AA-BBB-CC-D-EE |          |
|--------------------|----------|
| <b>AA</b>          | Type     |
| <b>BBB</b>         | Diameter |
| <b>CC</b>          | Material |
| <b>D</b>           | Rubber   |
| <b>EE</b>          | Grip     |

| AA | - | Type |
|----|---|------|
| 01 | - | G    |
| 03 | - | GMP  |
| 06 | - | GF   |
| 10 | - | GLP  |
| 11 | - | GP   |
| 20 | - | S    |
| 21 | - | SL   |
| 24 | - | SF   |
| 25 | - | SFL  |
| 28 | - | SD   |
| 29 | - | SDL  |
| 32 | - | SDF  |
| 33 | - | SDFL |
| 36 | - | ST   |
| 37 | - | STL  |
| 44 | - | SQ   |
| 45 | - | SQL  |
| 52 | - | SG   |
| 53 | - | SGL  |

| CC | - | Materials            |
|----|---|----------------------|
| 01 | - | AISI 304             |
| 11 | - | AISI 316 (standard)* |

\* Other materials on request available

| D | - | Rubber   |
|---|---|----------|
| 1 | - | EPDM     |
| 2 | - | NBR      |
| 3 | - | Silicone |
| 4 | - | FKM      |

| EE        | - | Grip    |
|-----------|---|---------|
| None / 00 | - | No grip |
| 01        | - | Grip    |

## Serie 747 - Repico® repair clamps

| 747-AA-BBB-CC-D |           |
|-----------------|-----------|
| <b>AA</b>       | Type      |
| <b>BBB</b>      | Diameter  |
| <b>CC</b>       | Materials |
| <b>D</b>        | Rubber    |

| AA | - | Type  |
|----|---|-------|
| 01 | - | RSD   |
| 02 | - | RSDL  |
| 11 | - | RSDF  |
| 12 | - | RSDFL |
| 71 | - | RE    |
| 81 | - | RH    |
| 82 | - | RHL   |

| CC | - | Material             |
|----|---|----------------------|
| 01 | - | AISI 304             |
| 11 | - | AISI 316 (standard)* |

\* Other materials on request available

| D | - | Rubber   |
|---|---|----------|
| 1 | - | EPDM     |
| 2 | - | NBR      |
| 3 | - | Silicone |
| 4 | - | FKM      |

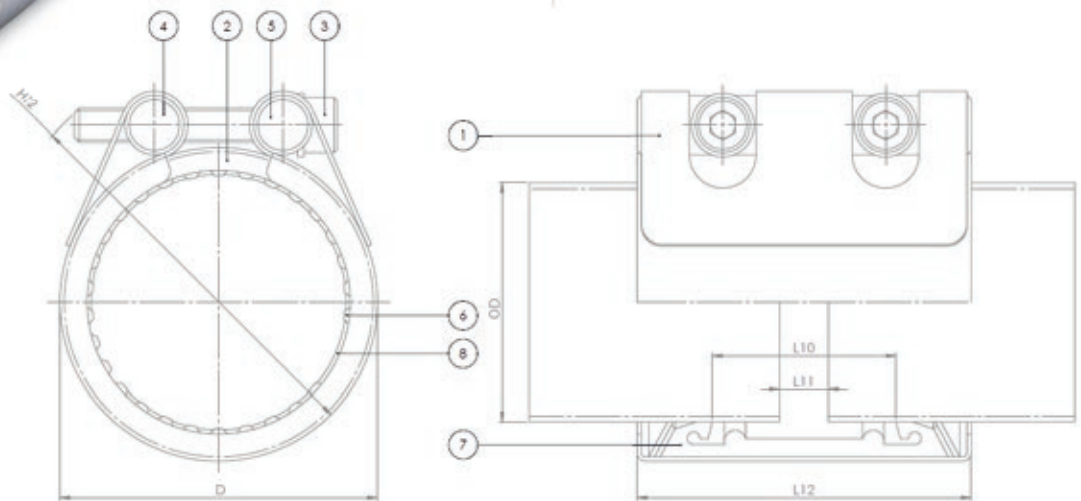
# Repico® GRIP COUPLINGS

The Repico® grip type coupling is designed to replace traditional pipe joining methods (welded, flanged, threaded, etc.) It offers a quick and simple connection solution for all metal pipes that needs to be restraint at pipe ends and/or have free moving support. No special tools or skilled people are required to install the Repico® product program. The pipe ends only need to be deburred and cleaned. The bolts tightened evenly and torqued with a torque wrench ensures a secure and durable connection. The Repico® grip range has the following types: GLP, GMP, G, GF, please see their specifications in the separate sections.

## Repico® G – GRIP TYPE COUPLING (TENSILE / AXIAL RESTRAINT) TO CONNECT ALL METAL PIPES

The Repico® G is the standard version in the range. It seals against 42.7bar (620psi) maximum up until DN 50 (2") and has progressive sealing and anchoring. It is available with EPDM, NBR, Silicone and FKM seals. Main components of stainless steel 316. Max. angular deflection 5° for DN 15-50, 4° for DN 65-175 and 2° for DN >= 200.

Repico® G, DN 15 up to DN 400 (1/2" up to 16")



|   |              |                                   |
|---|--------------|-----------------------------------|
| 1 | Body         | Stainless steel 316               |
| 2 | Slide plate  | Stainless steel 316               |
| 3 | Bolt         | Stainless steel 316 / PTFE coated |
| 4 | Nut          | Stainless steel 316               |
| 5 | Washer       | Stainless steel 316               |
| 6 | Grip segment | Stainless steel 301H              |
| 7 | Sealing      | EPDM, NBR, Silicone or FKM rubber |
| 8 | Support ring | Stainless steel 301H              |



| Article number      | Pipe DN | Nom. Diam. | Pipe OD |        |       |        |             |               |        | Coupling range (mm) | D (mm) | Nominal pressure (bar) |                 | Length |        | Gap | Torque | Thread | Allen head |
|---------------------|---------|------------|---------|--------|-------|--------|-------------|---------------|--------|---------------------|--------|------------------------|-----------------|--------|--------|-----|--------|--------|------------|
|                     |         |            | DIN/ISO | ASTM   | ASTM  | KS/JIS | CuNi metric | CuNi imperial | Other  |                     |        | Marine SF 4            | Industry SF 1,5 | L12 mm | L10 mm |     |        |        |            |
|                     |         |            | mm      | mm     | inch  | mm     | mm          | mm            | mm     |                     |        |                        |                 | mm     | mm     |     |        |        |            |
| 745-01-0020-CC-D-01 | 15      |            |         |        | 0,79  |        |             |               | 20,00  | 19.5 - 20.5         | 29,0   | 16,0                   | 42,7            | 60     | 28     | 8   | 7      | 6      | 5          |
| 745-01-0021-CC-D-01 | 15      | 1/2        | 21,30   | 21,30  | 0,84  | 21,70  |             |               | 21,30  | 21.2 - 22.2         | 31,0   | 16,0                   | 42,7            | 60     | 28     | 8   | 7      | 6      | 5          |
| 745-01-0025-CC-D-01 | 20      |            |         |        | 0,98  |        |             |               | 25,00  | 24.5 - 25.5         | 38,0   | 16,0                   | 42,7            | 60     | 28     | 8   | 8      | 8      | 6          |
| 745-01-0027-CC-D-01 | 20      | 3/4        | 26,90   | 26,70  | 1,05  | 26,70  |             |               | 26,90  | 26.7 - 27.7         | 40,7   | 16,0                   | 42,7            | 60     | 28     | 8   | 8      | 8      | 6          |
| 745-01-0028-CC-D-01 | 20      |            |         |        | 1,11  |        |             |               | 28,24  | 27.5 - 29.0         | 41,6   | 16,0                   | 42,7            | 60     | 28     | 8   | 8      | 8      | 6          |
| 745-01-0030-CC-D-01 | 25      |            |         |        | 1,18  |        |             | 30,00         |        | 29.5 - 30.5         | 43,5   | 16,0                   | 42,7            | 60     | 28     | 8   | 8      | 8      | 6          |
| 745-01-0032-CC-D-01 | 25      |            |         |        | 1,26  |        |             |               | 32,00  | 31.5 - 32.5         | 45,5   | 16,0                   | 42,7            | 60     | 28     | 8   | 8      | 8      | 6          |
| 745-01-0034-CC-D-01 | 25      | 1          | 33,70   | 33,40  | 1,32  | 34,00  |             |               | 34,59  | 33.0 - 34.6         | 47,5   | 16,0                   | 42,7            | 60     | 28     | 8   | 8      | 8      | 6          |
| 745-01-0038-CC-D-01 | 32      |            |         |        | 1,50  |        |             | 38,00         |        | 37.5 - 38.5         | 51,5   | 16,0                   | 42,7            | 60     | 28     | 8   | 15     | 8      | 6          |
| 745-01-0040-CC-D-01 | 32      |            |         |        | 1,57  |        |             |               | 40,94  | 39.5 - 41.5         | 53,5   | 16,0                   | 42,7            | 60     | 28     | 8   | 15     | 8      | 6          |
| 745-01-0042-CC-D-01 | 32      | 1 1/4      | 42,40   | 42,40  | 1,66  | 42,70  |             |               |        | 41.9 - 43.0         | 56,0   | 16,0                   | 42,7            | 60     | 28     | 8   | 15     | 8      | 6          |
| 745-01-0044-CC-D-01 | 32      |            |         |        | 1,75  |        |             | 44,50         |        | 44.0 - 45.0         | 58,0   | 16,0                   | 42,7            | 60     | 28     | 8   | 15     | 8      | 6          |
| 745-01-0048-CC-D-01 | 40      | 1 1/2      | 48,30   | 48,30  | 1,90  | 48,60  |             |               |        | 47.8 - 49.0         | 62,0   | 16,0                   | 42,7            | 60     | 28     | 8   | 15     | 8      | 6          |
| 745-01-0050-CC-D-01 | 40      |            |         |        | 2,00  |        |             |               | 50,00  | 49.5 - 51.5         | 64,5   | 16,0                   | 42,7            | 60     | 28     | 8   | 15     | 8      | 6          |
| 745-01-0054-CC-D-01 | 50      |            |         |        | 2,13  |        |             |               | 54,05  | 53.4 - 54.6         | 69,6   | 16,0                   | 42,7            | 80     | 44     | 8   | 18     | 8      | 6          |
| 745-01-0057-CC-D-01 | 50      |            |         |        | 2,24  |        |             | 57,00         |        | 56.4 - 57.6         | 72,6   | 16,0                   | 42,7            | 80     | 44     | 8   | 18     | 8      | 6          |
| 745-01-0060-CC-D-01 | 50      | 2          | 60,30   | 60,30  | 2,38  | 60,50  |             |               |        | 59.0 - 61.5         | 76,0   | 16,0                   | 42,7            | 80     | 44     | 8   | 18     | 8      | 6          |
| 745-01-0063-CC-D-01 | 50      |            |         |        | 2,48  |        |             |               | 63,00  | 62.4 - 63.6         | 78,6   | 16,0                   | 42,7            | 80     | 44     | 8   | 18     | 8      | 6          |
| 745-01-0066-CC-D-01 | 65      |            |         |        | 2,63  |        |             |               | 66,75  | 65.2 - 67.3         | 82,3   | 14,0                   | 37,3            | 80     | 44     | 8   | 18     | 8      | 6          |
| 745-01-0069-CC-D-01 | 65      |            |         |        | 2,72  |        |             |               | 69,00  | 68.0 - 70.1         | 84,6   | 14,0                   | 37,3            | 80     | 44     | 8   | 18     | 8      | 6          |
| 745-01-0073-CC-D-01 | 65      | 2 1/2      |         | 73,00  | 2,88  |        |             |               |        | 71.5 - 74.1         | 88,6   | 14,0                   | 37,3            | 80     | 44     | 8   | 18     | 8      | 6          |
| 745-01-0076-CC-D-01 | 65      |            | 76,10   |        | 3,00  | 76,30  | 76,10       |               | 75,00  | 75.0 - 77.2         | 92,0   | 14,0                   | 37,3            | 80     | 44     | 8   | 18     | 8      | 6          |
| 745-01-0079-CC-D-01 | 80      |            |         |        | 3,15  |        |             |               | 79,85  | 78.8 - 80.8         | 101,0  | 14,0                   | 37,3            | 110    | 59     | 15  | 35     | 12     | 10         |
| 745-01-0084-CC-D-01 | 80      |            |         |        | 3,31  |        |             |               | 84,00  | 83.0 - 84.9         | 105,0  | 14,0                   | 37,3            | 110    | 59     | 15  | 35     | 12     | 10         |
| 745-01-0089-CC-D-01 | 80      | 3          | 88,90   | 88,90  | 3,50  | 89,10  | 88,90       |               | 90,00  | 87.8 - 91.0         | 110,0  | 14,0                   | 37,3            | 110    | 59     | 15  | 35     | 12     | 10         |
| 745-01-0101-CC-D-01 | 90      | 3 1/2      | 101,60  | 101,60 | 4,00  | 101,60 |             |               |        | 100.4 - 102.6       | 123,0  | 14,0                   | 37,3            | 110    | 59     | 15  | 35     | 12     | 10         |
| 745-01-0104-CC-D-01 | 100     |            |         |        | 4,09  |        |             |               |        | 103.0 - 104.8       | 125,0  | 14,0                   | 37,3            | 110    | 59     | 15  | 35     | 12     | 10         |
| 745-01-0106-CC-D-01 | 100     |            |         |        | 4,19  |        |             |               | 106,27 | 105.0 - 107.4       | 127,3  | 14,0                   | 37,3            | 110    | 59     | 15  | 35     | 12     | 10         |
| 745-01-0108-CC-D-01 | 100     |            |         |        | 4,25  |        |             | 108,00        |        | 106.5 - 108.5       | 129,0  | 14,0                   | 37,3            | 110    | 59     | 15  | 35     | 12     | 10         |
| 745-01-0114-CC-D-01 | 100     | 4          | 114,30  | 114,30 | 4,50  | 114,30 |             |               | 114,30 | 113.2 - 115.4       | 135,3  | 14,0                   | 37,3            | 110    | 59     | 15  | 35     | 12     | 10         |
| 745-01-0127-CC-D-01 | 125     |            |         |        | 5,00  |        |             |               |        | 125.6 - 128.4       | 149,0  | 14,0                   | 37,3            | 111    | 59     | 15  | 45     | 12     | 10         |
| 745-01-0129-CC-D-01 | 125     |            |         |        | 5,08  |        |             |               |        | 127.5 - 130.0       | 151,0  | 14,0                   | 37,3            | 111    | 59     | 15  | 45     | 12     | 10         |
| 745-01-0133-CC-D-01 | 125     |            |         |        | 5,24  |        |             | 133,00        | 131,67 | 131.6 - 134.4       | 155,0  | 14,0                   | 37,3            | 111    | 59     | 15  | 45     | 12     | 10         |
| 745-01-0139-CC-D-01 | 125     |            | 139,70  |        | 5,50  | 139,80 |             |               | 139,70 | 137.7 - 140.9       | 162,0  | 14,0                   | 37,3            | 111    | 59     | 15  | 45     | 12     | 10         |
| 745-01-0141-CC-D-01 | 125     | 5          |         | 141,30 | 5,63  |        |             |               | 140,20 | 139.7 - 142.5       | 163,3  | 14,0                   | 37,3            | 111    | 59     | 15  | 45     | 12     | 10         |
| 745-01-0154-CC-D-01 | 150     |            |         |        | 6,06  |        |             |               |        | 151.5 - 155.0       | 176,0  | 12,0                   | 32,0            | 111    | 59     | 15  | 45     | 12     | 10         |
| 745-01-0159-CC-D-01 | 150     |            |         |        | 6,26  |        |             | 159,00        | 157,68 | 156.5 - 160.0       | 181,0  | 12,0                   | 32,0            | 111    | 59     | 15  | 45     | 12     | 10         |
| 745-01-0165-CC-D-01 | 150     |            |         |        | 6,50  | 165,20 |             |               |        | 163.3 - 166.7       | 187,0  | 12,0                   | 32,0            | 111    | 59     | 15  | 45     | 12     | 10         |
| 745-01-0168-CC-D-01 | 150     | 6          | 168,30  | 168,30 | 6,63  |        |             |               | 170,00 | 166.6 - 170.0       | 190,3  | 12,0                   | 32,0            | 111    | 59     | 15  | 45     | 12     | 10         |
| 745-01-0180-CC-D-01 | 175     |            |         |        | 7,09  |        |             |               | 180,00 | 178.0 - 182.0       | 202,0  | 10,0                   | 26,7            | 111    | 59     | 15  | 45     | 12     | 10         |
| 745-01-0200-CC-D-01 | 200     |            |         |        | 7,87  |        |             |               | 200,00 | 198.2 - 201.5       | 226,6  | 8,0                    | 21,3            | 150    | 89     | 15  | 70     | 14     | 12         |
| 745-01-0204-CC-D-01 | 200     |            |         |        | 8,03  |        |             |               |        | 202.7 - 206.7       | 230,6  | 8,0                    | 21,3            | 150    | 89     | 15  | 70     | 14     | 12         |
| 745-01-0216-CC-D-01 | 200     |            |         |        | 8,52  | 216,30 |             |               |        | 214.5 - 218.3       | 243,0  | 8,0                    | 21,3            | 150    | 89     | 15  | 70     | 14     | 12         |
| 745-01-0219-CC-D-01 | 200     | 8          | 219,10  | 219,10 | 8,63  |        |             | 219,00        |        | 217.0 - 221.0       | 245,7  | 8,0                    | 21,3            | 150    | 89     | 15  | 70     | 14     | 12         |
| 745-01-0254-CC-D-01 | 250     |            |         |        | 10,00 |        |             |               |        | 251.4 - 256.6       | 280,6  | 8,0                    | 21,3            | 150    | 89     | 15  | 70     | 14     | 12         |
| 745-01-0267-CC-D-01 | 250     |            |         |        | 10,53 | 267,40 | 267,00      |               |        | 264.8 - 270.0       | 294,0  | 8,0                    | 21,3            | 150    | 89     | 15  | 70     | 14     | 12         |
| 745-01-0273-CC-D-01 | 250     | 10         | 273,00  | 273,10 | 10,75 |        |             |               | 274,00 | 270.4 - 275.6       | 299,7  | 8,0                    | 21,3            | 150    | 89     | 15  | 70     | 14     | 12         |
| 745-01-0304-CC-D-01 | 300     |            |         |        | 11,97 |        |             |               |        | 301.5 - 306.6       | 330,6  | 7,0                    | 18,7            | 150    | 89     | 15  | 70     | 14     | 12         |
| 745-01-0318-CC-D-01 | 300     |            |         |        | 12,54 | 318,50 |             |               |        | 316.0 - 322.0       | 345,0  | 7,0                    | 18,7            | 150    | 89     | 15  | 70     | 14     | 12         |
| 745-01-0323-CC-D-01 | 300     | 12         | 323,90  | 323,90 | 12,75 |        |             | 323,90        | 326,00 | 321.0 - 327.4       | 350,5  | 7,0                    | 18,7            | 150    | 89     | 15  | 70     | 14     | 12         |
| 745-01-0355-CC-D-01 | 350     | 14         | 355,60  | 355,60 | 14,00 | 355,60 |             |               | 355,60 | 352.0 - 360.0       | 382,2  | 7,0                    | 18,7            | 150    | 89     | 15  | 70     | 14     | 12         |
| 745-01-0406-CC-D-01 | 400     | 16         | 406,40  | 406,40 | 16,00 | 406,40 |             |               | 406,40 | 402.0 - 410.0       | 433,0  | 6,0                    | 16,0            | 150    | 89     | 15  | 70     | 14     | 12         |

CC = Material D = Rubber More detailed LNS information on page 15

Note: the above tables are guides to the most common sizes. Couplings to suit specific diameters not listed may be manufactured to order. Please contact our sales department for further details. Minimum burst is 1.5 times working pressure. Figures are based on typical values for standard wall carbon steel pipe. For use on thin or soft pipe materials such as thin wall stainless, copper alloy or plastic (by way of example only) please check with us first.



Working pressure for marine application.  
Minimum burst pressure is 4 times working pressure.

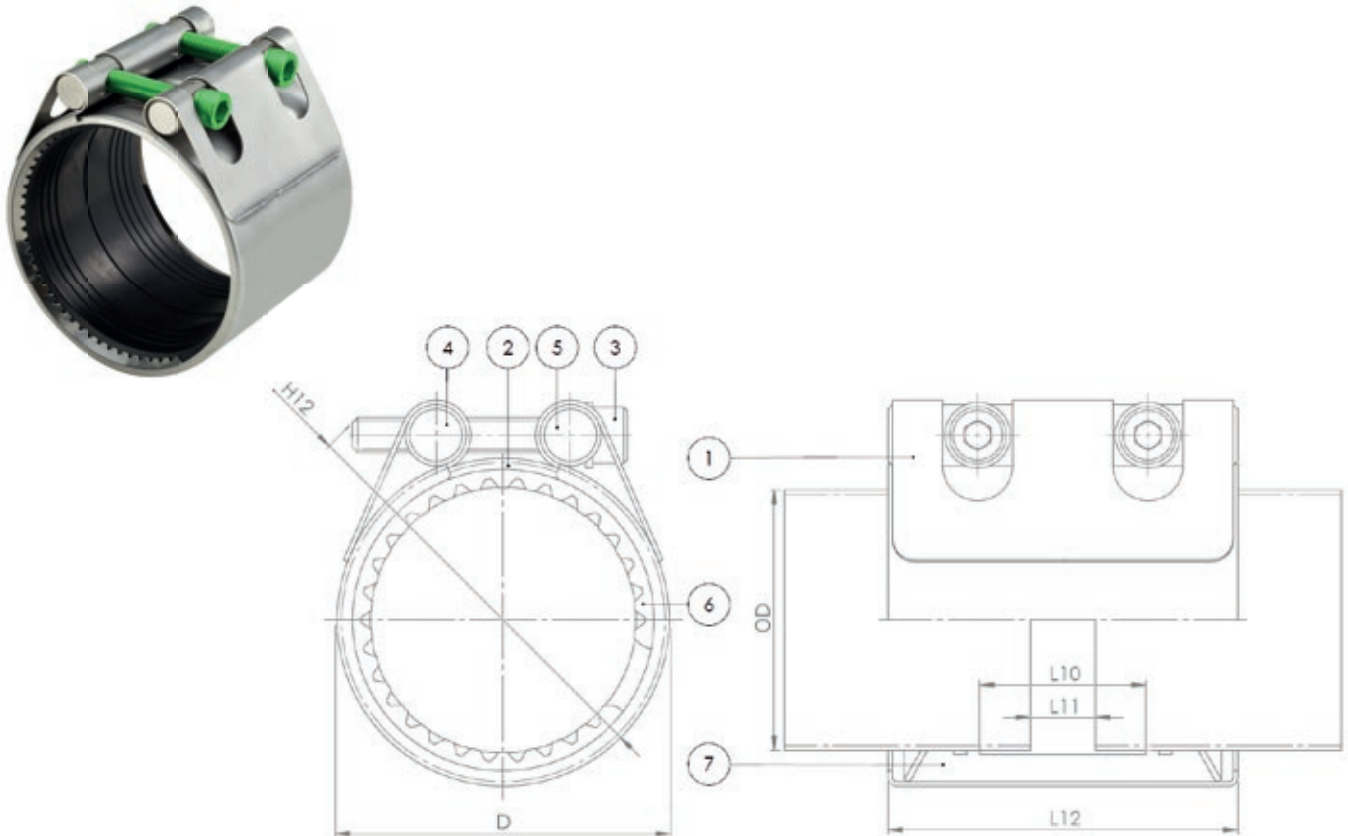


Working pressure for industrial and land-based applications.  
Minimum burst pressure is 1½ times working pressure.

# Repico® GRIP COUPLINGS

## Repico® GLP – GRIP TYPE COUPLING (TENSILE / AXIAL RESTRAINT) TO CONNECT ALL METAL PIPES

The Repico® GLP is the economical low pressure version in the range. It seals against 6 bar (87 psi) and does not have progressive sealing or anchoring. It is available with EPDM and NBR seals. Max. operating temperature +40° C. Main components of stainless steel 316. Max. angular deflection 5° for DN 15-50, 4° for DN 65-175 and 2° for DN >= 200. A limited range of sizes is currently available. Repico® GLP, DN 20 up to DN 125



|   |              |                                   |
|---|--------------|-----------------------------------|
| 1 | Body         | Stainless steel 316               |
| 2 | Slide plate  | Stainless steel 316               |
| 3 | Bolt         | Stainless steel 316 / PTFE coated |
| 4 | Nut          | Stainless steel 316               |
| 5 | Washer       | Stainless steel 316               |
| 6 | Grip segment | Stainless steel 301H              |
| 7 | Sealing      | EPDM or NBR rubber                |

| Article number      | Pipe DN | Pipe OD    |         |        |      |        |             |               |        | Coupling range (mm) | D (mm) | Nominal pressure (bar) | Length          |        |        | Gap | Torque | Thread | Allen head |        |
|---------------------|---------|------------|---------|--------|------|--------|-------------|---------------|--------|---------------------|--------|------------------------|-----------------|--------|--------|-----|--------|--------|------------|--------|
|                     |         | Nom. Diam. | DIN/ISO | ASTM   | ASTM | KS/JIS | CuNi metric | CuNi imperial | Other  |                     |        |                        | Industry SF 1,5 | L12 mm | L10 mm |     |        |        |            | L11 mm |
|                     |         | mm         | mm      | inch   | mm   | mm     | mm          | mm            | mm     |                     |        |                        | mm              | mm     | mm     |     |        |        |            | mm     |
| 745-10-0027-CC-D-01 | 20      | 3/4        | 26,90   | 26,70  | 1,05 | 26,70  |             |               | 26,90  | 26.7 - 27.7         | 40,7   | 6,0                    | 60              | 28     | 8      | 8   | 8      | 5      |            |        |
| 745-10-0034-CC-D-01 | 25      | 1          | 33,70   | 33,40  | 1,32 | 34,00  |             | 34,59         | 33,70  | 33.0 - 34.6         | 47,5   | 6,0                    | 60              | 28     | 8      | 8   | 8      | 5      |            |        |
| 745-10-0042-CC-D-01 | 32      | 1 1/4      | 42,40   | 42,40  | 1,66 | 42,70  |             |               |        | 41.9 - 43.0         | 56,0   | 6,0                    | 60              | 28     | 8      | 15  | 8      | 5      |            |        |
| 745-10-0048-CC-D-01 | 40      | 1 1/2      | 48,30   | 48,30  | 1,90 | 48,60  |             |               |        | 47.8 - 49.0         | 62,0   | 6,0                    | 60              | 28     | 8      | 15  | 8      | 5      |            |        |
| 745-10-0060-CC-D-01 | 50      | 2          | 60,30   | 60,30  | 2,38 | 60,50  |             |               |        | 59.0 - 61.5         | 76,0   | 6,0                    | 80              | 44     | 8      | 18  | 8      | 5      |            |        |
| 745-10-0076-CC-D-01 | 65      |            | 76,10   |        | 3,00 | 76,30  | 76,10       |               | 75,00  | 75.0 - 77.2         | 92,0   | 6,0                    | 80              | 44     | 8      | 18  | 8      | 8      |            |        |
| 745-10-0089-CC-D-01 | 80      | 3          | 88,90   | 88,90  | 3,50 | 89,10  | 88,90       |               | 90,00  | 87.8 - 91.0         | 109,0  | 6,0                    | 110             | 59     | 15     | 35  | 12     | 8      |            |        |
| 745-10-0114-CC-D-01 | 100     | 4          | 114,30  | 114,30 | 4,50 | 114,30 |             |               |        | 113.2 - 115.4       | 134,0  | 6,0                    | 110             | 59     | 15     | 35  | 12     | 8      |            |        |
| 745-10-0139-CC-D-01 | 125     |            | 139,70  |        | 5,50 | 139,80 |             |               | 139,70 | 137.7 - 140.9       | 160,0  | 6,0                    | 111             | 59     | 15     | 45  | 12     | 8      |            |        |

CC = Material D = Rubber More detailed LNS information on page 15

Note: the above tables are guides to the most common sizes. Couplings to suit specific diameters not listed may be manufactured to order. Please contact our sales department for further details. Minimum burst is 1.5 times working pressure. Figures are based on typical values for standard wall carbon steel pipe. For use on thin or soft pipe materials such as thin wall stainless, copper alloy or plastic (by way of example only) please check with us first.

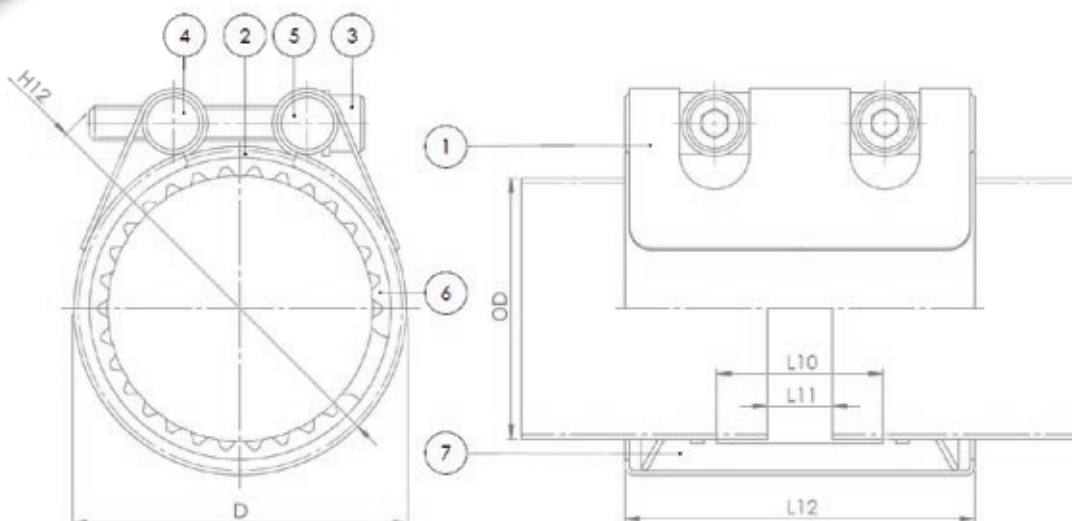


Working pressure for industrial and land-based applications.  
Minimum burst pressure is 1½ times working pressure.

# Repico® GRIP COUPLINGS

## Repico® GMP – GRIP TYPE COUPLING (TENSILE / AXIAL RESTRAINT) TO CONNECT ALL METAL PIPES

The Repico® GMP is the mid-range version in the range. It seals against 42.7 bar (620 psi) maximum up until DN 20 (3/4") and has progressive sealing and anchoring. It is available with EPDM and NBR seals. Main components of stainless steel 316. Max. angular deflection 5° for DN 15-50, 4° for DN 65-175 and 2° for DN >= 200. Repico® GMP, DN 15 up to DN 200 (1/2" up to 8")



|   |              |                      |
|---|--------------|----------------------|
| 1 | Body         | Stainless steel 316  |
| 2 | Slide plate  | Stainless steel 316  |
| 3 | Bolt         | Stainless steel 316  |
| 4 | Nut          | Stainless steel 316  |
| 5 | Washer       | Stainless steel 316  |
| 6 | Grip segment | Stainless steel 301H |
| 7 | Sealing      | EPDM or NBR rubber   |
| 8 | Support ring | Stainless steel 301H |

| Article number      | Pipe DN | Nom. Diam. | Pipe OD |       |       |        |             |               |       | Coupling range (mm) | D (mm) | Nominal pressure (bar)<br>Industry SF 1,5 | Length |        | Gap    | Torque | Thread | Allen head |
|---------------------|---------|------------|---------|-------|-------|--------|-------------|---------------|-------|---------------------|--------|---|--------|--------|--------|--------|--------|------------|
|                     |         |            | DIN/ISO | ASTM  | ASTM  | KS/JIS | CuNi metric | CuNi imperial | Other |                     |        |   | L12 mm | L10 mm | L11 mm | Nm     | M      | mm         |
|                     |         |            | mm      | mm    | inch  | mm     | mm          | mm            | mm    |                     |        |   |        |        |        |        |        |            |
| 745-03-0020-CC-D-01 | 15      |            |         |       | 0,787 |        |             |               | 20,0  | 19.5 - 20.5         | 33,5   | 42,7                                      | 60     | 28     | 8      | 7      | 6      | 5          |
| 745-03-0021-CC-D-01 | 15      | 1/2        | 21,3    | 21,3  | 0,840 | 21,7   |             |               | 21,3  | 21.2 - 22.2         | 35,2   | 42,7                                      | 60     | 28     | 8      | 7      | 6      | 5          |
| 745-03-0025-CC-D-01 | 20      |            |         |       | 0,984 |        |             |               | 25,0  | 24.5 - 25.5         | 38,5   | 42,7                                      | 60     | 28     | 8      | 8      | 8      | 6          |
| 745-03-0027-CC-D-01 | 20      | 3/4        | 26,9    | 26,7  | 1,050 | 26,7   |             |               | 26,9  | 26.7 - 27.7         | 40,7   | 42,7                                      | 60     | 28     | 8      | 8      | 8      | 6          |
| 745-03-0028-CC-D-01 | 20      |            |         |       | 1,110 |        |             | 28,24         |       | 27.5 - 29.0         | 41,6   | 42,7                                      | 60     | 28     | 8      | 8      | 8      | 6          |
| 745-03-0030-CC-D-01 | 25      |            |         |       | 1,181 |        | 30          |               |       | 29.5 - 30.5         | 43,5   | 42,7                                      | 60     | 28     | 8      | 8      | 8      | 6          |
| 745-03-0032-CC-D-01 | 25      |            |         |       | 1,260 |        |             |               | 32,0  | 31.5 - 32.5         | 45,5   | 39,0                                      | 60     | 28     | 8      | 8      | 8      | 6          |
| 745-03-0034-CC-D-01 | 25      | 1          | 33,7    | 33,4  | 1,315 | 34,0   |             | 34,59         | 33,7  | 33.0 - 34.6         | 47,5   | 39,0                                      | 60     | 28     | 8      | 8      | 8      | 6          |
| 745-03-0038-CC-D-01 | 32      |            |         |       | 1,496 |        | 38,0        |               | 38,0  | 37.5 - 38.5         | 51,5   | 35,0                                      | 60     | 28     | 8      | 15     | 8      | 6          |
| 745-03-0040-CC-D-01 | 32      |            |         |       | 1,575 |        |             | 40,94         | 40,0  | 39.5 - 41.5         | 53,5   | 35,0                                      | 60     | 28     | 8      | 15     | 8      | 6          |
| 745-03-0042-CC-D-01 | 32      | 1 1/4      | 42,4    | 42,4  | 1,660 | 42,7   |             |               |       | 41.9 - 43.0         | 56,0   | 35,0                                      | 60     | 28     | 8      | 15     | 8      | 6          |
| 745-03-0044-CC-D-01 | 32      |            |         |       | 1,752 |        | 44,5        |               | 44,5  | 44.0 - 45.0         | 58,0   | 35,0                                      | 60     | 28     | 8      | 15     | 8      | 6          |
| 745-03-0048-CC-D-01 | 40      | 1 1/2      | 48,3    | 48,3  | 1,900 | 48,6   |             |               |       | 47.8 - 49.0         | 62,0   | 35,0                                      | 60     | 28     | 8      | 15     | 8      | 6          |
| 745-03-0050-CC-D-01 | 40      |            |         |       | 2,000 |        |             |               | 50,0  | 49.5 - 51.5         | 64,5   | 35,0                                      | 60     | 28     | 8      | 15     | 8      | 6          |
| 745-03-0054-CC-D-01 | 50      |            |         |       | 2,126 |        |             | 54,05         | 54,0  | 53.4 - 54.6         | 69,6   | 35,0                                      | 80     | 44     | 8      | 18     | 8      | 6          |
| 745-03-0057-CC-D-01 | 50      |            |         |       | 2,244 |        | 57,0        |               | 57,0  | 56.4 - 57.6         | 72,6   | 35,0                                      | 80     | 44     | 8      | 18     | 8      | 6          |
| 745-03-0060-CC-D-01 | 50      | 2          | 60,3    | 60,3  | 2,375 | 60,5   |             |               |       | 59.0 - 61.5         | 76,0   | 35,0                                      | 80     | 44     | 8      | 18     | 8      | 6          |
| 745-03-0063-CC-D-01 | 50      |            |         |       | 2,480 |        |             |               | 63,0  | 62.4 - 63.6         | 78,6   | 35,0                                      | 80     | 44     | 8      | 18     | 8      | 6          |
| 745-03-0066-CC-D-01 | 65      |            |         |       | 2,626 |        | 66,75       |               |       | 65.2 - 67.3         | 82,3   | 35,0                                      | 80     | 44     | 8      | 18     | 8      | 6          |
| 745-03-0069-CC-D-01 | 65      |            |         |       | 2,717 |        |             |               | 69,0  | 68.0 - 70.1         | 84,6   | 33,0                                      | 80     | 44     | 8      | 18     | 8      | 6          |
| 745-03-0073-CC-D-01 | 65      | 2 1/2      |         | 73,0  | 2,875 |        |             |               |       | 71.5 - 74.1         | 88,6   | 32,0                                      | 80     | 44     | 8      | 18     | 8      | 6          |
| 745-03-0076-CC-D-01 | 65      |            | 76,1    |       | 3,004 | 76,3   | 76,1        |               | 75,0  | 75.0 - 77.2         | 92,0   | 32,0                                      | 80     | 44     | 8      | 18     | 8      | 6          |
| 745-03-0079-CC-D-01 | 80      |            |         |       | 3,146 |        | 79,85       |               |       | 78.8 - 80.8         | 101,0  | 29,0                                      | 110    | 59     | 15     | 35     | 12     | 10         |
| 745-03-0084-CC-D-01 | 80      |            |         |       | 3,307 |        |             |               | 84,0  | 83.0 - 84.9         | 105,0  | 27,0                                      | 110    | 59     | 15     | 35     | 12     | 10         |
| 745-03-0089-CC-D-01 | 80      | 3          | 88,9    | 88,9  | 3,500 | 89,1   | 88,9        |               | 90,0  | 87.8 - 91.0         | 110,0  | 23,0                                      | 110    | 59     | 15     | 35     | 12     | 10         |
| 745-03-0101-CC-D-01 | 90      | 3 1/2      | 101,6   | 101,6 | 4,000 | 101,6  |             |               |       | 100.4 - 102.6       | 123,0  | 23,0                                      | 110    | 59     | 15     | 35     | 12     | 10         |
| 745-03-0104-CC-D-01 | 100     |            |         |       | 4,094 |        |             |               |       | 103.0 - 104.8       | 125,0  | 23,0                                      | 110    | 59     | 15     | 35     | 12     | 10         |
| 745-03-0106-CC-D-01 | 100     |            |         |       | 4,185 |        | 106,3       |               |       | 105.0 - 107.4       | 127,3  | 23,0                                      | 110    | 59     | 15     | 35     | 12     | 10         |
| 745-03-0108-CC-D-01 | 100     |            |         |       | 4,252 |        | 108,0       |               |       | 106.5 - 108.5       | 129,0  | 22,0                                      | 110    | 59     | 15     | 35     | 12     | 10         |
| 745-03-0114-CC-D-01 | 100     | 4          | 114,3   | 114,3 | 4,500 | 114,3  |             |               | 114,3 | 113.2 - 115.4       | 135,3  | 20,0                                      | 110    | 59     | 15     | 35     | 12     | 10         |
| 745-03-0127-CC-D-01 | 125     |            |         |       | 5,000 |        |             |               |       | 125.6 - 128.4       | 149,0  | 20,0                                      | 111    | 59     | 15     | 45     | 12     | 10         |
| 745-03-0129-CC-D-01 | 125     |            |         |       | 5,079 |        |             |               |       | 127.5 - 130.0       | 151,0  | 20,0                                      | 111    | 59     | 15     | 45     | 12     | 10         |
| 745-03-0133-CC-D-01 | 125     |            |         |       | 5,236 |        | 133,0       | 131,7         |       | 131.6 - 134.4       | 155,0  | 20,0                                      | 111    | 59     | 15     | 45     | 12     | 10         |
| 745-03-0139-CC-D-01 | 125     |            | 139,7   |       | 5,504 | 139,8  |             |               | 139,7 | 137.7 - 140.9       | 162,0  | 17,0                                      | 111    | 59     | 15     | 45     | 12     | 10         |
| 745-03-0141-CC-D-01 | 125     | 5          |         | 141,3 | 5,630 |        |             |               | 140,2 | 139.7 - 142.5       | 163,3  | 17,0                                      | 111    | 59     | 15     | 45     | 12     | 10         |
| 745-03-0154-CC-D-01 | 150     |            |         |       | 6,063 |        |             |               |       | 151.5 - 155.0       | 176,0  | 17,0                                      | 111    | 59     | 15     | 45     | 12     | 10         |
| 745-03-0159-CC-D-01 | 150     |            |         |       | 6,260 |        | 159,0       | 157,7         | 160,0 | 156.5 - 160.0       | 181,0  | 17,0                                      | 111    | 59     | 15     | 45     | 12     | 10         |
| 745-03-0165-CC-D-01 | 150     |            |         |       | 6,504 | 165,2  |             |               |       | 163.3 - 166.7       | 187,0  | 17,0                                      | 111    | 59     | 15     | 45     | 12     | 10         |
| 745-03-0168-CC-D-01 | 150     | 6          | 168,3   | 168,3 | 6,625 |        |             |               | 170,0 | 166.6 - 170.0       | 190,3  | 17,0                                      | 111    | 59     | 15     | 45     | 12     | 10         |
| 745-03-0180-CC-D-01 | 175     |            |         |       | 7,087 |        |             |               | 180,0 | 178.0 - 182.0       | 202,0  | 17,0                                      | 111    | 59     | 15     | 45     | 12     | 10         |
| 745-03-0200-CC-D-01 | 200     |            |         |       | 7,874 |        |             |               | 200,0 | 198.2 - 201.5       | 226,6  | 17,0                                      | 150    | 89     | 15     | 70     | 14     | 12         |
| 745-03-0204-CC-D-01 | 200     |            |         |       | 8,031 |        |             |               |       | 202.7 - 206.7       | 230,6  | 17,0                                      | 150    | 89     | 15     | 70     | 14     | 12         |
| 745-03-0216-CC-D-01 | 200     |            |         |       | 8,516 | 216,3  |             |               |       | 214.5 - 218.3       | 243,0  | 17,0                                      | 150    | 89     | 15     | 70     | 14     | 12         |
| 745-03-0219-CC-D-01 | 200     | 8          | 219,1   | 219,1 | 8,625 |        | 219,0       |               |       | 217.0 - 221.0       | 245,7  | 17,0                                      | 150    | 89     | 15     | 70     | 14     | 12         |

CC = Material D = Rubber More detailed LNS information on page 15

Note: the above tables are guides to the most common sizes. Couplings to suit specific diameters not listed may be manufactured to order. Please contact our sales department for further details. Minimum burst is 1.5 times working pressure. Figures are based on typical values for standard wall carbon steel pipe. For use on thin or soft pipe materials such as thin wall stainless, copper alloy or plastic (by way of example only) please check with us first.

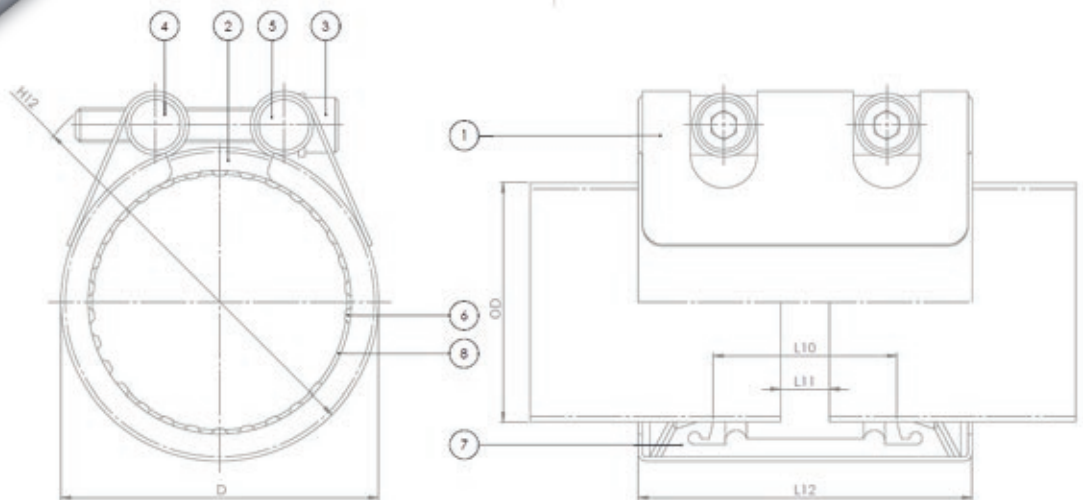


Working pressure for industrial and land-based applications.  
Minimum burst pressure is 1½ times working pressure.

# Repico® GRIP COUPLINGS

## Repico® GF – GRIP TYPE COUPLING (TENSILE / AXIAL RESTRAINT) TO CONNECT ALL METAL PIPES

The Repico® GF is the high pressure version in the range. It seals against 42.7 bar (620 psi) maximum up until DN 150 (6") extending the higher pressure up to bigger sizes than the G type. It's available with EPDM, NBR, Silicone and FKM seals. Main components of stainless steel 316. Max. angular deflection 5° for DN 15-50, 4° for DN 65-175 and 2° for DN >= 200. Repico® GF, DN 65 up to DN 300



|   |              |                                   |
|---|--------------|-----------------------------------|
| 1 | Body         | Stainless steel 316               |
| 2 | Slide plate  | Stainless steel 316               |
| 3 | Bolt         | Stainless steel 316 / PTFE coated |
| 4 | Nut          | Stainless steel 316               |
| 5 | Washer       | Stainless steel 316               |
| 6 | Grip segment | Stainless steel 301H              |
| 7 | Sealing      | EPDM, NBR, Silicone or FKM rubber |
| 8 | Support ring | Stainless steel 301H              |

| Article number      | Pipe DN | Nom. Diam. | Pipe OD |        |       |        |             |               |        | Coupling range (mm) | D (mm)        | Nominal pressure (bar) |                 | Length |        | Gap    | Torque | Thread | Allen head |    |
|---------------------|---------|------------|---------|--------|-------|--------|-------------|---------------|--------|---------------------|---------------|------------------------|-----------------|--------|--------|--------|--------|--------|------------|----|
|                     |         |            | DIN/ISO | ASTM   | ASTM  | KS/JIS | CuNi metric | CuNi imperial | Other  |                     |               | Marine SF 4            | Industry SF 1,5 | L12 mm | L10 mm | L11 mm | Nm     | M      | mm         |    |
|                     |         |            | mm      | mm     | inch  | mm     | mm          | mm            | mm     |                     |               |                        |                 |        |        |        |        |        |            |    |
| 745-05-0066-CC-D-01 | 65      |            |         |        | 2,63  |        |             |               | 66,75  |                     | 65.2 - 67.3   | 83,3                   | 16,0            | 42,7   | 81     | 44     | 8      | 18     | 8          | 6  |
| 745-05-0069-CC-D-01 | 65      |            |         |        | 2,72  |        |             |               | 69,00  |                     | 68.0 - 70.1   | 85,6                   | 16,0            | 42,7   | 81     | 44     | 8      | 18     | 8          | 6  |
| 745-05-0073-CC-D-01 | 65      | 2 1/2      |         | 73,00  | 2,88  |        |             |               |        |                     | 71.5 - 74.1   | 89,6                   | 16,0            | 42,7   | 81     | 44     | 8      | 18     | 8          | 6  |
| 745-05-0076-CC-D-01 | 65      |            | 76,10   |        | 3,00  | 76,30  | 76,10       |               |        | 75,00               | 75.0 - 77.2   | 93,0                   | 16,0            | 42,7   | 81     | 44     | 8      | 18     | 8          | 6  |
| 745-05-0079-CC-D-01 | 80      |            |         |        | 3,15  |        |             |               | 79,85  |                     | 78.8 - 80.8   | 102,0                  | 16,0            | 42,7   | 111    | 59     | 15     | 35     | 12         | 10 |
| 745-05-0084-CC-D-01 | 80      |            |         |        | 3,31  |        |             |               |        | 84,00               | 83.0 - 84.9   | 106,0                  | 16,0            | 42,7   | 111    | 59     | 15     | 35     | 12         | 10 |
| 745-05-0089-CC-D-01 | 80      | 3          | 88,90   | 88,90  | 3,50  | 89,10  | 88,90       |               |        | 90,00               | 87.8 - 91.0   | 111,0                  | 16,0            | 42,7   | 111    | 59     | 15     | 35     | 12         | 10 |
| 745-05-0101-CC-D-01 | 90      | 3 1/2      | 101,60  | 101,60 | 4,00  | 101,60 |             |               |        |                     | 100.4 - 102.6 | 124,0                  | 16,0            | 42,7   | 111    | 59     | 15     | 35     | 12         | 10 |
| 745-05-0104-CC-D-01 | 100     |            |         |        | 4,09  |        |             |               |        |                     | 103.0 - 104.8 | 126,0                  | 16,0            | 42,7   | 111    | 59     | 15     | 35     | 12         | 10 |
| 745-05-0106-CC-D-01 | 100     |            |         |        | 4,19  |        |             |               | 106,27 |                     | 105.0 - 107.4 | 128,3                  | 16,0            | 42,7   | 111    | 59     | 15     | 35     | 12         | 10 |
| 745-05-0108-CC-D-01 | 100     |            |         |        | 4,25  |        |             |               | 108,00 |                     | 106.5 - 108.5 | 130,0                  | 16,0            | 42,7   | 111    | 59     | 15     | 35     | 12         | 10 |
| 745-05-0114-CC-D-01 | 100     | 4          | 114,30  | 114,30 | 4,50  | 114,30 |             |               |        | 114,30              | 113.2 - 115.4 | 136,3                  | 16,0            | 42,7   | 111    | 59     | 15     | 35     | 12         | 10 |
| 745-05-0127-CC-D-01 | 125     |            |         |        | 5,00  |        |             |               |        |                     | 125.6 - 128.4 | 150,0                  | 16,0            | 42,7   | 113    | 59     | 15     | 45     | 12         | 10 |
| 745-05-0129-CC-D-01 | 125     |            |         |        | 5,08  |        |             |               |        |                     | 127.5 - 130.0 | 152,0                  | 16,0            | 42,7   | 113    | 59     | 15     | 45     | 12         | 10 |
| 745-05-0133-CC-D-01 | 125     |            |         |        | 5,24  |        |             |               | 133,00 | 131,67              | 131.6 - 134.4 | 156,0                  | 16,0            | 42,7   | 113    | 59     | 15     | 45     | 12         | 10 |
| 745-05-0139-CC-D-01 | 125     |            | 139,70  |        | 5,50  | 139,80 |             |               |        | 139,70              | 137.7 - 140.9 | 163,0                  | 16,0            | 42,7   | 113    | 59     | 15     | 45     | 12         | 10 |
| 745-05-0141-CC-D-01 | 125     | 5          |         | 141,30 | 5,63  |        |             |               |        | 140,00              | 139.7 - 142.5 | 164,3                  | 16,0            | 42,7   | 113    | 59     | 15     | 45     | 12         | 10 |
| 745-05-0154-CC-D-01 | 150     |            |         |        | 6,06  |        |             |               |        |                     | 151.5 - 155.0 | 177,0                  | 16,0            | 42,7   | 113    | 59     | 15     | 45     | 12         | 10 |
| 745-05-0159-CC-D-01 | 150     |            |         |        | 6,26  |        |             |               | 159,00 | 157,68              | 156.5 - 160.0 | 182,0                  | 16,0            | 42,7   | 113    | 59     | 15     | 45     | 12         | 10 |
| 745-05-0165-CC-D-01 | 150     |            |         |        | 6,50  | 165,20 |             |               |        |                     | 163.3 - 166.7 | 188,0                  | 16,0            | 42,7   | 113    | 59     | 15     | 45     | 12         | 10 |
| 745-05-0168-CC-D-01 | 150     | 6          | 168,30  | 168,30 | 6,63  |        |             |               |        | 168,30              | 166.6 - 170.0 | 191,3                  | 16,0            | 42,7   | 113    | 59     | 15     | 45     | 12         | 10 |
| 745-05-0200-CC-D-01 | 200     |            |         |        | 7,87  |        |             |               |        | 200,00              | 198.2 - 201.5 | 227,6                  | 12,0            | 32,0   | 152    | 89     | 15     | 70     | 14         | 12 |
| 745-05-0204-CC-D-01 | 200     |            |         |        | 8,03  |        |             |               |        |                     | 202.7 - 206.7 | 231,6                  | 12,0            | 32,0   | 152    | 89     | 15     | 70     | 14         | 12 |
| 745-05-0216-CC-D-01 | 200     |            |         |        | 8,52  | 216,30 |             |               |        |                     | 214.5 - 218.3 | 244,0                  | 12,0            | 32,0   | 152    | 89     | 15     | 70     | 14         | 12 |
| 745-05-0219-CC-D-01 | 200     | 8          | 219,10  | 219,10 | 8,63  |        |             |               | 219,00 | 219,00              | 217.0 - 221.0 | 246,7                  | 12,0            | 32,0   | 152    | 89     | 15     | 70     | 14         | 12 |
| 745-05-0254-CC-D-01 | 250     |            |         |        | 10,00 |        |             |               |        |                     | 251.4 - 256.6 | 281,6                  | 10,0            | 26,7   | 152    | 89     | 15     | 70     | 14         | 12 |
| 745-05-0267-CC-D-01 | 250     |            |         |        | 10,53 | 267,40 | 267,00      |               |        |                     | 264.8 - 270.0 | 295,0                  | 10,0            | 26,7   | 152    | 89     | 15     | 70     | 14         | 12 |
| 745-05-0273-CC-D-01 | 250     | 10         | 273,00  | 273,10 | 10,75 |        |             |               |        | 273,00              | 270.4 - 275.6 | 300,7                  | 10,0            | 26,7   | 152    | 89     | 15     | 70     | 14         | 12 |
| 745-05-0304-CC-D-01 | 300     |            |         |        | 11,97 |        |             |               |        |                     | 301.5 - 306.6 | 331,6                  | 10,0            | 26,7   | 152    | 89     | 15     | 70     | 14         | 12 |
| 745-05-0318-CC-D-01 | 300     |            |         |        | 12,54 | 318,50 |             |               |        |                     | 316.0 - 322.0 | 346,0                  | 10,0            | 26,7   | 152    | 89     | 15     | 70     | 14         | 12 |
| 745-05-0323-CC-D-01 | 300     | 12         | 323,90  | 323,90 | 12,75 |        | 323,90      |               |        | 323,90              | 321.0 - 327.4 | 351,5                  | 10,0            | 26,7   | 152    | 89     | 15     | 70     | 14         | 12 |

CC = Material D = Rubber More detailed LNS information on page 15

Note: the above tables are guides to the most common sizes. Couplings to suit specific diameters not listed may be manufactured to order. Please contact our sales department for further details. Minimum burst is 1.5 times working pressure. Figures are based on typical values for standard wall carbon steel pipe. For use on thin or soft pipe materials such as thin wall stainless, copper alloy or plastic (by way of example only) please check with us first.



Working pressure for marine application.  
Minimum burst pressure is 4 times working pressure.

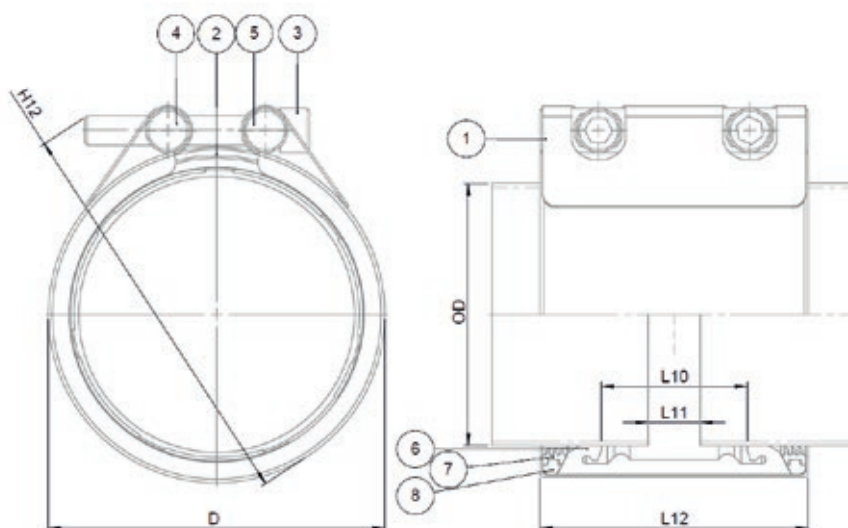


Working pressure for industrial and land-based applications.  
Minimum burst pressure is 1½ times working pressure.

# Repico® GRIP COUPLINGS

## Repico® GP – GRIP PLASTIC TYPE COUPLING (TENSILE / AXIAL RESTRAINT) TO CONNECT ALL PLASTIC PIPES

The Repico® GP is the grip plastic version in the range. Pipes made of all types of plastic can be connected. It seals against 16 bar (232 Psi). It's available with EPDM, NBR, Silicone and FKM seals. Main components of stainless steel 316. Max. angular deflection 5° for DN 15-50, 4° for DN 65-175 and 2° for DN >= 200. Repico® GP, DN 32 up to DN 300.



|   |              |                                   |
|---|--------------|-----------------------------------|
| 1 | Body         | Stainless steel 316               |
| 2 | Slide plate  | Stainless steel 316               |
| 3 | Bolt         | Stainless steel 316 / PTFE coated |
| 4 | Nut          | Stainless steel 316               |
| 5 | Washer       | Stainless steel 316               |
| 6 | Grip segment | Stainless steel 316               |
| 7 | Sealing      | EPDM or NBR rubber                |
| 8 | Grip support | Thermo Plastic Urethane           |



| Article number      | Pipe DN | Pipe OD | Coupling range (mm) | D (mm) | Nominal pressure (bar) | Length          |        | Gap    | Torque | Thread | Allen head |
|---------------------|---------|---------|---------------------|--------|------------------------|-----------------|--------|--------|--------|--------|------------|
|                     |         |         |                     |        |                        | L12 mm          | L10 mm | L11 mm | Nm     | M      | mm         |
|                     |         |         |                     |        |                        | Industry SF 1,5 |        |        |        |        |            |
| 745-11-0040-CC-D-01 | 32      | 40      | 39,5-41,5           | 55,60  | 16,0                   | 60              | 28     | 8      | 15     | 8      | 6          |
| 745-11-0050-CC-D-01 | 40      | 50      | 49,5-51,5           | 65,60  | 16,0                   | 60              | 28     | 8      | 15     | 8      | 6          |
| 745-11-0063-CC-D-01 | 50      | 63      | 62,4-63,6           | 83,20  | 16,0                   | 80              | 44     | 8      | 18     | 8      | 6          |
| 745-11-0075-CC-D-01 | 65      | 75      | 74,0-76,2           | 97,50  | 16,0                   | 80              | 44     | 8      | 18     | 8      | 6          |
| 745-11-0090-CC-D-01 | 80      | 90      | 87,8-91,0           | 117,66 | 16,0                   | 110             | 59     | 15     | 35     | 12     | 10         |
| 745-11-0110-CC-D-01 | 100     | 110     | 108,5-110,5         | 137,86 | 16,0                   | 110             | 59     | 15     | 35     | 12     | 10         |
| 745-11-0125-CC-D-01 | 125     | 125     | 123,6-126,4         | 153,04 | 16,0                   | 110             | 59     | 15     | 45     | 12     | 10         |
| 745-11-0140-CC-D-01 | 125     | 140     | 138,7-141,9         | 170,22 | 16,0                   | 111             | 59     | 15     | 45     | 12     | 10         |
| 745-11-0160-CC-D-01 | 150     | 160     | 157,5-161,0         | 189,48 | 16,0                   | 111             | 59     | 15     | 45     | 12     | 10         |
| 745-11-0180-CC-D-01 | 175     | 180     | 178,0-182,0         | 209,82 | 16,0                   | 111             | 59     | 15     | 45     | 12     | 10         |
| 745-11-0200-CC-D-01 | 200     | 200     | 198,2-201,5         | 237,40 | 10,0                   | 150             | 89     | 15     | 70     | 14     | 12         |
| 745-11-0225-CC-D-01 | 225     | 225     | 223,0-227,0         | 262,40 | 10,0                   | 150             | 89     | 15     | 70     | 14     | 12         |
| 745-11-0250-CC-D-01 | 250     | 250     | 247,4-252,6         | 287,40 | 10,0                   | 150             | 89     | 15     | 70     | 14     | 12         |
| 745-11-0280-CC-D-01 | 275     | 280     | 277,4-282,6         | 317,40 | 10,0                   | 150             | 89     | 15     | 70     | 14     | 12         |
| 745-11-0315-CC-D-01 | 300     | 315     | 313,0-319,0         | 350,40 | 10,0                   | 150             | 89     | 15     | 70     | 14     | 12         |
|                     |         |         |                     |        |                        |                 |        |        |        |        |            |

CC = Material D = Rubber More detailed LNS information on page 15

Note: the above tables are guides to the most common sizes. Couplings to suit specific diameters not listed may be manufactured to order. Please contact our sales department for further details. Minimum burst is 1.5 times working pressure. Figures are based on typical values for standard wall carbon steel pipe. For use on thin or soft pipe materials such as thin wall stainless, copper alloy or plastic (by way of example only) please check with us first.



Working pressure for marine application.  
Minimum burst pressure is 4 times working pressure.



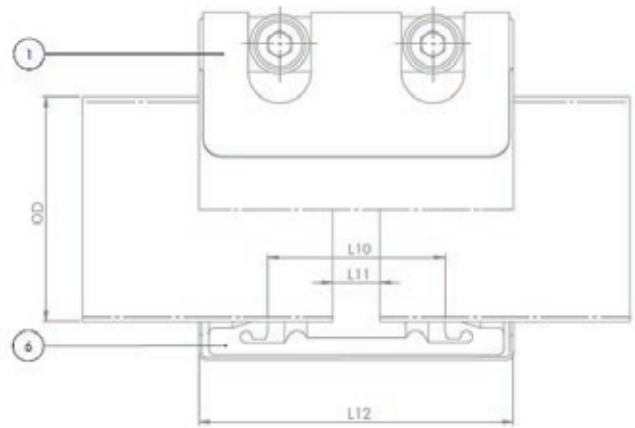
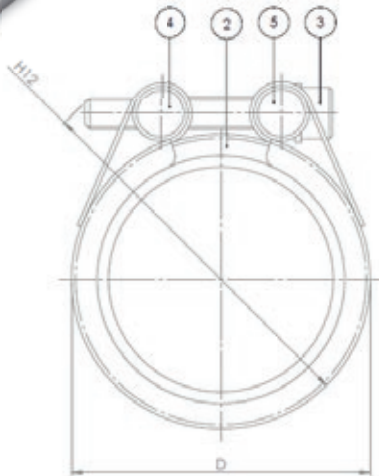
Working pressure for industrial and land-based applications.  
Minimum burst pressure is 1½ times working pressure.

# Repico® SLIP COUPLINGS

The Repico® slip type coupling is designed to replace traditional pipe joining methods (welded, flanged, threaded, etc.) It offers a quick and simple connection solution for all pipes that needs to be able to expand/contract and/or supporting the restraint pipe. No special tools or skilled people are required to install the Repico® product program. The pipe ends only need to be deburred and cleaned. The bolts tightened evenly and torqued with a torque wrench ensures a secure and durable connection. The Repico® slip range has the following types: S, SL, SF, SD, SDL, SDF, ST and SQ, please see their specifications in the separate sections.

## Repico® S – SLIP TYPE COUPLING (NON-TENSILE / AXIAL FLEXIBLE) TO CONNECT ALL PIPES

The Repico® S is the standard version in the range. It seals against 42.7 bar (620 psi) maximum up until DN 50 (2") It offers progressive sealing. It is available with EPDM, NBR, Silicone and FKM seals. Main components of stainless steel 316. Max. angular deflection 5° for DN 15-50, 4° for DN 65-175 and 2° for DN >= 200. Repico® S, DN 20 up to DN 600 (3/4" up to 24")



|   |             |                                   |
|---|-------------|-----------------------------------|
| 1 | Body        | Stainless steel 316               |
| 2 | Slide plate | Stainless steel 316               |
| 3 | Bolt        | Stainless steel 316 / PTFE coated |
| 4 | Nut         | Stainless steel 316               |
| 5 | Washer      | Stainless steel 316               |
| 6 | Sealing     | EPDM, NBR, Silicone or FKM rubber |

| Article number   | Pipe DN | Pipe OD    |         |        |       |        |             |               |       |        | Coupling range (mm) | D (mm)        | Working pressure (bar) |                 | Length (mm) |        | Gap (mm) | Torque (Nm) | Bolt (M) | Allen head (mm) |          |
|------------------|---------|------------|---------|--------|-------|--------|-------------|---------------|-------|--------|---------------------|---------------|------------------------|-----------------|-------------|--------|----------|-------------|----------|-----------------|----------|
|                  |         | Nom. Diam. | DIN/ISO | ASTM   | ASTM  | KS/JIS | CuNi metric | CuNi imperial | Other | PE     |                     |               | Marine SF 4            | Industry SF 1,5 | L12 mm      | L10 mm |          |             |          |                 | L11 (mm) |
|                  |         | mm         | mm      | inch   | mm    | mm     | mm          | mm            | mm    | mm     |                     |               |                        |                 |             |        |          |             |          |                 |          |
| 745-20-0020-CC-D | 15      |            |         |        | 0,79  |        |             |               |       |        | 20,00               | 19.5 - 20.5   | 29,0                   | 16              | 42,7        | 60     | 28       | 5           | 7        | 6               | 5        |
| 745-20-0021-CC-D | 15      | 1/2        | 21,30   | 21,30  | 0,84  | 21,70  |             |               |       |        |                     | 21.0 - 22.0   | 31,0                   | 16              | 42,7        | 60     | 28       | 5           | 7        | 6               | 5        |
| 745-20-0025-CC-D | 20      |            |         |        | 0,98  |        |             |               |       |        | 25,00               | 24.0 - 26.0   | 38,1                   | 16              | 42,7        | 60     | 28       | 5           | 7        | 8               | 6        |
| 745-20-0027-CC-D | 20      | 3/4        | 26,90   | 26,70  | 1,05  | 26,70  |             |               |       |        |                     | 26.0 - 28.0   | 40,3                   | 16              | 42,7        | 60     | 28       | 5           | 7        | 8               | 6        |
| 745-20-0028-CC-D | 20      |            |         |        | 1,11  |        |             |               |       | 28,24  |                     | 26.4 - 29.0   | 41,3                   | 16              | 42,7        | 60     | 28       | 5           | 7        | 8               | 6        |
| 745-20-0030-CC-D | 25      |            |         |        | 1,18  |        |             |               |       | 30,00  |                     | 29.0 - 31.0   | 43,1                   | 16              | 42,7        | 60     | 28       | 5           | 7        | 8               | 6        |
| 745-20-0032-CC-D | 25      |            |         |        | 1,26  |        |             |               |       |        | 32,00               | 31.0 - 33.0   | 45,1                   | 16              | 42,7        | 60     | 28       | 5           | 7        | 8               | 6        |
| 745-20-0034-CC-D | 25      | 1          | 33,70   | 33,40  | 1,32  | 34,00  |             |               |       | 34,59  | 33,70               | 33.0 - 35.0   | 47,1                   | 16              | 42,7        | 60     | 28       | 5           | 7        | 8               | 6        |
| 745-20-0038-CC-D | 32      |            |         |        | 1,50  |        |             |               |       | 38,00  | 38,00               | 37.0 - 39.0   | 51,1                   | 16              | 42,7        | 60     | 28       | 5           | 7        | 8               | 6        |
| 745-20-0040-CC-D | 32      |            |         |        | 1,57  |        |             |               |       |        | 40,94               | 39.5 - 41.3   | 53,1                   | 16              | 42,7        | 60     | 28       | 5           | 7        | 8               | 6        |
| 745-20-0042-CC-D | 32      | 1 1/4      | 42,40   | 42,40  | 1,66  | 42,70  |             |               |       |        |                     | 42.0 - 44.0   | 55,8                   | 16              | 42,7        | 60     | 28       | 5           | 7        | 8               | 6        |
| 745-20-0044-CC-D | 32      |            |         |        | 1,75  |        |             |               |       | 44,50  | 44,50               | 44.0 - 46.0   | 57,6                   | 16              | 42,7        | 60     | 28       | 5           | 7        | 8               | 6        |
| 745-20-0048-CC-D | 40      | 1 1/2      | 48,30   | 48,30  | 1,90  | 48,60  |             |               |       |        |                     | 47.5 - 49.5   | 61,7                   | 16              | 42,7        | 60     | 28       | 5           | 7        | 8               | 6        |
| 745-20-0050-CC-D | 40      |            |         |        | 2,00  |        |             |               |       |        | 50,00               | 49.2 - 51.5   | 63,9                   | 16              | 42,7        | 60     | 28       | 5           | 7        | 8               | 6        |
| 745-20-0054-CC-D | 50      |            |         |        | 2,13  |        |             |               |       | 54,05  | 54,00               | 53.0 - 55.0   | 70,0                   | 16              | 42,7        | 80     | 44       | 5           | 12       | 8               | 6        |
| 745-20-0057-CC-D | 50      |            |         |        | 2,24  |        |             |               |       | 57,00  | 57,00               | 56.0 - 58.0   | 73,0                   | 16              | 42,7        | 80     | 44       | 5           | 12       | 8               | 6        |
| 745-20-0060-CC-D | 50      | 2          | 60,30   | 60,30  | 2,38  | 60,50  |             |               |       |        |                     | 59.0 - 61.5   | 76,5                   | 16              | 42,7        | 80     | 44       | 5           | 12       | 8               | 6        |
| 745-20-0063-CC-D | 50      |            |         |        | 2,48  |        |             |               |       |        | 63,00               | 62.0 - 64.0   | 79,0                   | 16              | 42,7        | 80     | 44       | 5           | 12       | 8               | 6        |
| 745-20-0066-CC-D | 65      |            |         |        | 2,63  |        |             |               |       |        |                     | 65.4 - 68.3   | 82,7                   | 14              | 37,3        | 80     | 44       | 5           | 12       | 8               | 6        |
| 745-20-0069-CC-D | 65      |            |         |        | 2,72  |        |             |               |       | 69,00  |                     | 68.5 - 71.0   | 85,0                   | 14              | 37,3        | 80     | 44       | 5           | 12       | 8               | 6        |
| 745-20-0073-CC-D | 65      | 2 1/2      |         | 73,00  | 2,88  |        |             |               |       |        |                     | 72.5 - 75.5   | 89,0                   | 14              | 37,3        | 80     | 44       | 5           | 12       | 8               | 6        |
| 745-20-0076-CC-D | 65      |            | 76,10   |        | 3,00  | 76,30  | 76,10       |               |       |        | 75,00               | 75.0 - 78.0   | 92,3                   | 14              | 37,3        | 80     | 44       | 5           | 12       | 8               | 10       |
| 745-20-0079-CC-D | 80      |            |         |        | 3,15  |        |             |               |       | 79,85  |                     | 78.8 - 82.0   | 99,9                   | 14              | 37,3        | 110    | 59       | 5           | 15       | 12              | 10       |
| 745-20-0084-CC-D | 80      |            |         |        | 3,31  |        |             |               |       |        | 84,00               | 82.5 - 85.5   | 104,0                  | 14              | 37,3        | 110    | 59       | 5           | 15       | 12              | 10       |
| 745-20-0089-CC-D | 80      | 3          | 88,90   | 88,90  | 3,50  | 89,10  | 88,90       |               |       |        | 88,90               | 88.0 - 91.0   | 109,1                  | 14              | 37,3        | 110    | 59       | 5           | 15       | 12              | 10       |
| 745-20-0101-CC-D | 90      |            | 101,60  | 101,60 | 4,00  | 101,60 |             |               |       |        |                     | 100.0 - 103.0 | 121,6                  | 14              | 37,3        | 110    | 59       | 5           | 15       | 12              | 10       |
| 745-20-0104-CC-D | 100     |            |         |        | 4,09  |        |             |               |       |        |                     | 102.0 - 105.0 | 124,0                  | 14              | 37,3        | 110    | 59       | 5           | 15       | 12              | 10       |
| 745-20-0106-CC-D | 100     |            |         |        | 4,19  |        |             |               |       |        | 106,27              | 105.0 - 107.5 | 126,3                  | 14              | 37,3        | 110    | 59       | 5           | 15       | 12              | 10       |
| 745-20-0108-CC-D | 100     |            |         |        | 4,25  |        |             |               |       | 108,00 |                     | 106.0 - 109.0 | 128,0                  | 14              | 37,3        | 110    | 59       | 5           | 15       | 12              | 10       |
| 745-20-0114-CC-D | 100     | 4          | 114,30  | 114,30 | 4,50  | 114,30 |             |               |       |        | 114,30              | 113.0 - 116.0 | 134,3                  | 14              | 37,3        | 110    | 59       | 5           | 15       | 12              | 10       |
| 745-20-0127-CC-D | 125     |            |         |        | 5,00  |        |             |               |       |        |                     | 125.0 - 129.0 | 148,5                  | 14              | 37,3        | 111    | 59       | 5           | 25       | 12              | 10       |
| 745-20-0129-CC-D | 125     |            |         |        | 5,08  |        |             |               |       |        |                     | 127.5 - 130.0 | 150,5                  | 14              | 37,3        | 111    | 59       | 5           | 25       | 12              | 10       |
| 745-20-0133-CC-D | 125     |            |         |        | 5,24  |        |             |               |       | 133,00 | 131,67              | 131.0 - 135.0 | 154,5                  | 14              | 37,3        | 111    | 59       | 5           | 25       | 12              | 10       |
| 745-20-0139-CC-D | 125     |            | 139,70  |        | 5,50  | 139,80 |             |               |       |        | 139,70              | 138.0 - 142.0 | 161,3                  | 14              | 37,3        | 111    | 59       | 5           | 25       | 12              | 10       |
| 745-20-0141-CC-D | 125     | 5          |         | 141,30 | 5,63  |        |             |               |       |        | 140,00              | 139.5 - 143.5 | 162,8                  | 14              | 37,3        | 111    | 59       | 5           | 25       | 12              | 10       |
| 745-20-0154-CC-D | 150     |            |         |        | 6,06  |        |             |               |       |        |                     | 151.5 - 155.5 | 175,5                  | 12              | 32,0        | 111    | 59       | 5           | 25       | 12              | 10       |
| 745-20-0159-CC-D | 150     |            |         |        | 6,26  |        |             |               |       | 159,00 | 157,68              | 156.0 - 160.0 | 180,5                  | 12              | 32,0        | 111    | 59       | 5           | 25       | 12              | 10       |
| 745-20-0165-CC-D | 150     |            |         |        | 6,50  | 165,20 |             |               |       |        |                     | 164.0 - 167.0 | 186,7                  | 12              | 32,0        | 111    | 59       | 5           | 25       | 12              | 10       |
| 745-20-0168-CC-D | 150     | 6          | 168,30  | 168,30 | 6,63  |        |             |               |       |        | 168,30              | 166.0 - 170.0 | 189,8                  | 12              | 32,0        | 111    | 59       | 5           | 25       | 12              | 10       |
| 745-20-0180-CC-D | 175     |            |         |        | 7,09  |        |             |               |       |        | 180,00              | 178.0 - 182.0 | 201,5                  | 10              | 26,7        | 111    | 59       | 5           | 30       | 12              | 10       |
| 745-20-0200-CC-D | 200     |            |         |        | 7,87  |        |             |               |       |        | 200,00              | 198.0 - 203.0 | 225,5                  | 8               | 21,3        | 150    | 89       | 10          | 35       | 14              | 12       |
| 745-20-0204-CC-D | 200     |            |         |        | 8,03  |        |             |               |       |        |                     | 202.0 - 206.0 | 229,5                  | 8               | 21,3        | 150    | 89       | 10          | 35       | 14              | 12       |
| 745-20-0216-CC-D | 200     |            |         |        | 8,52  | 216,30 |             |               |       |        |                     | 214.0 - 218.5 | 241,8                  | 8               | 21,3        | 150    | 89       | 10          | 35       | 14              | 12       |
| 745-20-0219-CC-D | 200     | 8          | 219,10  | 219,10 | 8,63  |        |             |               |       | 219,00 | 219,00              | 216.5 - 221.5 | 244,6                  | 8               | 21,3        | 150    | 89       | 10          | 35       | 14              | 12       |
| 745-20-0254-CC-D | 250     |            |         |        | 10,00 |        |             |               |       |        |                     | 251.0 - 257.0 | 279,5                  | 8               | 21,3        | 150    | 89       | 10          | 35       | 14              | 12       |
| 745-20-0267-CC-D | 250     |            |         |        | 10,53 | 267,40 | 267,00      |               |       |        |                     | 262.0 - 269.0 | 292,9                  | 8               | 21,3        | 150    | 89       | 10          | 35       | 14              | 12       |
| 745-20-0273-CC-D | 250     | 10         | 273,00  | 273,10 | 10,75 |        |             |               |       |        | 273,00              | 270.0 - 276.0 | 298,6                  | 8               | 21,3        | 150    | 89       | 10          | 35       | 14              | 12       |
| 745-20-0304-CC-D | 300     |            |         |        | 11,97 |        |             |               |       |        |                     | 301.5 - 308.0 | 329,5                  | 7               | 18,7        | 150    | 89       | 10          | 35       | 14              | 12       |
| 745-20-0318-CC-D | 300     |            |         |        | 12,54 | 318,50 |             |               |       |        |                     | 316.0 - 322.5 | 344,0                  | 7               | 18,7        | 150    | 89       | 10          | 35       | 14              | 12       |
| 745-20-0323-CC-D | 300     | 12         | 323,90  | 323,90 | 12,75 |        |             |               |       | 323,90 |                     | 322.0 - 328.0 | 349,4                  | 7               | 18,7        | 150    | 89       | 10          | 35       | 14              | 12       |
| 745-20-0355-CC-D | 350     | 14         | 355,60  | 355,60 | 14,00 | 355,60 |             |               |       |        | 355,00              | 352.0 - 360.0 | 381,1                  | 7               | 18,7        | 150    | 89       | 10          | 45       | 14              | 12       |
| 745-20-0406-CC-D | 400     | 16         | 406,40  | 406,40 | 16,00 | 406,40 |             |               |       |        |                     | 402.0 - 410.0 | 431,9                  | 6               | 16,0        | 150    | 89       | 10          | 45       | 14              | 12       |
| 745-20-0457-CC-D | 450     | 18         | 457,20  | 457,20 | 18,00 | 457,20 | 457,20      | 457,20        |       |        |                     | 453.0 - 460.0 | 482,7                  | 6               | 16,0        | 150    | 89       | 10          | 55       | 14              | 12       |
| 745-20-0508-CC-D | 500     | 20         | 508,00  | 508,00 | 20,00 | 508,00 | 508,00      | 508,00        |       |        |                     | 504.0 - 512.0 | 533,5                  | 5               | 13,3        | 150    | 89       | 10          | 55       | 14              | 12       |
| 745-20-0558-CC-D | 550     | 22         | 558,80  | 558,80 | 22,00 |        |             |               |       |        |                     | 555.0 - 563.0 | 584,3                  | 4               | 12,2        | 150    | 89       | 15          | 55       | 14              | 12       |
| 745-20-0609-CC-D | 600     | 24         | 609,60  | 609,60 | 24,00 |        |             |               |       | 610,00 |                     | 605.0 - 614.0 | 635,1                  | 4               | 11,2        | 150    | 89       | 15          | 55       | 14              | 12       |

CC = Material D = Rubber More detailed LNS information on page 15

Note: the above tables are guides to the most common sizes. Couplings to suit specific diameters not listed may be manufactured to order. Please contact our sales department for further details. Minimum burst is 1.5 times working pressure. Figures are based on typical values for standard wall carbon steel pipe. For use on thin or soft pipe materials such as thin wall stainless, copper alloy or plastic (by way of example only) please check with us first.



Working pressure for marine application.  
Minimum burst pressure is 4 times working pressure.

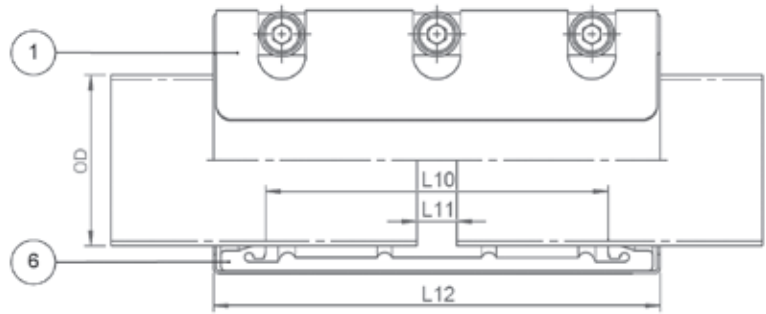
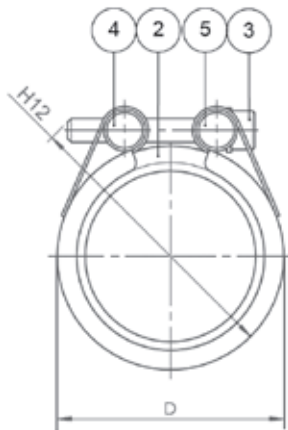


Working pressure for industrial and land-based applications.  
Minimum burst pressure is 1½ times working pressure.

# Repico® SLIP COUPLINGS

## Repico® SL – SLIP TYPE COUPLING LONG VERSION (NON-TENSILE / AXIAL FLEXIBLE) TO CONNECT ALL PIPES

The Repico® SL is the standard version in the range. It seals against 42.7 bar (620 psi) maximum up until DN 50 (2"). It offers progressive sealing. It is available with EPDM, NBR and Silicone seals. Main components of stainless steel 316. Max. angular deflection 5° for DN 15-50, 4° for DN 65-175 and 2° for DN >= 200. Repico® SL, DN 20 up to DN 600 (3/4" up to 24")



|   |             |                                   |
|---|-------------|-----------------------------------|
| 1 | Body        | Stainless steel 316               |
| 2 | Slide plate | Stainless steel 316               |
| 3 | Bolt        | Stainless steel 316 / PTFE coated |
| 4 | Nut         | Stainless steel 316               |
| 5 | Washer      | Stainless steel 316               |
| 6 | Sealing     | EPDM, NBR or Silicone rubber      |

| Article number   | Pipe DN | Pipe OD    |         |       |        |        |             |               |       | Coupling range (mm) | D (mm)        | Working pressure (bar) |             | Length (mm)     |        | Gap | Torque | Bolt | Allen head |        |
|------------------|---------|------------|---------|-------|--------|--------|-------------|---------------|-------|---------------------|---------------|------------------------|-------------|-----------------|--------|-----|--------|------|------------|--------|
|                  |         | Nom. Diam. | DIN/ISO | ASTM  | ASTM   | KS/JIS | CuNi metric | CuNi imperial | Other |                     |               | PE                     | Marine SF 4 | Industry SF 1,5 | L12 mm |     |        |      |            | L10 mm |
|                  |         | mm         | mm      | inch  | mm     | mm     | mm          | mm            | mm    |                     |               | mm                     | mm          | mm              | mm     | mm  | mm     | mm   | mm         | mm     |
| 745-21-0027-CC-D | 20      | 3/4        | 26,9    | 26,7  | 1,050  | 26,7   |             |               |       |                     | 26,0 - 28,0   | 40,3                   | 16          | 42,7            | 100    | 70  | 5      | 7    | 6          | 5      |
| 745-21-0032-CC-D | 25      |            |         |       | 1,260  |        |             |               |       |                     | 31,0 ~ 33,0   | 45,1                   | 16          | 42,7            | 100    | 70  | 5      | 7    | 6          | 5      |
| 745-21-0034-CC-D | 25      | 1          | 33,7    | 33,4  | 1,315  | 34,0   |             |               |       |                     | 33,0 ~ 35,0   | 47,1                   | 16          | 42,7            | 100    | 70  | 5      | 7    | 6          | 5      |
| 745-21-0040-CC-D | 32      |            |         |       | 1,575  |        |             |               |       |                     | 39,5 ~ 41,3   | 53,1                   | 16          | 42,7            | 100    | 70  | 5      | 7    | 6          | 5      |
| 745-21-0042-CC-D | 32      | 1 1/4      | 42,4    | 42,4  | 1,660  | 42,7   |             |               |       |                     | 42,0 ~ 44,0   | 55,8                   | 16          | 42,7            | 100    | 70  | 5      | 7    | 6          | 5      |
| 745-21-0048-CC-D | 40      | 1 1/2      | 48,3    | 48,3  | 1,900  | 48,6   |             |               |       |                     | 47,5 ~ 49,5   | 61,7                   | 16          | 42,7            | 100    | 70  | 5      | 7    | 6          | 5      |
| 745-21-0050-CC-D | 40      |            |         |       | 2,000  |        |             |               |       |                     | 49,2 ~ 51,5   | 63,9                   | 16          | 42,7            | 100    | 70  | 5      | 7    | 6          | 5      |
| 745-21-0060-CC-D | 50      | 2          | 60,3    | 60,3  | 2,375  | 60,5   |             |               |       |                     | 59,0 ~ 61,5   | 76,5                   | 16          | 42,7            | 150    | 110 | 5      | 12   | 8          | 6      |
| 745-21-0063-CC-D | 50      |            |         |       | 2,480  |        |             |               |       |                     | 62,0 ~ 64,0   | 79,0                   | 16          | 42,7            | 150    | 110 | 5      | 12   | 8          | 6      |
| 745-21-0069-CC-D | 65      |            |         |       | 2,717  |        |             |               |       | 69,0                | 68,5 ~ 71,0   | 85,0                   | 14          | 37,3            | 150    | 110 | 5      | 12   | 8          | 6      |
| 745-21-0073-CC-D | 65      | 2 1/2      |         | 73,0  | 2,875  |        |             |               |       |                     | 72,5 ~ 75,5   | 89,0                   | 14          | 37,3            | 150    | 110 | 5      | 12   | 8          | 6      |
| 745-21-0076-CC-D | 65      |            | 76,1    |       | 3,004  | 76,3   | 76,1        |               |       | 76,1                | 75,0 ~ 78,0   | 92,3                   | 14          | 37,3            | 150    | 110 | 5      | 12   | 8          | 6      |
| 745-21-0079-CC-D | 80      |            |         |       | 3,146  |        |             |               |       | 79,85               | 78,8 ~ 82,0   | 99,9                   | 14          | 37,3            | 200    | 110 | 5      | 15   | 12         | 10     |
| 745-21-0089-CC-D | 80      | 3          | 88,9    | 88,9  | 3,500  | 89,1   | 88,9        |               |       | 88,9                | 88,0 ~ 91,0   | 109,1                  | 14          | 37,3            | 200    | 110 | 5      | 15   | 12         | 10     |
| 745-21-0101-CC-D | 90      |            | 101,6   | 101,6 | 4,000  | 101,6  |             |               |       |                     | 100,0 ~ 103,0 | 121,6                  | 14          | 37,3            | 200    | 110 | 5      | 15   | 12         | 10     |
| 745-21-0104-CC-D | 100     |            |         |       | 4,094  |        |             |               |       |                     | 102,0 ~ 105,0 | 124,0                  | 14          | 37,3            | 200    | 150 | 5      | 15   | 12         | 10     |
| 745-21-0106-CC-D | 100     |            |         |       | 4,185  |        |             |               |       |                     | 105,0 ~ 107,5 | 126,3                  | 14          | 37,3            | 200    | 150 | 5      | 15   | 12         | 10     |
| 745-21-0108-CC-D | 100     |            |         |       | 4,252  |        | 108,0       |               |       |                     | 106,0 ~ 109,0 | 128,0                  | 14          | 37,3            | 200    | 150 | 5      | 15   | 12         | 10     |
| 745-21-0114-CC-D | 100     | 4          | 114,3   | 114,3 | 4,500  | 114,3  |             |               |       | 114,3               | 113,0 ~ 116,0 | 134,3                  | 14          | 37,3            | 200    | 150 | 5      | 15   | 12         | 10     |
| 745-21-0139-CC-D | 125     |            | 139,7   |       | 5,504  | 139,8  |             |               |       | 139,7               | 138,0 ~ 142,0 | 161,3                  | 14          | 37,3            | 201    | 150 | 5      | 25   | 12         | 10     |
| 745-21-0141-CC-D | 125     | 5          |         | 141,3 | 5,630  |        |             |               |       | 140,0               | 139,5 ~ 143,5 | 162,8                  | 14          | 37,3            | 201    | 150 | 5      | 25   | 12         | 10     |
| 745-21-0159-CC-D | 150     |            |         |       | 6,260  |        | 159,0       | 157,7         |       | 160,0               | 156,0 ~ 160,0 | 180,5                  | 12          | 32,0            | 201    | 150 | 5      | 25   | 12         | 10     |
| 745-21-0165-CC-D | 150     |            |         |       | 6,504  | 165,2  |             |               |       |                     | 164,0 ~ 167,0 | 186,7                  | 12          | 32,0            | 201    | 150 | 5      | 25   | 12         | 10     |
| 745-21-0168-CC-D | 150     | 6          | 168,3   | 168,3 | 6,625  |        |             |               |       | 168,3               | 166,0 ~ 170,0 | 189,8                  | 12          | 32,0            | 201    | 150 | 5      | 25   | 12         | 10     |
| 745-21-0216-CC-D | 200     |            |         |       | 8,516  | 216,3  |             |               |       |                     | 214,0 ~ 218,5 | 241,8                  | 8           | 21,3            | 250    | 185 | 10     | 35   | 16         | 12     |
| 745-21-0219-CC-D | 200     | 8          | 219,1   | 219,1 | 8,625  |        | 219,0       |               |       | 219,0               | 216,5 ~ 221,5 | 244,6                  | 8           | 21,3            | 250    | 185 | 10     | 35   | 16         | 12     |
| 745-21-0267-CC-D | 250     |            |         |       | 10,528 | 267,4  | 267,0       |               |       |                     | 262,0 ~ 269,0 | 292,9                  | 8           | 21,3            | 250    | 185 | 10     | 35   | 16         | 12     |
| 745-21-0273-CC-D | 250     | 10         | 273,0   | 273,1 | 10,750 |        |             |               |       | 273,0               | 270,0 ~ 276,0 | 298,6                  | 8           | 21,3            | 250    | 185 | 10     | 35   | 16         | 12     |
| 745-21-0318-CC-D | 300     |            |         |       | 12,539 | 318,5  |             |               |       |                     | 316,0 ~ 322,5 | 344,0                  | 7           | 18,7            | 250    | 185 | 10     | 35   | 16         | 12     |
| 745-21-0355-CC-D | 350     | 14         | 355,6   | 355,6 | 14,000 | 355,6  |             |               |       | 355,0               | 352,0 ~ 360,0 | 381,1                  | 7           | 18,7            | 250    | 185 | 10     | 45   | 16         | 12     |
| 745-21-0406-CC-D | 400     | 16         | 406,4   | 406,4 | 16,000 | 406,4  |             |               |       |                     | 402,0 ~ 410,0 | 431,9                  | 6           | 16,0            | 250    | 185 | 10     | 45   | 16         | 12     |
| 745-21-0457-CC-D | 450     | 18         | 457,2   | 457,2 | 18,000 | 457,2  | 457,2       | 457,2         |       |                     | 453,0 ~ 460,0 | 482,7                  | 6           | 16,0            | 250    | 185 | 10     | 55   | 16         | 12     |
| 745-21-0508-CC-D | 500     | 20         | 508,0   | 508,0 | 20,000 | 508,0  | 508,0       | 508,0         |       |                     | 504,0 ~ 512,0 | 533,5                  | 5           | 13,3            | 250    | 185 | 10     | 55   | 16         | 12     |
| 745-21-0558-CC-D | 550     | 22         | 558,8   | 558,8 | 22,000 |        |             |               |       |                     | 555,0 ~ 563,0 | 584,3                  | 5           | 12,2            | 250    | 185 | 15     | 55   | 16         | 12     |
| 745-21-0609-CC-D | 600     | 24         | 609,6   | 609,6 | 24,000 |        | 610,0       |               |       |                     | 605,0 ~ 614,0 | 635,1                  | 5           | 11,2            | 250    | 185 | 15     | 55   | 16         | 12     |

CC = Material D = Rubber More detailed LNS information on page 15

Note: the above tables are guides to the most common sizes. Couplings to suit specific diameters not listed may be manufactured to order. Please contact our sales department for further details. Minimum burst is 1.5 times working pressure. Figures are based on typical values for standard wall carbon steel pipe. For use on thin or soft pipe materials such as thin wall stainless, copper alloy or plastic (by way of example only) please check with us first.



Working pressure for marine application.  
Minimum burst pressure is 4 times working pressure.

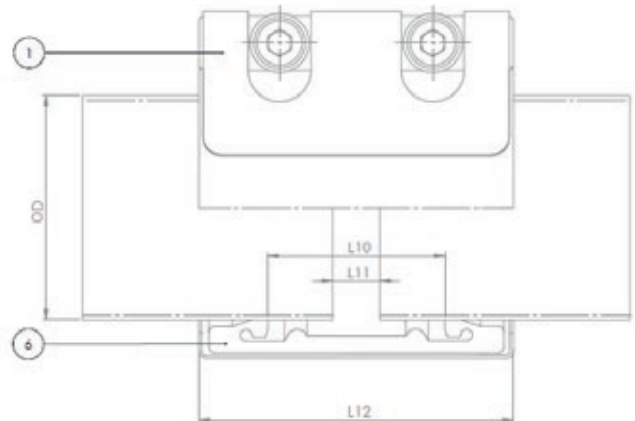
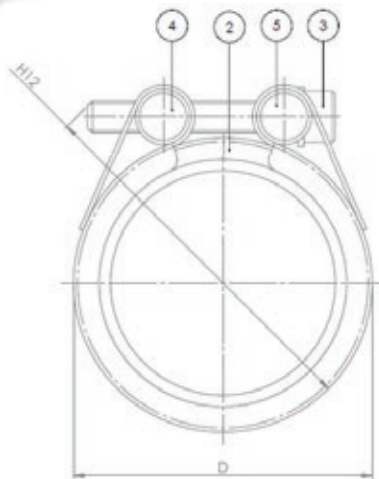


Working pressure for industrial and land-based applications.  
Minimum burst pressure is 1½ times working pressure.

# Repico® SLIP COUPLINGS

## Repico® SF – SLIP TYPE COUPLING (NON-TENSILE / AXIAL FLEXIBLE) TO CONNECT ALL PIPES

The Repico® SF is the high pressure version of the S coupling. It seals against 42.7 bar (620psi) maximum up until DN 150 (6") extending the higher pressure up to bigger sizes than the S type. It's available with EPDM, NBR, Silicone and FKM seals. Main components of stainless steel 316. Max. angular deflection 5° for DN 15-50, 4° for DN 65-175 and 2° for DN >= 200. Optionally the SFL version is available which has a longer body length. **Repico® SF, DN 65 up to DN 600 (2 ½" up to 24")**



|   |             |                                   |
|---|-------------|-----------------------------------|
| 1 | Body        | Stainless steel 316               |
| 2 | Slide plate | Stainless steel 316               |
| 3 | Bolt        | Stainless steel 316 / PTFE coated |
| 4 | Nut         | Stainless steel 316               |
| 5 | Washer      | Stainless steel 316               |
| 6 | Sealing     | EPDM, NBR, Silicone or FKM rubber |

| Article number   | Pipe DN | Nom. Diam. | Pipe OD |        |       |        |             |               |        | PE     | Coupling range (mm) | D (mm) | Working pressure (bar) |                 | Length (mm) |        | Gap | Torque | Bolt | Allen head |        |
|------------------|---------|------------|---------|--------|-------|--------|-------------|---------------|--------|--------|---------------------|--------|------------------------|-----------------|-------------|--------|-----|--------|------|------------|--------|
|                  |         |            | DIN/ISO | ASTM   | ASTM  | KS/JIS | CuNi metric | CuNi imperial | Other  |        |                     |        | Marine SF 4            | Industry SF 1,5 | L12 mm      | L10 mm |     |        |      |            | L11 mm |
|                  |         |            | mm      | mm     | inch  | mm     | mm          | mm            | mm     |        |                     |        |                        |                 |             |        |     |        |      |            |        |
| 745-24-0066-CC-D | 65      |            |         |        | 2,63  |        |             | 66,75         |        |        | 65.4 - 68.3         | 84,0   | 16                     | 42,7            | 81          | 44     | 5   | 12     | 8    | 6          |        |
| 745-24-0069-CC-D | 65      |            |         |        | 2,72  |        |             |               | 69,00  |        | 68.5 - 71.0         | 87,0   | 16                     | 42,7            | 81          | 44     | 5   | 12     | 8    | 6          |        |
| 745-24-0073-CC-D | 65      | 2 1/2      |         | 73,00  | 2,88  |        |             |               |        |        | 72.5 - 75.5         | 91,0   | 16                     | 42,7            | 81          | 44     | 5   | 12     | 8    | 6          |        |
| 745-24-0076-CC-D | 65      |            | 76,10   |        | 3,00  | 76,30  | 76,10       |               | 76,10  | 75,00  | 75.0 - 78.0         | 94,0   | 16                     | 42,7            | 81          | 44     | 5   | 12     | 8    | 6          |        |
| 745-24-0079-CC-D | 80      |            |         |        | 3,15  |        |             |               | 79,85  |        | 78.8 - 82.0         | 101,0  | 16                     | 42,7            | 111         | 59     | 5   | 15     | 12   | 10         |        |
| 745-24-0084-CC-D | 80      |            |         |        | 3,31  |        |             |               |        | 84,00  | 82.5 - 85.5         | 106,0  | 16                     | 42,7            | 111         | 59     | 5   | 15     | 12   | 10         |        |
| 745-24-0089-CC-D | 80      | 3          | 88,90   | 88,90  | 3,50  | 89,10  | 88,90       |               | 88,90  | 90,00  | 88.0 - 91.0         | 110,0  | 16                     | 42,7            | 111         | 59     | 5   | 15     | 12   | 10         |        |
| 745-24-0101-CC-D | 90      | 3 1/2      | 101,60  | 101,60 | 4,00  | 101,60 |             |               |        |        | 100.0 - 103.0       | 123,0  | 16                     | 42,7            | 111         | 59     | 5   | 15     | 12   | 10         |        |
| 745-24-0104-CC-D | 100     |            |         |        | 4,09  |        |             |               |        |        | 102.0 - 105.0       | 126,0  | 16,0                   | 42,7            | 110         | 59     | 5   | 15     | 12   | 10         |        |
| 745-24-0106-CC-D | 100     |            |         |        | 4,19  |        |             | 106,27        |        |        | 105.0 - 107.5       | 128,0  | 16,0                   | 42,7            | 110         | 59     | 5   | 15     | 12   | 10         |        |
| 745-24-0108-CC-D | 100     |            |         |        | 4,25  |        | 108,00      |               |        |        | 106.0 - 109.0       | 130,0  | 16,0                   | 42,7            | 110         | 59     | 5   | 15     | 12   | 10         |        |
| 745-24-0114-CC-D | 100     | 4          | 114,30  | 114,30 | 4,50  | 114,30 |             |               | 114,30 |        | 113.0 - 116.0       | 136,0  | 16,0                   | 42,7            | 110         | 59     | 5   | 15     | 12   | 10         |        |
| 745-24-0127-CC-D | 125     |            |         |        | 5,00  |        |             |               |        |        | 125.0 - 129.0       | 152,0  | 16,0                   | 42,7            | 111         | 59     | 5   | 25     | 12   | 10         |        |
| 745-24-0129-CC-D | 125     |            |         |        | 5,08  |        |             |               |        |        | 127.5 - 130.0       | 154,0  | 16,0                   | 42,7            | 111         | 59     | 5   | 25     | 12   | 10         |        |
| 745-24-0133-CC-D | 125     |            |         |        | 5,24  |        | 133,00      | 131,67        |        |        | 131.0 - 135.0       | 156,0  | 16,0                   | 42,7            | 111         | 59     | 5   | 25     | 12   | 10         |        |
| 745-24-0139-CC-D | 125     |            | 139,70  |        | 5,50  | 139,80 |             |               | 139,70 |        | 138.0 - 142.0       | 164,0  | 16,0                   | 42,7            | 111         | 59     | 5   | 25     | 12   | 10         |        |
| 745-24-0141-CC-D | 125     | 5          |         | 141,30 | 5,63  |        |             |               |        | 140,00 | 139.5 - 143.5       | 166,0  | 16,0                   | 42,7            | 111         | 59     | 5   | 25     | 12   | 10         |        |
| 745-24-0154-CC-D | 150     |            |         |        | 6,06  |        |             |               |        |        | 151.5 - 155.5       | 179,0  | 16,0                   | 42,7            | 111         | 59     | 5   | 25     | 12   | 10         |        |
| 745-24-0159-CC-D | 150     |            |         |        | 6,26  |        | 159,00      | 157,68        |        | 160,00 | 156.0 - 160.0       | 182,0  | 16,0                   | 42,7            | 111         | 59     | 5   | 25     | 12   | 10         |        |
| 745-24-0165-CC-D | 150     |            |         |        | 6,50  | 165,20 |             |               |        |        | 164.0 - 167.0       | 190,0  | 16,0                   | 42,7            | 111         | 59     | 5   | 25     | 12   | 10         |        |
| 745-24-0168-CC-D | 150     | 6          | 168,30  | 168,30 | 6,63  |        |             |               | 168,30 |        | 166.0 - 170.0       | 193,0  | 16,0                   | 42,7            | 111         | 59     | 5   | 25     | 12   | 10         |        |
| 745-24-0180-CC-D | 175     |            |         |        | 7,09  |        |             |               |        | 180,00 | 178.0 - 182.0       | 205,0  | 10,0                   | 26,7            | 111         | 59     | 5   | 30     | 12   | 10         |        |
| 745-24-0200-CC-D | 200     |            |         |        | 7,87  |        |             |               |        | 200,00 | 198.0 - 203.0       | 229,0  | 12,0                   | 32,0            | 150         | 89     | 10  | 35     | 14   | 12         |        |
| 745-24-0204-CC-D | 200     |            |         |        | 8,03  |        |             |               |        |        | 202.0 - 206.0       | 233,0  | 12,0                   | 32,0            | 150         | 89     | 10  | 35     | 14   | 12         |        |
| 745-24-0216-CC-D | 200     |            |         |        | 8,52  | 216,30 |             |               |        |        | 214.0 - 218.5       | 245,0  | 12,0                   | 32,0            | 150         | 89     | 10  | 35     | 14   | 12         |        |
| 745-24-0219-CC-D | 200     | 8          | 219,10  | 219,10 | 8,63  |        | 219,00      |               | 219,00 |        | 216.5 - 221.5       | 248,0  | 12,0                   | 32,0            | 150         | 89     | 10  | 35     | 14   | 12         |        |
| 745-24-0254-CC-D | 250     |            |         |        | 10,00 |        |             |               |        |        | 251.0 - 257.0       | 283,0  | 10,0                   | 26,7            | 150         | 89     | 10  | 35     | 14   | 12         |        |
| 745-24-0267-CC-D | 250     |            |         |        | 10,53 | 267,40 | 267,00      |               |        |        | 262.0 - 269.0       | 296,0  | 10,0                   | 26,7            | 150         | 89     | 10  | 35     | 14   | 12         |        |
| 745-24-0273-CC-D | 250     | 10         | 273,00  | 273,10 | 10,75 |        |             |               | 273,00 |        | 270.0 - 276.0       | 302,0  | 10,0                   | 26,7            | 150         | 89     | 10  | 35     | 14   | 12         |        |
| 745-24-0304-CC-D | 300     |            |         |        | 11,97 |        |             |               |        |        | 301.5 - 308.0       | 333,0  | 10,0                   | 26,7            | 150         | 89     | 10  | 35     | 14   | 12         |        |
| 745-24-0318-CC-D | 300     |            |         |        | 12,54 | 318,50 |             |               |        |        | 316.0 - 322.5       | 348,0  | 10,0                   | 26,7            | 150         | 89     | 10  | 35     | 14   | 12         |        |
| 745-24-0323-CC-D | 300     | 12         | 323,90  | 323,90 | 12,75 |        | 323,90      |               | 323,90 |        | 322.0 - 328.0       | 353,0  | 10,0                   | 26,7            | 150         | 89     | 10  | 35     | 14   | 12         |        |
| 745-24-0355-CC-D | 350     | 14         | 355,60  | 355,60 | 14,00 | 355,60 |             |               |        | 355,00 | 352.0 - 360.0       | 385,0  | 10,0                   | 26,7            | 150         | 89     | 10  | 45     | 14   | 12         |        |
| 745-24-0406-CC-D | 400     | 16         | 406,40  | 406,40 | 16,00 | 406,40 |             |               |        |        | 402.0 - 410.0       | 435,0  | 10,0                   | 26,7            | 150         | 89     | 10  | 45     | 14   | 12         |        |
| 745-24-0457-CC-D | 450     | 18         | 457,20  | 457,20 | 18,00 | 457,20 | 457,20      |               |        |        | 453.0 - 460.0       | 486,0  | 9,5                    | 25,3            | 150         | 89     | 10  | 55     | 14   | 12         |        |
| 745-24-0508-CC-D | 500     | 20         | 508,00  | 508,00 | 20,00 | 508,00 | 508,00      |               |        |        | 504.0 - 512.0       | 537,0  | 7,0                    | 18,7            | 150         | 89     | 10  | 55     | 14   | 12         |        |
| 745-24-0558-CC-D | 550     | 22         | 558,80  | 558,80 | 22,00 |        |             |               |        |        | 555.0 - 563.0       | 588,0  | 7,0                    | 18,7            | 150         | 89     | 15  | 55     | 14   | 12         |        |
| 745-24-0609-CC-D | 600     | 24         | 609,60  | 609,60 | 24,00 |        | 610,00      |               |        |        | 605.0 - 614.0       | 639,0  | 6,0                    | 16,0            | 150         | 89     | 15  | 55     | 14   | 12         |        |

CC = Material D = Rubber More detailed LNS information on page 15

Note: the above tables are guides to the most common sizes. Couplings to suit specific diameters not listed may be manufactured to order. Please contact our sales department for further details. Minimum burst is 1.5 times working pressure. Figures are based on typical values for standard wall carbon steel pipe. For use on thin or soft pipe materials such as thin wall stainless, copper alloy or plastic (by way of example only) please check with us first.



Working pressure for marine application.  
Minimum burst pressure is 4 times working pressure.

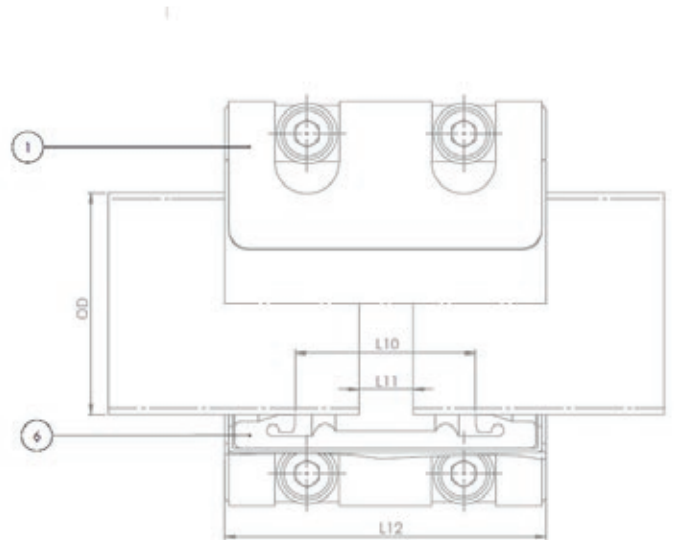
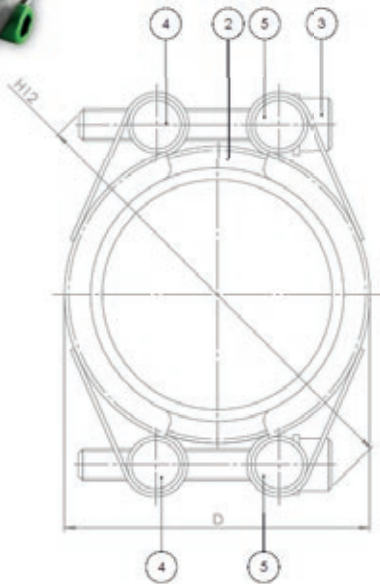
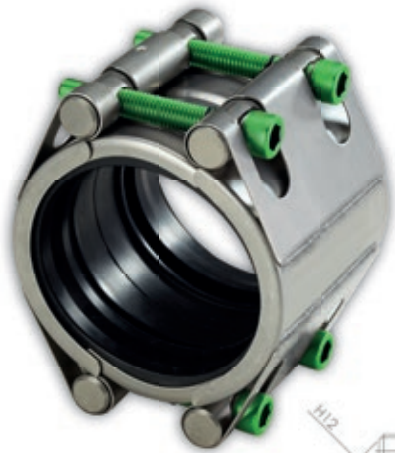


Working pressure for industrial and land-based applications.  
Minimum burst pressure is 1½ times working pressure.

# Repico® SLIP COUPLINGS

## Repico® SD – SLIP TYPE COUPLING TWO LOCKS (NON-TENSILE / AXIAL FLEXIBLE) TO CONNECT ALL PIPES

The Repico® SD offers 2 locks instead and starts where the Repico® S ends in size. It seals against 10.7 bar (155 psi) maximum. It offers progressive sealing. It is available with EPDM, NBR, Silicone and FKM seals. Main components of stainless steel 316. Max. angular deflection 5° for DN 15-50, 4° for DN 65-175 and 2° for DN ≥ 200. Repico® SD, DN 650 up to DN 1000 (26" up to 40")



|   |             |                                   |
|---|-------------|-----------------------------------|
| 1 | Body        | Stainless steel 316               |
| 2 | Slide plate | Stainless steel 316               |
| 3 | Bolt        | Stainless steel 316 / PTFE coated |
| 4 | Nut         | Stainless steel 316               |
| 5 | Washer      | Stainless steel 316               |
| 6 | Sealing     | EPDM, NBR, Silicone or FKM rubber |



| Article number   | Pipe DN | Nom. Diam. | Pipe OD  |          |       |        |             |               |       | Coupling range (mm) | D (mm) | Working pressure (bar) | Length |        | Gap | Torque | Thread | Allen head |        |
|------------------|---------|------------|----------|----------|-------|--------|-------------|---------------|-------|---------------------|--------|------------------------|--------|--------|-----|--------|--------|------------|--------|
|                  |         |            | DIN/ISO  | ASTM     | ASTM  | KS/JIS | CuNi metric | CuNi imperial | Other |                     |        |                        | PE     | L12 mm |     |        |        |            | L10 mm |
|                  |         |            | mm       | mm       | inch  | mm     | mm          | mm            | mm    |                     |        |                        | mm     | mm     |     |        |        |            | mm     |
| 745-28-0660-CC-D | 650     | 26         |          | 660,40   | 26,00 |        |             |               |       | 654.0 - 666.0       | 685,9  | 10,7                   | 150    | 89     | 15  | 90     | 14     | 12         |        |
| 745-28-0711-CC-D | 700     | 28         | 711,20   | 711,20   | 28,00 |        | 711,20      |               |       | 705.0 - 717.0       | 736,7  | 9,9                    | 150    | 89     | 15  | 90     | 14     | 12         |        |
| 745-28-0762-CC-D | 750     | 30         |          | 762,00   | 30,00 |        |             |               |       | 756.0 - 768.0       | 787,5  | 9,6                    | 150    | 89     | 15  | 90     | 14     | 12         |        |
| 745-28-0812-CC-D | 800     | 32         | 812,80   | 812,80   | 32,00 |        | 812,80      |               |       | 806.0 - 818.0       | 838,3  | 9,1                    | 150    | 89     | 15  | 90     | 14     | 12         |        |
| 745-28-0863-CC-D | 850     | 34         |          | 863,60   | 34,00 |        |             |               |       | 857.0 - 869.0       | 889,1  | 8,5                    | 150    | 89     | 15  | 90     | 14     | 12         |        |
| 745-28-0914-CC-D | 900     | 36         | 914,40   | 914,40   | 36,00 |        | 914,40      |               |       | 908.0 - 920.0       | 939,9  | 8,0                    | 150    | 89     | 15  | 90     | 14     | 12         |        |
| 745-28-1016-CC-D | 1000    | 40         | 1.016,00 | 1.016,00 | 40,00 |        |             |               |       | 1010.0 - 1022.0     | 1041,5 | 7,2                    | 150    | 89     | 15  | 90     | 14     | 12         |        |

CC = Material D = Rubber More detailed LNS information on page 15

Note: the above tables are guides to the most common sizes. Couplings to suit specific diameters not listed may be manufactured to order. Please contact our sales department for further details. Minimum burst is 1.5 times working pressure. Figures are based on typical values for standard wall carbon steel pipe. For use on thin or soft pipe materials such as thin wall stainless, copper alloy or plastic (by way of example only) please check with us first.

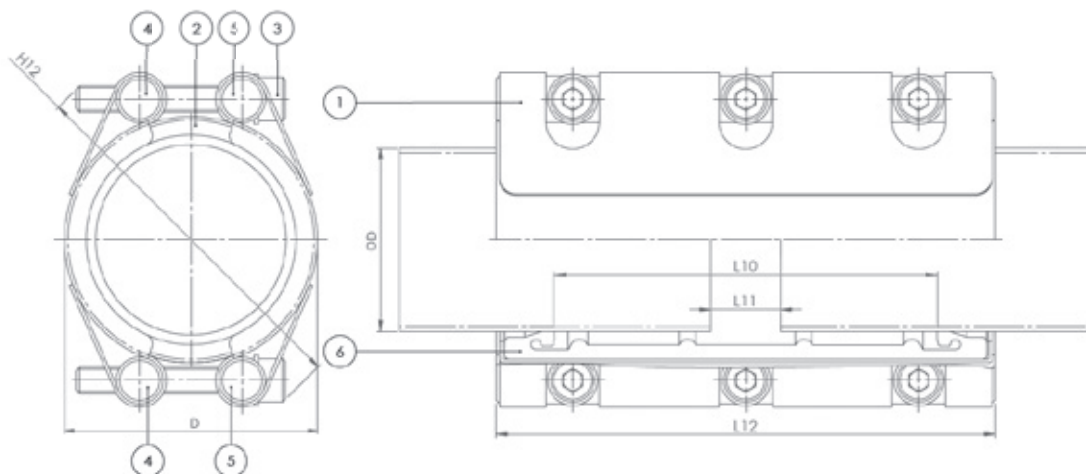
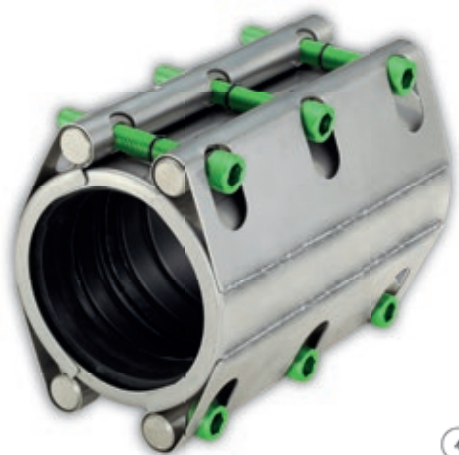


Working pressure for industrial and land-based applications.  
Minimum burst pressure is 1½ times working pressure.

# Repico® SLIP COUPLINGS

## Repico® SDL – SLIP TYPE COUPLING TWO LOCKS LONG VERSION TO CONNECT ALL PIPES

The Repico® SDL offers 2 locks instead and starts where Repico® S ends in size. It seals against 10.7 bar (155 psi) maximum. Main components of stainless steel 316. Max. angular deflection 5° for DN 15-50, 4° for DN 65-175 and 2° for DN >= 200. It is available with EPDM, NBR and Silicone seals. Repico® SDL, DN 650 up to DN 1000 (26" up to 40")



|   |             |                                   |
|---|-------------|-----------------------------------|
| 1 | Body        | Stainless steel 316               |
| 2 | Slide plate | Stainless steel 316               |
| 3 | Bolt        | Stainless steel 316 / PTFE coated |
| 4 | Nut         | Stainless steel 316               |
| 5 | Washer      | Stainless steel 316               |
| 6 | Sealing     | EPDM, NBR, Silicone or FKM rubber |

| Article number   | Pipe DN | Nom. Diam. | Pipe OD |         |      |        |             |               |       |    | Coupling range (mm) | D (mm)          | Working pressure (bar) | Length          |        | Gap | Torque | Thread | Allen head |    |
|------------------|---------|------------|---------|---------|------|--------|-------------|---------------|-------|----|---------------------|-----------------|------------------------|-----------------|--------|-----|--------|--------|------------|----|
|                  |         |            | DIN/ISO | ASTM    | ASTM | KS/JIS | CuNi metric | CuNi imperial | Other | PE |                     |                 |                        | L12 mm          | L10 mm |     |        |        |            |    |
|                  |         |            | mm      | mm      | inch | mm     | mm          | mm            | mm    | mm |                     |                 |                        | Industry SF 1,5 | L11 mm |     |        |        |            | Nm |
| 745-29-0660-CC-D | 650     | 26         |         | 660,4   | 26,0 |        |             |               |       |    |                     | 654.0-666.0     | 685,9                  | 10,7            | 250    | 185 | 15     | 90     | 16         | 14 |
| 745-29-0711-CC-D | 700     | 28         | 711,2   | 711,2   | 28,0 |        | 711,2       |               |       |    |                     | 705.0 - 717.0   | 736,7                  | 9,9             | 250    | 185 | 15     | 90     | 16         | 14 |
| 745-29-0762-CC-D | 750     | 30         |         | 762,0   | 30,0 |        |             |               |       |    |                     | 756.0 - 768.0   | 787,5                  | 9,6             | 250    | 185 | 15     | 90     | 16         | 14 |
| 745-29-0812-CC-D | 800     | 32         | 812,8   | 812,8   | 32,0 |        | 812,8       |               |       |    |                     | 806.0 - 818.0   | 838,3                  | 9,1             | 250    | 185 | 15     | 90     | 16         | 14 |
| 745-29-0863-CC-D | 850     | 34         |         | 863,6   | 34,0 |        |             |               |       |    |                     | 857.0 - 869.0   | 889,1                  | 8,5             | 250    | 185 | 15     | 90     | 16         | 14 |
| 745-29-0914-CC-D | 900     | 36         | 914,4   | 914,4   | 36,0 |        | 914,4       |               |       |    |                     | 908.0 - 920.0   | 939,9                  | 8,0             | 250    | 185 | 15     | 90     | 16         | 14 |
| 745-29-1016-CC-D | 1000    | 40         | 1.016,0 | 1.016,0 | 40,0 |        |             |               |       |    |                     | 1010.0 - 1022.0 | 1041,5                 | 7,2             | 250    | 185 | 15     | 90     | 16         | 14 |

CC = Material D = Rubber More detailed LNS information on page 15

Note: the above tables are guides to the most common sizes. Couplings to suit specific diameters not listed may be manufactured to order. Please contact our sales department for further details. Minimum burst is 1.5 times working pressure. Figures are based on typical values for standard wall carbon steel pipe. For use on thin or soft pipe materials such as thin wall stainless, copper alloy or plastic (by way of example only) please check with us first.

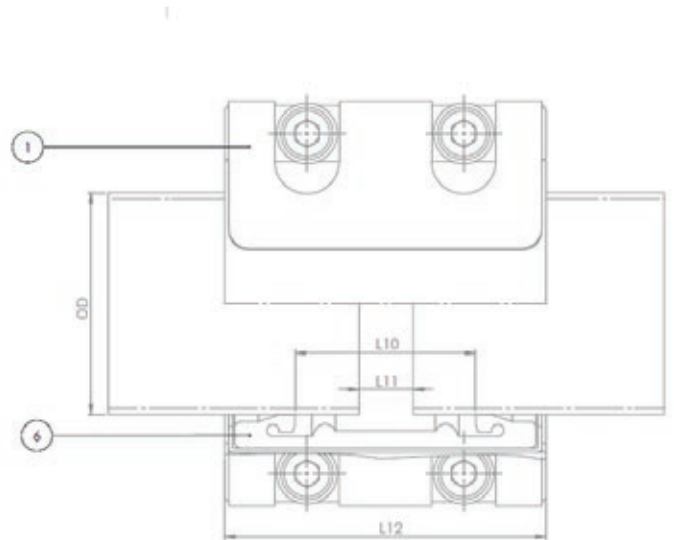
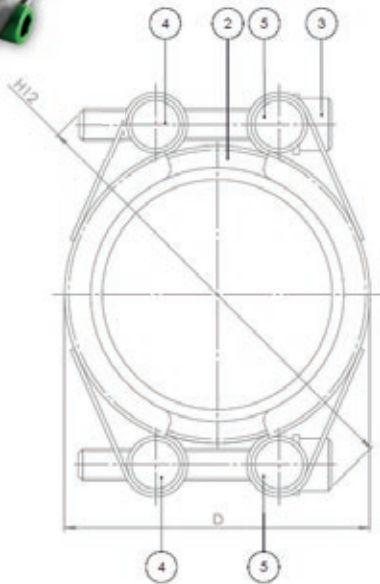
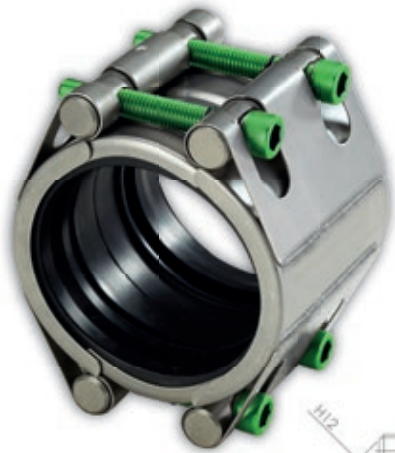


Working pressure for industrial and land-based applications. Minimum burst pressure is 1½ times working pressure.

# Repico® SLIP COUPLINGS

## Repico® SDF – SLIP TYPE COUPLING TWO LOCKS (NON-TENSILE / AXIAL FLEXIBLE) TO CONNECT ALL PIPES

The Repico® SDF is the high pressure version of the SD coupling. It seals against 16 bar (245 psi) maximum. It offers progressive sealing. It is available with EPDM, NBR, Silicone and FKM seals. Main components of stainless steel 316. Max. angular deflection 5° for DN 15-50, 4° for DN 65-175 and 2° for DN >= 200. Optionally the SDFL version is available with a longer body length. Repico® SDF, DN 650 up to DN 1000 (26" up to 40")



|   |             |                                   |
|---|-------------|-----------------------------------|
| 1 | Body        | Stainless steel 316               |
| 2 | Slide plate | Stainless steel 316               |
| 3 | Bolt        | Stainless steel 316 / PTFE coated |
| 4 | Nut         | Stainless steel 316               |
| 5 | Washer      | Stainless steel 316               |
| 6 | Sealing     | EPDM, NBR, Silicone or FKM rubber |

| Article number   | Pipe DN | Nom. Diam. | Pipe OD  |          |       |        |             |               |       | Coupling range (mm) | D (mm) | Working pressure (bar) | Length |                 | Gap    | Torque | Thread | Allen head |    |
|------------------|---------|------------|----------|----------|-------|--------|-------------|---------------|-------|---------------------|--------|------------------------|--------|-----------------|--------|--------|--------|------------|----|
|                  |         |            | DIN/ISO  | ASTM     | ASTM  | KS/JIS | CuNi metric | CuNi imperial | Other |                     |        |                        | PE     | L12 mm          | L10 mm | L11 mm | Nm     | M          | mm |
|                  |         |            | mm       | mm       | inch  | mm     | mm          | mm            | mm    |                     |        |                        | mm     | Industry SF 1.5 |        |        |        |            |    |
| 745-32-0660-CC-D | 650     | 26         |          | 660,40   | 26,00 |        |             |               |       | 654.0 - 666.0       | 687,4  | 16,0                   | 152    | 89              | 15     | 120    | 14     | 12         |    |
| 745-32-0711-CC-D | 700     | 28         | 711,20   | 711,20   | 28,00 |        | 711,20      |               |       | 705.0 - 717.0       | 738,2  | 14,9                   | 152    | 89              | 15     | 120    | 14     | 12         |    |
| 745-32-0762-CC-D | 750     | 30         |          | 762,00   | 30,00 |        |             |               |       | 756.0 - 768.0       | 789,0  | 14,1                   | 152    | 89              | 15     | 120    | 14     | 12         |    |
| 745-32-0812-CC-D | 800     | 32         | 812,80   | 812,80   | 32,00 |        | 812,80      |               |       | 806.0 - 818.0       | 839,8  | 13,3                   | 152    | 89              | 15     | 120    | 14     | 12         |    |
| 745-32-0863-CC-D | 850     | 34         |          | 863,60   | 34,00 |        |             |               |       | 857.0 - 869.0       | 890,6  | 12,5                   | 152    | 89              | 15     | 120    | 14     | 12         |    |
| 745-32-0914-CC-D | 900     | 36         | 914,40   | 914,40   | 36,00 |        | 914,40      |               |       | 908.0 - 920.0       | 941,4  | 11,7                   | 152    | 89              | 15     | 120    | 14     | 12         |    |
| 745-32-1016-CC-D | 1000    | 40         | 1.016,00 | 1.016,00 | 40,00 |        |             |               |       | 1010.0 - 1022.0     | 1043,0 | 10,7                   | 152    | 89              | 15     | 120    | 14     | 12         |    |

CC = Material D = Rubber More detailed LNS information on page 15

Note: the above tables are guides to the most common sizes. Couplings to suit specific diameters not listed may be manufactured to order. Please contact our sales department for further details. Minimum burst is 1.5 times working pressure. Figures are based on typical values for standard wall carbon steel pipe. For use on thin or soft pipe materials such as thin wall stainless, copper alloy or plastic (by way of example only) please check with us first.



Working pressure for industrial and land-based applications.  
Minimum burst pressure is 1½ times working pressure.

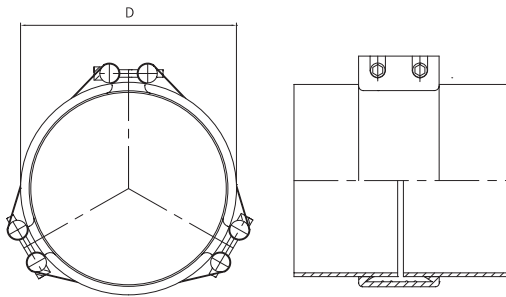
# Repico® SLIP COUPLINGS

## Repico® ST(L) / SQ(L) – SLIP TYPE COUPLING THREE / FOUR LOCKS (NON-TENSILE / AXIAL FLEXIBLE)

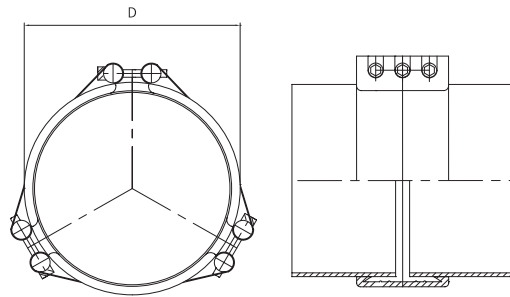
The Repico® ST(L) and SQ(L) offer 3 and 4 locks and are typically used for bigger sized couplings. They are also available with longer body lengths and in a high pressure version. They are available up to DN 2000 (80")

Note: If longer body lengths are required for the SD(F)L/ST(F)L/SQ(F)L than specified don't hesitate to contact our sales department as we have possibilities to manufacture non-standard lengths.

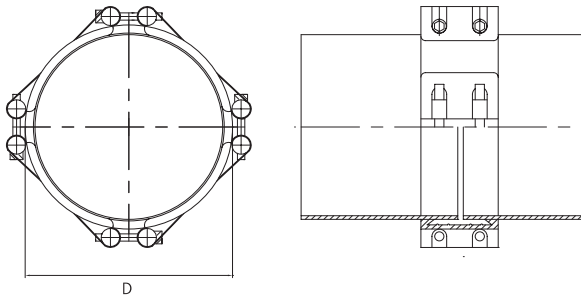
Repico ST



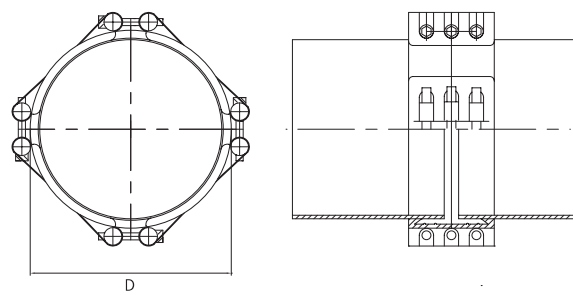
Repico STL



Repico SQ



Repico SQL



| Repico® ST       | Pipe DN | Nom. Diam. | Pipe OD  |          |       |        |             |               |       | Coupling range (mm) | D (mm)          | Working pressure (bar) | Length |                 |        | Gap | Torque | Thread | Allen head |
|------------------|---------|------------|----------|----------|-------|--------|-------------|---------------|-------|---------------------|-----------------|------------------------|--------|-----------------|--------|-----|--------|--------|------------|
|                  |         |            | DIN/ISO  | ASTM     | ASTM  | KS/JIS | CuNi metric | CuNi imperial | Other |                     |                 |                        | PE     | Industry SF 1,5 | L12 mm |     |        |        |            |
| Article number   |         |            | mm       | mm       | inch  | mm     | mm          | mm            | mm    | mm                  |                 |                        |        |                 | Nm     | M   | mm     |        |            |
| 745-36-1117-CC-D | 1100    | 44         | 1.118,00 | 1.117,60 | 44,00 |        |             |               |       |                     | 1111.0 - 1123.0 | 1143,1                 | 6,7    | 150             | 89     | 15  | 90     | 14     | 12         |
| 745-36-1219-CC-D | 1200    | 48         | 1.219,20 | 1.219,20 | 48,00 |        |             |               |       |                     | 1213.0 - 1225.0 | 1244,7                 | 6,1    | 150             | 89     | 15  | 90     | 14     | 12         |
| 745-36-1320-CC-D | 1300    | 52         |          | 1.320,80 | 52,00 |        |             |               |       |                     | 1316.0 - 1325.0 | 1346,3                 | 5,6    | 150             | 89     | 15  | 90     | 14     | 12         |
| 745-36-1371-CC-D | 1350    | 54         |          | 1.371,20 | 54,00 |        |             |               |       |                     | 1365.0 - 1377.0 | 1396,7                 | 5,3    | 150             | 89     | 15  | 90     | 14     | 12         |
| 745-36-1422-CC-D | 1400    | 56         | 1.422,40 | 1.422,40 | 56,00 |        |             |               |       |                     | 1418.0 - 1427.0 | 1447,9                 | 5,1    | 150             | 89     | 15  | 90     | 14     | 12         |
| 745-36-1524-CC-D | 1500    | 60         |          | 1.524,00 | 60,00 |        |             |               |       |                     | 1518.0 - 1530.0 | 1549,5                 | 4,8    | 150             | 89     | 15  | 90     | 14     | 12         |

CC = Material D = Rubber More detailed LNS information on page 15

| Repico® STL      | Pipe DN | Nom. Diam. | Pipe OD  |          |       |        |             |               |       | Coupling range (mm) | D (mm)          | Working pressure (bar) | Length |                 |        | Gap | Torque | Thread | Allen head |
|------------------|---------|------------|----------|----------|-------|--------|-------------|---------------|-------|---------------------|-----------------|------------------------|--------|-----------------|--------|-----|--------|--------|------------|
|                  |         |            | DIN/ISO  | ASTM     | ASTM  | KS/JIS | CuNi metric | CuNi imperial | Other |                     |                 |                        | PE     | Industry SF 1,5 | L12 mm |     |        |        |            |
| Article number   |         |            | mm       | mm       | inch  | mm     | mm          | mm            | mm    | mm                  |                 |                        |        |                 | Nm     | M   | mm     |        |            |
| 745-37-1117-CC-D | 1100    | 44         | 1.118,0  | 1.117,60 | 44,00 |        |             |               |       |                     | 1111.0 - 1123.0 | 1143,1                 | 6,7    | 250             | 185    | 15  | 90     | 16     | 14         |
| 745-37-1219-CC-D | 1200    | 48         | 1.220,00 | 1.219,20 | 48,00 |        |             |               |       |                     | 1213.0 - 1225.0 | 1244,7                 | 6,1    | 250             | 185    | 15  | 90     | 16     | 14         |
| 745-37-1320-CC-D | 1300    | 52         | 1.118,0  | 1.320,80 | 52,00 |        |             |               |       |                     | 1316.0 - 1325.0 | 1346,3                 | 5,6    | 250             | 185    | 15  | 90     | 16     | 14         |
| 745-37-1371-CC-D | 1350    | 54         | 1.118,0  | 1.371,20 | 54,00 |        |             |               |       |                     | 1365.0 - 1377.0 | 1396,7                 | 5,3    | 250             | 185    | 15  | 90     | 16     | 14         |
| 745-37-1422-CC-D | 1400    | 56         | 1.420,00 | 1.422,40 | 56,00 |        |             |               |       |                     | 1418.0 - 1427.0 | 1447,9                 | 5,1    | 250             | 185    | 15  | 90     | 16     | 14         |
| 745-37-1524-CC-D | 1500    | 60         | 1.118,0  | 1.524,00 | 60,00 |        |             |               |       |                     | 1518.0 - 1530.0 | 1549,5                 | 4,8    | 250             | 185    | 15  | 90     | 16     | 14         |

CC = Material D = Rubber More detailed LNS information on page 15

| Repico® SQ       | Pipe DN | Nom. Diam. | Pipe OD  |          |       |        |             |               |       | Coupling range (mm) | D (mm)          | Working pressure (bar) | Length |                 |        | Gap | Torque | Thread | Allen head |
|------------------|---------|------------|----------|----------|-------|--------|-------------|---------------|-------|---------------------|-----------------|------------------------|--------|-----------------|--------|-----|--------|--------|------------|
|                  |         |            | DIN/ISO  | ASTM     | ASTM  | KS/JIS | CuNi metric | CuNi imperial | Other |                     |                 |                        | PE     | Industry SF 1,5 | L12 mm |     |        |        |            |
| Article number   |         |            | mm       | mm       | inch  | mm     | mm          | mm            | mm    | mm                  |                 |                        |        |                 | Nm     | M   | mm     |        |            |
| 745-44-1625-CC-D | 1600    | 64         | 1.625,60 | 1.626,00 | 64,00 |        |             |               |       |                     | 1621.0 - 1631.0 | 1651,1                 | 4,5    | 150             | 89     | 15  | 90     | 14     | 12         |
| 745-44-1676-CC-D | 1650    | 66         |          |          |       |        |             |               |       |                     | 1672.0 - 1682.0 | 1701,9                 | 4,3    | 150             | 89     | 15  | 90     | 14     | 12         |
| 745-44-1727-CC-D | 1700    | 68         |          | 1.727,00 | 68,00 |        |             |               |       |                     | 1722.0 - 1732.0 | 1752,7                 | 4,3    | 150             | 89     | 15  | 90     | 14     | 12         |
| 745-44-1828-CC-D | 1800    | 72         | 1.828,80 | 1.829,00 | 72,00 |        |             |               |       |                     | 1822.0 - 1834.0 | 1854,3                 | 4,0    | 150             | 89     | 15  | 90     | 14     | 12         |
| 745-44-1930-CC-D | 1900    | 76         |          | 1.930,00 | 76,00 |        |             |               |       |                     | 1924.0 - 1936.0 | 1955,9                 | 3,7    | 150             | 89     | 15  | 90     | 14     | 12         |
| 745-44-2032-CC-D | 2000    | 80         | 2.032,00 |          |       |        |             |               |       |                     | 2026.0 - 2038.0 | 2057,5                 | 3,5    | 150             | 89     | 15  | 90     | 14     | 12         |

CC = Material D = Rubber More detailed LNS information on page 15

| Repico® SQL      | Pipe DN | Nom. Diam. | Pipe OD  |          |       |        |             |               |       | Coupling range (mm) | D (mm)          | Working pressure (bar) | Length |                 |        | Gap | Torque | Thread | Allen head |
|------------------|---------|------------|----------|----------|-------|--------|-------------|---------------|-------|---------------------|-----------------|------------------------|--------|-----------------|--------|-----|--------|--------|------------|
|                  |         |            | DIN/ISO  | ASTM     | ASTM  | KS/JIS | CuNi metric | CuNi imperial | Other |                     |                 |                        | PE     | Industry SF 1,5 | L12 mm |     |        |        |            |
| Article number   |         |            | mm       | mm       | inch  | mm     | mm          | mm            | mm    | mm                  |                 |                        |        |                 | Nm     | M   | mm     |        |            |
| 745-45-1625-CC-D | 1600    | 64         | 1.625,60 | 1.626,00 | 64,00 |        |             |               |       |                     | 1621.0 - 1631.0 | 1651,1                 | 4,5    | 250             | 185    | 15  | 90     | 16     | 14         |
| 745-45-1676-CC-D | 1650    | 66         |          |          |       |        |             |               |       |                     | 1672.0 - 1682.0 | 1701,9                 | 4,3    | 250             | 185    | 15  | 90     | 16     | 14         |
| 745-45-1727-CC-D | 1700    | 68         |          | 1.727,00 | 68,00 |        |             |               |       |                     | 1722.0 - 1732.0 | 1752,7                 | 4,3    | 250             | 185    | 15  | 90     | 16     | 14         |
| 745-45-1828-CC-D | 1800    | 72         | 1.828,80 | 1.829,00 | 72,00 |        |             |               |       |                     | 1822.0 - 1834.0 | 1854,3                 | 4,0    | 250             | 185    | 15  | 90     | 16     | 14         |
| 745-45-1930-CC-D | 1900    | 76         |          | 1.930,00 | 76,00 |        |             |               |       |                     | 1924.0 - 1936.0 | 1955,9                 | 3,7    | 250             | 185    | 15  | 90     | 16     | 14         |
| 745-45-2032-CC-D | 2000    | 80         | 2.032,00 |          |       |        |             |               |       |                     | 2026.0 - 2038.0 | 2057,5                 | 3,5    | 250             | 185    | 15  | 90     | 16     | 14         |

CC = Material D = Rubber More detailed LNS information on page 15

Note: the above tables are guides to the most common sizes. Couplings to suit specific diameters not listed may be manufactured to order. Please contact our sales department for further details. Minimum burst is 1.5 times working pressure. Figures are based on typical values for standard wall carbon steel pipe. For use on thin or soft pipe materials such as thin wall stainless, copper alloy or plastic (by way of example only) please check with us first.

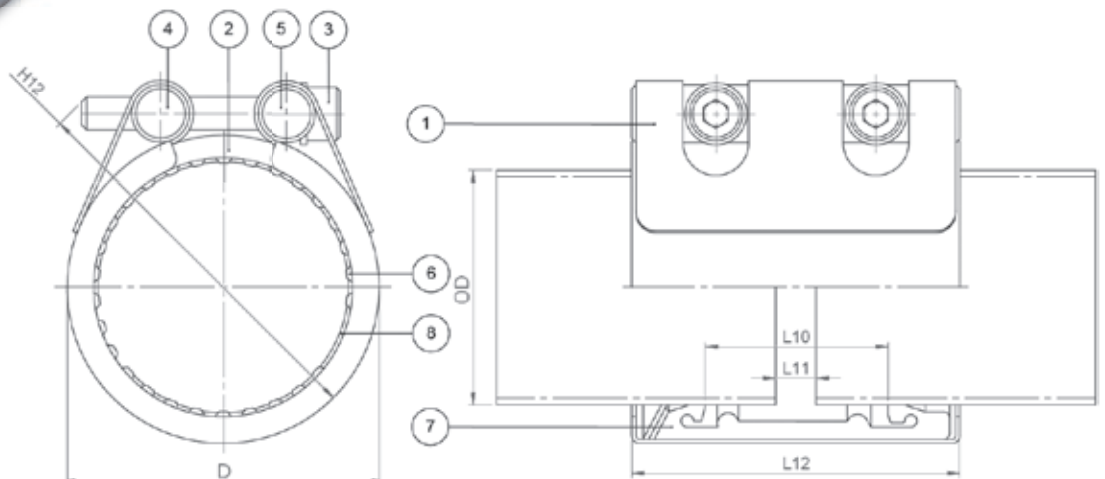


Working pressure for industrial and land-based applications.  
Minimum burst pressure is 1½ times working pressure.

# Repico® SLIP GRIP COUPLINGS

## Repico® SG – SLIP GRIP TYPE COUPLING (NON-TENSILE – TENSILE / AXIAL FLEXIBLE)

The Repico® Slip Grip is a combination of a slip and a grip coupling. The benefits of 2 types that are combined is as the coupling is secured to one pipe and allowing the other to expand and retract in the other side. One pipe will be restraint by its support, the other will be able to move within the support. This way the maximum of vibrations and noise in the system can be eliminated. It seals against 42.7 bar (620 psi) maximum up until DN50 (2"). It's available with EPDM, NBR, Silicone and FKM seals. Main components of stainless steel 316. Max. angular deflection 5° for DN 15-50, 4° for DN 65-175 and 2° for DN >= 200. Available from DN 15 up to 300 (2 ½" up to 12"). Optionally the SGL version is available with a longer body length. **Repico® SG, DN 15 up to DN 300 (2 ½" up to 12")**



|   |              |                                   |
|---|--------------|-----------------------------------|
| 1 | Body         | Stainless steel 316               |
| 2 | Slide plate  | Stainless steel 316               |
| 3 | Bolt         | Stainless steel 316 / PTFE coated |
| 4 | Nut          | Stainless steel 316               |
| 5 | Washer       | Stainless steel 316               |
| 6 | Grip segment | Stainless steel 301H              |
| 7 | Sealing      | EPDM, NBR, Silicone or FKM rubber |
| 8 | Support ring | Stainless steel 301H              |



| Article number      | Pipe DN | Pipe OD    |         |        |       |        |             |               |        |        | Coupling range (mm) | D (mm) | Working pressure (bar) | Length |        |        |                 |    | Torque Nm | Thread M | Allen head mm |
|---------------------|---------|------------|---------|--------|-------|--------|-------------|---------------|--------|--------|---------------------|--------|------------------------|--------|--------|--------|-----------------|----|-----------|----------|---------------|
|                     |         | Nom. Diam. | DIN/ISO | ASTM   | ASTM  | KS/JIS | CuNi metric | CuNi imperial | Other  | PE     |                     |        |                        | L12 mm | L10 mm | L11 mm | Industry SF 1.5 |    |           |          |               |
|                     |         | mm         | mm      | inch   | mm    | mm     | mm          | mm            | mm     | mm     |                     |        |                        |        |        |        |                 |    |           |          |               |
| 745-52-0020-CC-D-07 | 15      |            |         |        | 0,79  |        |             |               |        | 20,00  | 19.5 - 20.5         | 33,5   | 42,7                   | 60     | 28     | 5      | 7               | 6  | 5         |          |               |
| 745-52-0021-CC-D-07 | 15      | 1/2        | 21,30   | 21,30  | 0,84  | 21,70  |             |               |        |        | 21.2 - 22.2         | 35,2   | 42,7                   | 60     | 28     | 5      | 7               | 6  | 5         |          |               |
| 745-52-0025-CC-D-07 | 20      |            |         |        | 0,98  |        |             |               |        | 25,00  | 24.5 - 25.5         | 38,5   | 42,7                   | 60     | 28     | 5      | 8               | 8  | 6         |          |               |
| 745-52-0027-CC-D-07 | 20      | 3/4        | 26,90   | 26,70  | 1,05  | 26,70  |             |               |        |        | 26.7 - 27.7         | 40,7   | 42,7                   | 60     | 28     | 5      | 8               | 8  | 6         |          |               |
| 745-52-0028-CC-D-07 | 20      |            |         |        | 1,11  |        |             |               |        |        | 27.5 - 29.0         | 41,6   | 42,7                   | 60     | 28     | 5      | 8               | 8  | 6         |          |               |
| 745-52-0030-CC-D-07 | 25      |            |         |        | 1,18  |        | 30,00       |               |        |        | 29.5 - 30.5         | 43,5   | 42,7                   | 60     | 28     | 5      | 8               | 8  | 6         |          |               |
| 745-52-0032-CC-D-07 | 25      |            |         |        | 1,26  |        |             |               |        | 32,00  | 31.5 - 32.5         | 45,5   | 42,7                   | 60     | 28     | 5      | 8               | 8  | 6         |          |               |
| 745-52-0034-CC-D-07 | 25      | 1          | 33,70   | 33,40  | 1,32  | 34,00  |             | 34,59         | 33,70  |        | 33.0 - 34.6         | 47,5   | 42,7                   | 60     | 28     | 5      | 8               | 8  | 6         |          |               |
| 745-52-0038-CC-D-07 | 32      |            |         |        | 1,50  |        | 38,00       |               | 38,00  |        | 37.5 - 38.5         | 51,5   | 42,7                   | 60     | 28     | 5      | 10              | 8  | 6         |          |               |
| 745-52-0040-CC-D-07 | 32      |            |         |        | 1,57  |        |             | 40,94         |        | 40,00  | 39.5 - 41.5         | 53,5   | 42,7                   | 60     | 28     | 5      | 10              | 8  | 6         |          |               |
| 745-52-0042-CC-D-07 | 32      | 1 1/4      | 42,40   | 42,40  | 1,66  | 42,70  |             |               |        |        | 41.9 - 43.0         | 56,0   | 42,7                   | 60     | 28     | 5      | 10              | 8  | 6         |          |               |
| 745-52-0044-CC-D-07 | 32      |            |         |        | 1,75  |        | 44,50       |               | 44,50  |        | 44.0 - 45.0         | 58,0   | 42,7                   | 60     | 28     | 5      | 10              | 8  | 6         |          |               |
| 745-52-0048-CC-D-07 | 40      | 1 1/2      | 48,30   | 48,30  | 1,90  | 48,60  |             |               |        |        | 47.8 - 49.0         | 62,0   | 42,7                   | 60     | 28     | 5      | 10              | 8  | 6         |          |               |
| 745-52-0050-CC-D-07 | 40      |            |         |        | 2,00  |        |             |               |        | 50,00  | 49.5 - 51.5         | 64,5   | 42,7                   | 60     | 28     | 5      | 10              | 8  | 6         |          |               |
| 745-52-0054-CC-D-07 | 50      |            |         |        | 2,13  |        |             | 54,05         | 54,00  |        | 53.4 - 54.6         | 69,6   | 42,7                   | 80     | 44     | 5      | 15              | 8  | 6         |          |               |
| 745-52-0057-CC-D-07 | 50      |            |         |        | 2,24  |        | 57,00       |               | 57,00  |        | 56.4 - 57.6         | 72,6   | 42,7                   | 80     | 44     | 5      | 15              | 8  | 6         |          |               |
| 745-52-0060-CC-D-07 | 50      | 2          | 60,30   | 60,30  | 2,38  | 60,50  |             |               |        |        | 59.0 - 61.5         | 76,0   | 42,7                   | 80     | 44     | 5      | 15              | 8  | 6         |          |               |
| 745-52-0063-CC-D-07 | 50      |            |         |        | 2,48  |        |             |               |        | 63,00  | 62.4 - 63.6         | 78,6   | 42,7                   | 80     | 44     | 5      | 15              | 8  | 6         |          |               |
| 745-52-0066-CC-D-07 | 65      |            |         |        | 2,63  |        |             | 66,75         |        |        | 65.2 - 67.3         | 82,3   | 37,3                   | 80     | 44     | 5      | 15              | 8  | 6         |          |               |
| 745-52-0069-CC-D-07 | 65      |            |         |        | 2,72  |        |             |               | 69,00  |        | 68.0 - 70.1         | 84,6   | 37,3                   | 80     | 44     | 5      | 15              | 8  | 6         |          |               |
| 745-52-0073-CC-D-07 | 65      | 2 1/2      |         | 73,00  | 2,88  |        |             |               |        |        | 71.5 - 74.1         | 88,6   | 37,3                   | 80     | 44     | 5      | 15              | 8  | 6         |          |               |
| 745-52-0076-CC-D-07 | 65      |            | 76,10   |        | 3,00  | 76,30  | 76,10       |               | 76,10  | 75,00  | 75.0 - 77.2         | 92,0   | 37,3                   | 80     | 44     | 5      | 15              | 8  | 6         |          |               |
| 745-52-0079-CC-D-07 | 80      |            |         |        | 3,15  |        |             | 79,85         |        |        | 78.8 - 80.8         | 101,0  | 37,3                   | 110    | 59     | 5      | 20              | 12 | 10        |          |               |
| 745-52-0084-CC-D-07 | 80      |            |         |        | 3,31  |        |             |               | 84,00  |        | 83.0 - 84.9         | 105,0  | 37,3                   | 110    | 59     | 5      | 20              | 12 | 10        |          |               |
| 745-52-0089-CC-D-07 | 80      | 3          | 88,90   | 88,90  | 3,50  | 89,10  | 88,90       |               | 88,90  | 90,00  | 87.8 - 91.0         | 110,0  | 37,3                   | 110    | 59     | 5      | 20              | 12 | 10        |          |               |
| 745-52-0101-CC-D-07 | 90      | 3 1/2      | 101,60  | 101,60 | 4,00  | 101,60 |             |               |        |        | 100.4 - 102.6       | 123,0  | 37,3                   | 110    | 59     | 5      | 20              | 12 | 10        |          |               |
| 745-52-0104-CC-D-07 | 100     |            |         |        | 4,09  |        |             |               |        |        | 103.0 - 104.8       | 125,0  | 37,3                   | 110    | 59     | 5      | 20              | 12 | 10        |          |               |
| 745-52-0106-CC-D-07 | 100     |            |         |        | 4,19  |        |             | 106,27        |        |        | 105.0 - 107.4       | 127,3  | 37,3                   | 110    | 59     | 5      | 20              | 12 | 10        |          |               |
| 745-52-0108-CC-D-07 | 100     |            |         |        | 4,25  |        | 108,00      |               |        |        | 106.5 - 108.5       | 129,0  | 37,3                   | 110    | 59     | 5      | 20              | 12 | 10        |          |               |
| 745-52-0114-CC-D-07 | 100     | 4          | 114,30  | 114,30 | 4,50  | 114,30 |             |               | 114,30 |        | 113.2 - 115.4       | 135,3  | 37,3                   | 110    | 59     | 5      | 20              | 12 | 10        |          |               |
| 745-52-0127-CC-D-07 | 125     |            |         |        | 5,00  |        |             |               |        |        | 125.6 - 128.4       | 149,0  | 37,3                   | 111    | 59     | 5      | 30              | 12 | 10        |          |               |
| 745-52-0129-CC-D-07 | 125     |            |         |        | 5,08  |        |             |               |        |        | 127.5 - 130.0       | 151,0  | 37,3                   | 111    | 59     | 5      | 30              | 12 | 10        |          |               |
| 745-52-0133-CC-D-07 | 125     |            |         |        | 5,24  |        | 133,00      | 131,67        |        |        | 131.6 - 134.4       | 155,0  | 37,3                   | 111    | 59     | 5      | 30              | 12 | 10        |          |               |
| 745-52-0139-CC-D-07 | 125     |            | 139,70  |        | 5,50  | 139,80 |             |               | 139,70 |        | 137.7 - 140.9       | 162,0  | 37,3                   | 111    | 59     | 5      | 30              | 12 | 10        |          |               |
| 745-52-0141-CC-D-07 | 125     | 5          |         | 141,30 | 5,63  |        |             |               |        | 140,00 | 139.7 - 142.5       | 163,3  | 37,3                   | 111    | 59     | 5      | 30              | 12 | 10        |          |               |
| 745-52-0154-CC-D-07 | 150     |            |         |        | 6,06  |        |             |               |        |        | 151.5 - 155.0       | 176,0  | 32,0                   | 111    | 59     | 5      | 30              | 12 | 10        |          |               |
| 745-52-0159-CC-D-07 | 150     |            |         |        | 6,26  |        | 159,00      | 157,68        |        | 160,00 | 156.5 - 160.0       | 181,0  | 32,0                   | 111    | 59     | 5      | 30              | 12 | 10        |          |               |
| 745-52-0165-CC-D-07 | 150     |            |         |        | 6,50  | 165,20 |             |               |        |        | 163.3 - 166.7       | 187,0  | 32,0                   | 111    | 59     | 5      | 30              | 12 | 10        |          |               |
| 745-52-0168-CC-D-07 | 150     | 6          | 168,30  | 168,30 | 6,63  |        |             |               | 168,30 |        | 166.6 - 170.0       | 190,3  | 32,0                   | 111    | 59     | 5      | 30              | 12 | 10        |          |               |
| 745-52-0180-CC-D-07 | 175     |            |         |        | 7,09  |        |             |               |        | 180,00 | 178.0 - 182.0       | 202,0  | 26,7                   | 111    | 59     | 5      | 30              | 12 | 10        |          |               |
| 745-52-0200-CC-D-07 | 200     |            |         |        | 7,87  |        |             |               |        | 200,00 | 198.2 - 201.5       | 226,6  | 21,3                   | 150    | 89     | 10     | 60              | 14 | 12        |          |               |
| 745-52-0204-CC-D-07 | 200     |            |         |        | 8,03  |        |             |               |        |        | 202.7 - 206.7       | 230,6  | 21,3                   | 150    | 89     | 10     | 60              | 14 | 12        |          |               |
| 745-52-0216-CC-D-07 | 200     |            |         |        | 8,52  | 216,30 |             |               |        |        | 214.5 - 218.3       | 243,0  | 21,3                   | 150    | 89     | 10     | 60              | 14 | 12        |          |               |
| 745-52-0219-CC-D-07 | 200     | 8          | 219,10  | 219,10 | 8,63  |        | 219,00      |               | 219,00 |        | 217.0 - 221.0       | 245,7  | 21,3                   | 150    | 89     | 10     | 60              | 14 | 12        |          |               |
| 745-52-0254-CC-D-07 | 250     |            |         |        | 10,00 |        |             |               |        |        | 251.4 - 256.6       | 280,6  | 21,3                   | 150    | 89     | 10     | 60              | 14 | 12        |          |               |
| 745-52-0267-CC-D-07 | 250     |            |         |        | 10,53 | 267,40 | 267,00      |               |        |        | 264.8 - 270.0       | 294,0  | 21,3                   | 150    | 89     | 10     | 60              | 14 | 12        |          |               |
| 745-52-0273-CC-D-07 | 250     | 10         | 273,00  | 273,10 | 10,75 |        |             |               | 273,00 |        | 270.4 - 275.6       | 299,7  | 21,3                   | 150    | 89     | 10     | 60              | 14 | 12        |          |               |
| 745-52-0304-CC-D-07 | 300     |            |         |        | 11,97 |        |             |               |        |        | 301.5 - 306.6       | 330,6  | 18,7                   | 150    | 89     | 10     | 60              | 14 | 12        |          |               |
| 745-52-0318-CC-D-07 | 300     |            |         |        | 12,54 | 318,50 |             |               |        |        | 316.0 - 322.0       | 345,0  | 18,7                   | 150    | 89     | 10     | 60              | 14 | 12        |          |               |
| 745-52-0321-CC-D-07 | 300     | 12         | 323,90  | 323,90 | 12,75 |        | 323,90      |               | 323,90 |        | 321.0 - 327.4       | 350,5  | 18,7                   | 150    | 89     | 10     | 60              | 14 | 12        |          |               |

CC = Material D = Rubber More detailed LNS information on page 15

Note: the above tables are guides to the most common sizes. Couplings to suit specific diameters not listed may be manufactured to order. Please contact our sales department for further details. Minimum burst is 1.5 times working pressure. Figures are based on typical values for standard wall carbon steel pipe. For use on thin or soft pipe materials such as thin wall stainless, copper alloy or plastic (by way of example only) please check with us first.



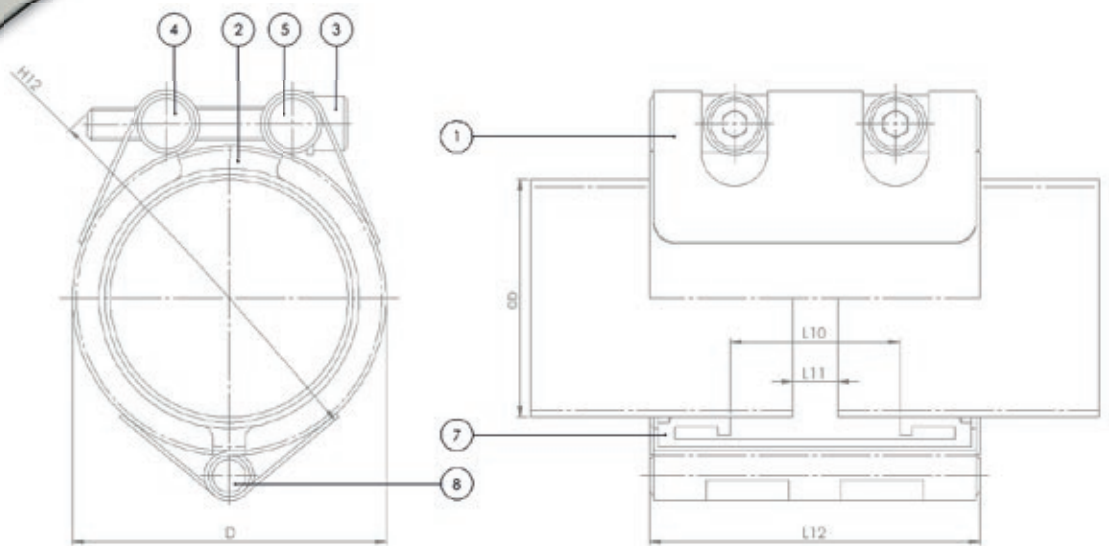
Working pressure for industrial and land-based applications.  
Minimum burst pressure is 1½ times working pressure.

# Repico® REPAIR COUPLINGS

The Repico® range of repair couplings offers the possibility to repair a pipe when it is damaged or the integrity has degraded. This can be a temporary or permanent repair. All repair couplings have hinges or locks allowing the clamp to be “wrapped” around the damaged area. A repair coupling offers a quicker solution than replacing a pipe section and much less cost is involved. Spills into the environment or loss of valuable products can be stopped faster than most other methods offering a high integrity solution. Having several of them in stock can resolve unwanted situations by just torquing a few bolts.

## Repico® RH – HINGE TYPE REPAIR COUPLING

The Repico® RH has a hinge to allow easy installation around the pipe. It seals against 42.7 bar (620 psi) maximum up to DN 50 (2”) and is available in lengths from 60 to 150 mm (2.4” to 5.9”) depending on the diameter. It offers progressive sealing. It is available with EPDM, NBR, Silicone and FKM seals. Main components of stainless steel 316. Repico® RH, DN 15 up to DN 600 (1/2” up to 24”)



|   |             |                                   |
|---|-------------|-----------------------------------|
| 1 | Body        | Stainless steel 316               |
| 2 | Slide plate | Stainless steel 316               |
| 3 | Bolt        | Stainless steel 316 / PTFE coated |
| 4 | Nut         | Stainless steel 316               |
| 5 | Washer      | Stainless steel 316               |
| 6 | Sealing     | EPDM, NBR, Silicone or FKM rubber |
| 7 | Rod         | Stainless steel 316               |

| Article number   | Pipe DN | Pipe OD    |         |        |        |        |             |               |       | Coupling range (mm) | D (mm)        | Working pressure (bar) | Length |                 | Torque | Thread | Allen head |        |        |
|------------------|---------|------------|---------|--------|--------|--------|-------------|---------------|-------|---------------------|---------------|------------------------|--------|-----------------|--------|--------|------------|--------|--------|
|                  |         | Nom. Diam. | DIN/ISO | ASTM   | ASTM   | KS/JIS | CuNi metric | CuNi imperial | Other |                     |               |                        | PE     | Industry SF 1,5 |        |        |            | L12 mm | L10 mm |
|                  |         | mm         | mm      | inch   | mm     | mm     | mm          | mm            | mm    |                     |               |                        | mm     | mm              |        |        |            | Nm     | M      |
| 747-81-0020-CC-D | 15      |            |         |        | 0,79   |        |             |               |       | 20,00               | 19.5 - 20.5   | 33,1                   | 42,7   | 60              | 28     | 5      | 6          | 5      |        |
| 747-81-0021-CC-D | 15      | 1/2        | 21,30   | 21,30  | 0,84   | 21,70  |             |               |       |                     | 21.0 - 22.0   | 34,8                   | 42,7   | 60              | 28     | 5      | 6          | 5      |        |
| 747-81-0025-CC-D | 20      |            |         |        | 0,98   |        |             |               |       | 25,00               | 24.0 - 26.0   | 38,1                   | 42,7   | 60              | 28     | 7      | 6          | 5      |        |
| 747-81-0027-CC-D | 20      | 3/4        | 26,90   | 26,70  | 1,05   | 26,70  |             |               |       |                     | 26.0 - 28.0   | 40,3                   | 42,7   | 60              | 28     | 7      | 6          | 5      |        |
| 747-81-0028-CC-D | 20      |            |         |        | 1,11   |        |             | 28,24         |       |                     | 26.4 - 29.0   | 41,3                   | 42,7   | 60              | 28     | 7      | 6          | 5      |        |
| 747-81-0030-CC-D | 25      |            |         |        | 1,18   |        | 30,00       |               |       |                     | 29.0 - 31.0   | 43,1                   | 42,7   | 60              | 28     | 7      | 6          | 5      |        |
| 747-81-0032-CC-D | 25      |            |         |        | 1,26   |        |             |               |       | 32,00               | 31.0 - 33.0   | 45,1                   | 42,7   | 60              | 28     | 7      | 6          | 5      |        |
| 747-81-0034-CC-D | 25      | 1          | 33,70   | 33,40  | 1,32   | 34,00  |             | 34,59         | 33,70 |                     | 33.0 - 35.0   | 47,1                   | 42,7   | 60              | 28     | 7      | 6          | 5      |        |
| 747-81-0038-CC-D | 32      |            |         |        | 1,50   |        | 38,00       |               | 38,00 |                     | 37.0 - 39.0   | 51,1                   | 42,7   | 60              | 28     | 7      | 8          | 6      |        |
| 747-81-0040-CC-D | 32      |            |         |        | 1,57   |        |             | 40,94         |       | 40,00               | 39.5 - 41.3   | 53,1                   | 42,7   | 60              | 28     | 7      | 8          | 6      |        |
| 747-81-0042-CC-D | 32      | 1 1/4      | 42,40   | 42,40  | 1,66   | 42,70  |             |               |       |                     | 42.0 - 44.0   | 55,8                   | 42,7   | 60              | 28     | 7      | 8          | 6      |        |
| 747-81-0044-CC-D | 32      |            |         |        | 1,75   |        | 44,50       |               | 44,50 |                     | 44.0 - 46.0   | 57,6                   | 42,7   | 60              | 28     | 7      | 8          | 6      |        |
| 747-81-0048-CC-D | 40      | 1 1/2      | 48,30   | 48,30  | 1,90   | 48,60  |             |               |       |                     | 47.5 - 49.5   | 61,7                   | 42,7   | 60              | 28     | 7      | 8          | 6      |        |
| 747-81-0050-CC-D | 40      |            |         |        | 2,00   |        |             |               |       | 50,00               | 49.2 - 51.5   | 63,9                   | 42,7   | 60              | 28     | 7      | 8          | 6      |        |
| 747-81-0054-CC-D | 50      |            |         |        | 2,13   |        |             | 54,05         | 54,00 |                     | 53.0 - 55.0   | 70,0                   | 42,7   | 80              | 44     | 12     | 8          | 6      |        |
| 747-81-0057-CC-D | 50      |            |         |        | 2,24   |        | 57,00       |               | 57,00 |                     | 56.0 - 58.0   | 73,0                   | 42,7   | 80              | 44     | 12     | 8          | 6      |        |
| 747-81-0060-CC-D | 50      | 2          | 60,30   | 60,30  | 2,38   | 60,50  |             |               |       |                     | 59.0 - 61.5   | 76,5                   | 42,7   | 80              | 44     | 12     | 8          | 6      |        |
| 747-81-0063-CC-D | 50      |            |         |        | 2,48   |        |             |               |       | 63,00               | 62.0 - 64.0   | 79,0                   | 42,7   | 80              | 44     | 12     | 8          | 6      |        |
| 747-81-0066-CC-D | 65      |            |         |        | 2,63   |        |             | 66,75         |       |                     | 65.4 - 68.3   | 82,7                   | 37,3   | 80              | 44     | 12     | 8          | 6      |        |
| 747-81-0069-CC-D | 65      |            |         |        | 2,72   |        |             |               | 69,00 |                     | 68.5 - 71.0   | 85,0                   | 37,3   | 80              | 44     | 12     | 8          | 6      |        |
| 747-81-0073-CC-D | 65      |            |         | 73,00  | 2,88   |        |             |               |       |                     | 72.5 - 75.5   | 89,0                   | 37,3   | 80              | 44     | 12     | 8          | 6      |        |
| 747-81-0076-CC-D | 65      | 2 1/2      | 76,10   |        | 3,00   | 76,30  | 76,10       |               | 76,10 | 75,00               | 75.0 - 78.0   | 92,3                   | 37,3   | 80              | 44     | 12     | 8          | 6      |        |
| 747-81-0079-CC-D | 80      |            |         |        | 3,15   |        |             | 79,85         |       |                     | 78.8 - 82.0   | 99,9                   | 37,3   | 110             | 59     | 30     | 12         | 10     |        |
| 747-81-0084-CC-D | 80      |            |         |        | 3,31   |        |             |               | 84,00 |                     | 82.5 - 85.5   | 104,0                  | 37,3   | 110             | 59     | 30     | 12         | 10     |        |
| 747-81-0089-CC-D | 80      | 3          | 88,90   | 88,90  | 3,50   | 89,10  | 88,90       |               | 88,90 | 90,00               | 88.0 - 91.0   | 109,1                  | 37,3   | 110             | 59     | 30     | 12         | 10     |        |
| 747-81-0101-CC-D | 90      |            | 101,60  | 101,60 | 4,00   | 101,60 |             |               |       |                     | 100.0 - 103.0 | 121,6                  | 37,3   | 110             | 59     | 30     | 12         | 10     |        |
| 747-81-0104-CC-D | 100     |            |         |        | 4,094  |        |             |               |       |                     | 102.0 - 105.0 | 124,0                  | 37,3   | 110             | 59     | 40     | 12         | 10     |        |
| 747-81-0106-CC-D | 100     |            |         |        | 4,185  |        |             | 106,3         |       |                     | 105.0 - 107.5 | 126,3                  | 37,3   | 110             | 59     | 40     | 12         | 10     |        |
| 747-81-0108-CC-D | 100     |            |         |        | 4,252  |        | 108,0       |               |       |                     | 106.0 - 109.0 | 128,0                  | 37,3   | 110             | 59     | 40     | 12         | 10     |        |
| 747-81-0114-CC-D | 100     | 4          | 114,3   | 114,3  | 4,500  | 114,3  |             |               | 114,3 |                     | 113.0 - 116.0 | 134,3                  | 37,3   | 110             | 59     | 40     | 12         | 10     |        |
| 747-81-0127-CC-D | 125     |            |         |        | 5,000  |        |             |               |       |                     | 125.0 - 129.0 | 148,5                  | 37,3   | 111             | 59     | 40     | 12         | 10     |        |
| 747-81-0129-CC-D | 125     |            |         |        | 5,079  |        |             |               |       |                     | 127.5 - 130.0 | 150,5                  | 37,3   | 111             | 59     | 40     | 12         | 10     |        |
| 747-81-0133-CC-D | 125     |            |         |        | 5,236  |        | 133,0       | 131,7         |       |                     | 131.0 - 135.0 | 154,5                  | 37,3   | 111             | 59     | 40     | 12         | 10     |        |
| 747-81-0139-CC-D | 125     | 5          | 139,7   |        | 5,504  | 139,8  |             |               | 139,7 |                     | 138.0 - 142.0 | 161,3                  | 37,3   | 111             | 59     | 40     | 12         | 10     |        |
| 747-81-0141-CC-D | 125     |            |         | 141,3  | 5,630  |        |             |               |       | 140,0               | 139.5 - 143.5 | 162,8                  | 37,3   | 111             | 59     | 40     | 12         | 10     |        |
| 747-81-0154-CC-D | 150     |            |         |        | 6,063  |        |             |               |       |                     | 151.5 - 155.5 | 175,5                  | 32,0   | 111             | 59     | 40     | 12         | 10     |        |
| 747-81-0159-CC-D | 150     |            |         |        | 6,260  |        | 159,0       | 157,7         |       | 160,0               | 156.0 - 160.0 | 180,5                  | 32,0   | 111             | 59     | 40     | 12         | 10     |        |
| 747-81-0165-CC-D | 150     | 6          |         |        | 6,504  | 165,2  |             |               |       |                     | 164.0 - 167.0 | 186,7                  | 32,0   | 111             | 59     | 40     | 12         | 10     |        |
| 747-81-0168-CC-D | 150     |            | 168,3   | 168,3  | 6,625  |        |             |               | 168,3 |                     | 166.0 - 170.0 | 189,8                  | 32,0   | 111             | 59     | 40     | 12         | 10     |        |
| 747-81-0180-CC-D | 175     |            |         |        | 7,087  |        |             |               |       | 180,0               | 178.0 - 182.0 | 201,5                  | 26,7   | 111             | 59     | 45     | 12         | 10     |        |
| 747-81-0200-CC-D | 200     |            |         |        | 7,874  |        |             |               |       | 200,0               | 198.0 - 203.0 | 225,5                  | 21,3   | 150             | 89     | 60     | 14         | 12     |        |
| 747-81-0204-CC-D | 200     |            |         |        | 8,031  |        |             |               |       |                     | 202.0 - 206.0 | 229,5                  | 21,3   | 150             | 89     | 60     | 14         | 12     |        |
| 747-81-0216-CC-D | 200     | 8          |         |        | 8,516  | 216,3  |             |               |       |                     | 214.0 - 218.5 | 241,8                  | 21,3   | 150             | 89     | 60     | 14         | 12     |        |
| 747-81-0219-CC-D | 200     |            | 219,1   | 219,1  | 8,625  |        | 219,0       |               | 219,0 |                     | 216.5 - 221.5 | 244,6                  | 21,3   | 150             | 89     | 60     | 14         | 12     |        |
| 747-81-0254-CC-D | 250     |            |         |        | 10,000 |        |             |               |       |                     | 251.0 - 257.0 | 279,5                  | 21,3   | 150             | 89     | 60     | 14         | 12     |        |
| 747-81-0267-CC-D | 250     | 10         |         |        | 10,528 | 267,4  | 267,0       |               |       |                     | 262.0 - 269.0 | 292,9                  | 21,3   | 150             | 89     | 60     | 14         | 12     |        |
| 747-81-0273-CC-D | 250     |            | 273,0   | 273,1  | 10,750 |        |             |               | 273,0 |                     | 270.0 - 276.0 | 298,6                  | 21,3   | 150             | 89     | 60     | 14         | 12     |        |
| 747-81-0304-CC-D | 300     |            |         |        | 11,969 |        |             |               |       |                     | 301.5 - 308.0 | 329,5                  | 18,7   | 150             | 89     | 60     | 14         | 12     |        |
| 747-81-0318-CC-D | 300     | 12         |         |        | 12,539 | 318,5  |             |               |       |                     | 316.0 - 322.5 | 344,0                  | 18,7   | 150             | 89     | 60     | 14         | 12     |        |
| 747-81-0323-CC-D | 300     |            | 323,9   | 323,9  | 12,750 |        | 323,9       |               | 323,9 |                     | 322.0 - 328.0 | 349,4                  | 18,7   | 150             | 89     | 60     | 14         | 12     |        |
| 747-81-0355-CC-D | 350     | 14         | 355,6   | 355,6  | 14,000 | 355,6  |             |               |       | 355,0               | 352.0 - 360.0 | 381,1                  | 18,7   | 150             | 89     | 75     | 14         | 12     |        |
| 747-81-0406-CC-D | 400     | 16         | 406,4   | 406,4  | 16,000 | 406,4  |             |               |       |                     | 402.0 - 410.0 | 431,9                  | 16,0   | 150             | 89     | 75     | 14         | 12     |        |
| 747-81-0457-CC-D | 450     | 18         | 457,2   | 457,2  | 18,000 | 457,2  | 457,2       | 457,2         |       |                     | 453.0 - 460.0 | 482,7                  | 16,0   | 150             | 89     | 90     | 14         | 12     |        |
| 747-81-0508-CC-D | 500     | 20         | 508,0   | 508,0  | 20,000 | 508,0  | 508,0       | 508,0         |       |                     | 504.0 - 512.0 | 533,5                  | 13,3   | 150             | 89     | 90     | 14         | 12     |        |
| 747-81-0558-CC-D | 550     | 22         | 558,8   | 558,8  | 22,000 |        |             |               |       |                     | 555.0 - 563.0 | 584,3                  | 12,3   | 150             | 89     | 90     | 14         | 12     |        |
| 747-81-0609-CC-D | 600     | 24         | 609,6   | 609,6  | 24,000 |        | 610,0       |               |       |                     | 605.0 - 614.0 | 635,1                  | 11,2   | 150             | 89     | 90     | 14         | 12     |        |

CC = Material D = Rubber More detailed LNS information on page 15

Note: the above tables are guides to the most common sizes. Couplings to suit specific diameters not listed may be manufactured to order. Please contact our sales department for further details. Minimum burst is 1.5 times working pressure. Figures are based on typical values for standard wall carbon steel pipe. For use on thin or soft pipe materials such as thin wall stainless, copper alloy or plastic (by way of example only) please check with us first.

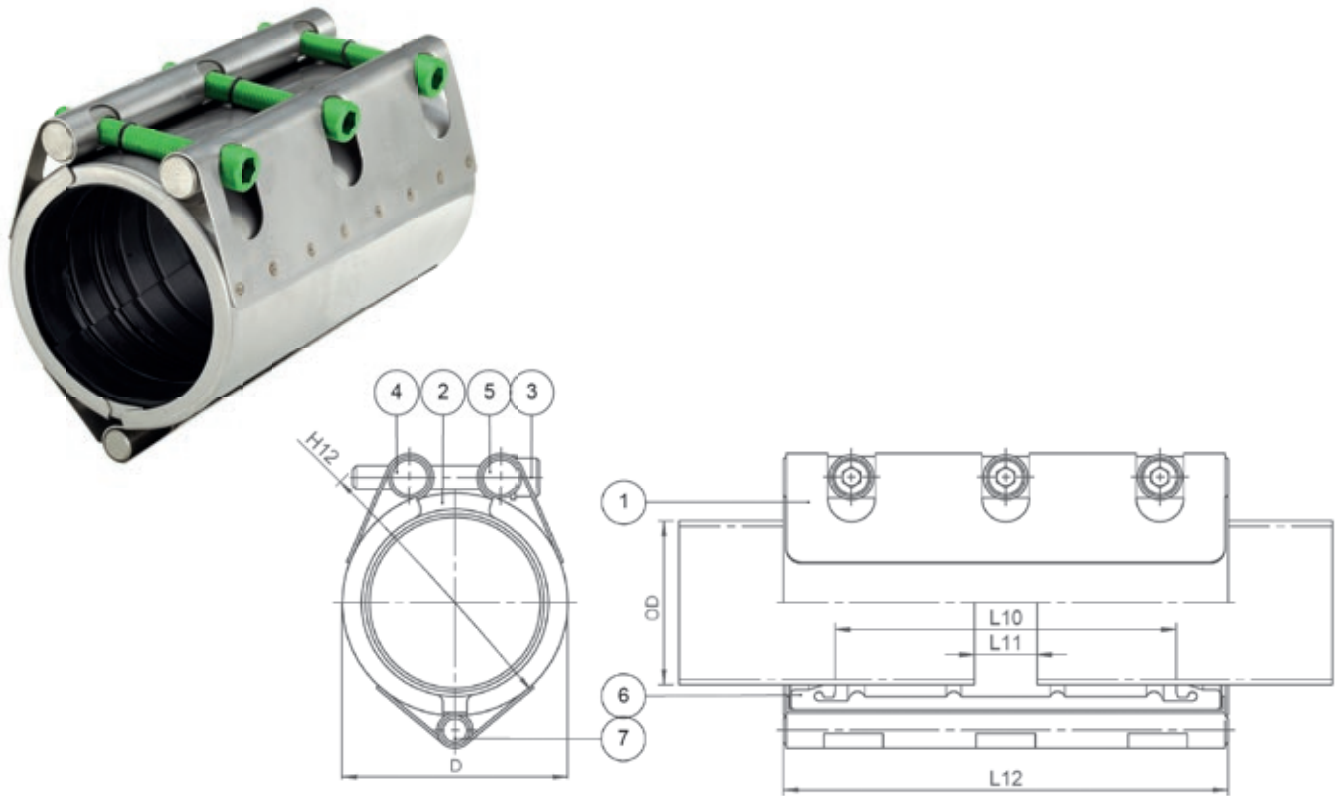


Working pressure for industrial and land-based applications.  
Minimum burst pressure is 1½ times working pressure.

# Repico® REPAIR COUPLINGS

## Repico® RHL – HINGE TYPE REPAIR COUPLING (long version)

The Repico® RHL is the longer version of the RH, it has the same specifications except the lengths are available from 100 to 250 mm (3.9" to 9.8"). Available from DN 25 up to 300 (1" up to 24"). Repico® RHL, DN 25 up to DN 600 (1" up to 24")



|   |             |                                   |
|---|-------------|-----------------------------------|
| 1 | Body        | Stainless steel 316               |
| 2 | Slide plate | Stainless steel 316               |
| 3 | Bolt        | Stainless steel 316 / PTFE coated |
| 4 | Nut         | Stainless steel 316               |
| 5 | Washer      | Stainless steel 316               |
| 6 | Sealing     | EPDM, NBR or Silicone rubber      |
| 7 | Rod         | Stainless steel 316               |

| Article number   | Pipe DN | Pipe OD    |         |        |        |        |             |               |       |       | Coupling range (mm) | D (mm) | Working pressure (bar) | Length          |        | Torque | Thread | Allen head |    |
|------------------|---------|------------|---------|--------|--------|--------|-------------|---------------|-------|-------|---------------------|--------|------------------------|-----------------|--------|--------|--------|------------|----|
|                  |         | Nom. Diam. | DIN/ISO | ASTM   | ASTM   | KS/JIS | CuNi metric | CuNi imperial | Other | PE    |                     |        |                        | Industry SF 1,5 | L12 mm | L10 mm | Nm     | M          | mm |
|                  |         | mm         | mm      | inch   | mm     | mm     | mm          | mm            | mm    | mm    |                     |        |                        |                 |        |        |        |            |    |
| 747-82-0032-CC-D | 25      |            |         |        | 1,75   |        |             |               |       | 32,00 | 31.0 - 33.0         | 45,1   | 42,7                   | 100             | 70     | 7      | 6      | 5          |    |
| 747-82-0034-CC-D | 25      | 1          | 33,70   | 33,40  | 1,32   | 34,00  |             | 34,59         | 33,70 |       | 33.0 - 35.0         | 47,1   | 42,7                   | 100             | 70     | 7      | 6      | 5          |    |
| 747-82-0042-CC-D | 25      | 1 1/4      | 42,40   | 42,40  | 1,66   | 42,70  |             |               |       |       | 42.0 - 44.0         | 55,8   | 42,7                   | 100             | 70     | 7      | 6      | 5          |    |
| 747-82-0048-CC-D | 40      | 1 1/2      | 48,30   | 48,30  | 1,90   | 48,60  |             |               |       |       | 47.5 - 49.5         | 61,7   | 42,7                   | 100             | 70     | 7      | 6      | 5          |    |
| 747-82-0050-CC-D | 40      |            |         |        | 2,63   |        |             |               |       | 50,00 | 49.2 - 51.5         | 63,9   | 42,7                   | 100             | 70     | 7      | 6      | 5          |    |
| 747-82-0060-CC-D | 40      | 2          | 60,30   | 60,30  | 2,38   | 60,50  |             |               |       |       | 59.0 - 61.5         | 76,5   | 42,7                   | 150             | 110    | 12     | 8      | 6          |    |
| 747-82-0063-CC-D | 50      |            |         |        | 3,15   |        |             |               |       | 63,00 | 62.0 - 64.0         | 79,0   | 42,7                   | 150             | 110    | 12     | 8      | 6          |    |
| 747-82-0069-CC-D | 65      |            |         |        | 3,51   |        |             |               | 69,00 |       | 68.5 - 71.0         | 85,0   | 37,3                   | 150             | 110    | 12     | 8      | 6          |    |
| 747-82-0073-CC-D | 65      |            |         | 73,00  | 2,88   |        |             |               |       |       | 72.5 - 75.5         | 89,0   | 37,3                   | 150             | 110    | 12     | 8      | 6          |    |
| 747-82-0076-CC-D | 65      | 2 1/2      | 76,10   |        | 4,09   | 76,30  | 76,10       |               | 76,10 | 75,00 | 75.0 - 78.0         | 92,3   | 37,3                   | 150             | 110    | 12     | 8      | 6          |    |
| 747-82-0079-CC-D | 80      |            |         |        | 4,19   |        |             | 79,85         |       |       | 78.8 - 82.0         | 99,9   | 37,3                   | 200             | 150    | 30     | 12     | 10         |    |
| 747-82-0089-CC-D | 80      | 3          | 88,90   | 88,90  | 3,50   | 89,10  | 88,90       |               | 88,90 | 90,00 | 88.0 - 91.0         | 109,1  | 37,3                   | 200             | 150    | 30     | 12     | 10         |    |
| 747-82-0101-CC-D | 90      |            | 101,60  | 101,60 | 4,00   | 101,60 |             |               |       |       | 100.0 - 103.0       | 121,6  | 37,3                   | 200             | 150    | 30     | 12     | 10         |    |
| 747-82-0104-CC-D | 100     |            |         |        | 4,094  |        |             |               |       |       | 102.0 - 105.0       | 124,0  | 37,3                   | 200             | 150    | 40     | 12     | 10         |    |
| 747-82-0106-CC-D | 100     |            |         |        | 4,185  |        |             | 106,3         |       |       | 105.0 - 107.5       | 126,3  | 37,3                   | 200             | 150    | 40     | 12     | 10         |    |
| 747-82-0108-CC-D | 100     |            |         |        | 4,252  |        | 108,0       |               |       |       | 106.0 - 109.0       | 128,0  | 37,3                   | 200             | 150    | 40     | 12     | 10         |    |
| 747-82-0114-CC-D | 100     | 4          | 114,3   | 114,3  | 4,500  | 114,3  |             |               | 114,3 |       | 113.0 - 116.0       | 134,3  | 37,3                   | 200             | 150    | 40     | 12     | 10         |    |
| 747-82-0139-CC-D | 125     | 5          | 139,7   |        | 5,504  | 139,8  |             |               | 139,7 |       | 138.0 - 142.0       | 161,3  | 37,3                   | 201             | 150    | 40     | 12     | 10         |    |
| 747-82-0141-CC-D | 125     |            |         | 141,3  | 5,630  |        |             |               |       | 140,0 | 139.5 - 143.5       | 162,8  | 37,3                   | 201             | 150    | 40     | 12     | 10         |    |
| 747-82-0159-CC-D | 150     |            |         |        | 6,260  |        | 159,0       | 157,7         |       | 160,0 | 156.0 - 160.0       | 180,5  | 32,0                   | 201             | 150    | 40     | 12     | 10         |    |
| 747-82-0165-CC-D | 150     | 6          |         |        | 6,504  | 165,2  |             |               |       |       | 164.0 - 167.0       | 186,7  | 32,0                   | 201             | 150    | 40     | 12     | 10         |    |
| 747-82-0168-CC-D | 150     |            | 168,3   | 168,3  | 6,625  |        |             |               | 168,3 |       | 166.0 - 170.0       | 189,8  | 32,0                   | 201             | 150    | 40     | 12     | 10         |    |
| 747-82-0216-CC-D | 200     | 8          |         |        | 8,516  | 216,3  |             |               |       |       | 214.0 - 218.5       | 241,8  | 21,3                   | 250             | 185    | 60     | 16     | 12         |    |
| 747-82-0219-CC-D | 200     |            | 219,1   | 219,1  | 8,625  |        | 219,0       |               | 219,0 |       | 216.5 - 221.5       | 244,6  | 21,3                   | 250             | 185    | 60     | 16     | 12         |    |
| 747-82-0267-CC-D | 250     | 10         |         |        | 10,528 | 267,4  | 267,0       |               |       |       | 262.0 - 269.0       | 292,9  | 21,3                   | 250             | 185    | 60     | 16     | 12         |    |
| 747-82-0273-CC-D | 250     |            | 273,0   | 273,1  | 10,750 |        |             |               | 273,0 |       | 270.0 - 276.0       | 298,6  | 21,3                   | 250             | 185    | 60     | 16     | 12         |    |
| 747-82-0318-CC-D | 300     | 12         |         |        | 12,539 | 318,5  |             |               |       |       | 316.0 - 322.5       | 344,0  | 18,7                   | 250             | 185    | 60     | 16     | 12         |    |

CC = Material D = Rubber More detailed LNS information on page 15

Note: the above tables are guides to the most common sizes. Couplings to suit specific diameters not listed may be manufactured to order. Please contact our sales department for further details. Minimum burst is 1.5 times working pressure. Figures are based on typical values for standard wall carbon steel pipe. For use on thin or soft pipe materials such as thin wall stainless, copper alloy or plastic (by way of example only) please check with us first.

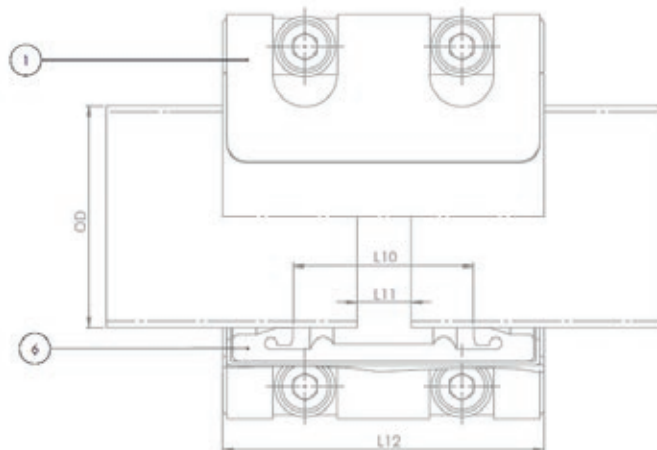
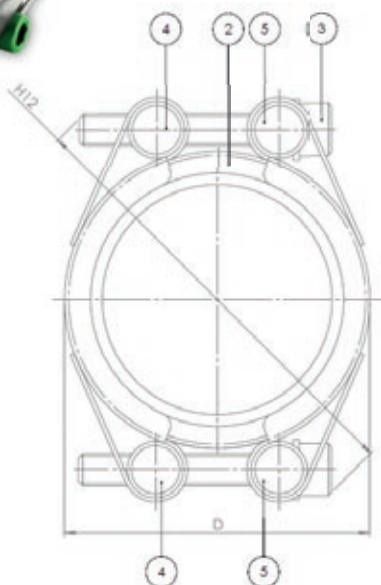


Working pressure for industrial and land-based applications.  
Minimum burst pressure is 1½ times working pressure.

# Repico® REPAIR COUPLINGS

## Repico® RSD – REPAIR COUPLING WITH TWO LOCKS

The Repico® SD offer 2 locks which allowing them to be tightened from 2 sides and better distribution of the force from the bolts. It seals against 42.7 bar (620 psi) maximum up to DN 50 (2") and is available in lengths from 60 to 150 mm (2.4" to 5.9") depending on the diameter. It offers progressive sealing. It is available with EPDM, NBR, Silicone and FKM seals. Main components of stainless steel 316. Repico® RSD, DN 15 up to DN 1000 (1/2" up to 40")



|   |             |                                   |
|---|-------------|-----------------------------------|
| 1 | Body        | Stainless steel 316               |
| 2 | Slide plate | Stainless steel 316               |
| 3 | Bolt        | Stainless steel 316 / PTFE coated |
| 4 | Nut         | Stainless steel 316               |
| 5 | Washer      | Stainless steel 316               |
| 6 | Sealing     | EPDM, NBR, Silicone or FKM rubber |

| Article number   | Pipe DN | Pipe OD    |         |         |       |        |             |               |        |        | Coupling range (mm) | D (mm)  | Working pressure (bar) | Length          |        | Torque Nm | Thread M | Allen head mm |        |
|------------------|---------|------------|---------|---------|-------|--------|-------------|---------------|--------|--------|---------------------|---------|------------------------|-----------------|--------|-----------|----------|---------------|--------|
|                  |         | Nom. Diam. | DIN/ISO | ASTM    | ASTM  | KS/JIS | CuNi metric | CuNi imperial | Other  | PE     |                     |         |                        | Industry SF 1,5 | L12 mm |           |          |               | L10 mm |
|                  |         | mm         | mm      | inch    | mm    | mm     | mm          | mm            | mm     | mm     |                     |         |                        |                 |        |           |          |               |        |
| 747-01-0015-CC-D | 13      |            |         |         |       |        |             |               |        |        | 15.3-17.0           | 28,9    | 42,7                   | 60              | 28     | 7         | 6        | 5             |        |
| 747-01-0020-CC-D | 15      | 1/2        | 21,30   | 21,30   | 0,62  |        |             |               |        | 20,00  | 19.5 - 21.3         | 33,1    | 42,7                   | 60              | 28     | 7         | 6        | 5             |        |
| 747-01-0021-CC-D | 15      | 1/2        | 21,30   | 21,30   | 0,84  | 21,70  |             |               |        |        | 21.0 - 23.0         | 34,8    | 42,7                   | 60              | 28     | 7         | 6        | 5             |        |
| 747-01-0025-CC-D | 20      |            |         |         | 0,85  |        |             |               |        | 25,00  | 24.0 - 26.5         | 38,1    | 42,7                   | 60              | 28     | 7         | 6        | 5             |        |
| 747-01-0027-CC-D | 20      | 3/4        | 26,90   | 26,70   | 1,05  | 26,70  |             |               |        |        | 26.0 - 28.5         | 40,3    | 42,7                   | 60              | 28     | 7         | 6        | 5             |        |
| 747-01-0028-CC-D | 20      |            |         |         | 1,07  |        |             | 28,24         |        |        | 26.4 - 29.5         | 41,3    | 42,7                   | 60              | 28     | 7         | 6        | 5             |        |
| 747-01-0030-CC-D | 25      |            |         |         | 1,11  |        | 30,00       |               |        |        | 29.0 - 31.5         | 43,1    | 42,7                   | 60              | 28     | 7         | 6        | 5             |        |
| 747-01-0032-CC-D | 25      |            |         |         | 1,18  |        |             |               |        | 32,00  | 31.0 - 33.5         | 45,1    | 42,7                   | 60              | 28     | 7         | 6        | 5             |        |
| 747-01-0034-CC-D | 25      | 1          | 33,70   | 33,40   | 1,32  | 34,00  |             | 34,59         | 33,70  |        | 33.0 - 35.5         | 47,1    | 42,7                   | 60              | 28     | 7         | 6        | 5             |        |
| 747-01-0038-CC-D | 32      |            |         |         | 1,34  |        | 38,00       |               | 38,00  |        | 37.0 - 39.5         | 51,1    | 42,7                   | 60              | 28     | 7         | 6        | 5             |        |
| 747-01-0040-CC-D | 32      |            |         |         | 1,50  |        |             |               |        | 40,00  | 39.5 - 41.8         | 53,1    | 42,7                   | 60              | 28     | 7         | 6        | 5             |        |
| 747-01-0042-CC-D | 32      | 1 1/4      | 42,40   | 42,40   | 1,66  | 42,70  |             |               |        |        | 42.0 - 44.5         | 55,8    | 42,7                   | 60              | 28     | 7         | 6        | 5             |        |
| 747-01-0044-CC-D | 32      |            |         |         | 1,68  |        | 44,50       |               | 44,50  |        | 44.0 - 46.5         | 57,6    | 42,7                   | 60              | 28     | 7         | 6        | 5             |        |
| 747-01-0048-CC-D | 40      | 1 1/2      | 48,30   | 48,30   | 1,90  | 48,60  |             |               |        |        | 47.5 - 50.5         | 61,7    | 42,7                   | 60              | 28     | 7         | 6        | 5             |        |
| 747-01-0050-CC-D | 40      |            |         |         | 1,91  |        |             |               |        | 50,00  | 49.2 - 51.5         | 63,9    | 42,7                   | 60              | 28     | 7         | 6        | 5             |        |
| 747-01-0054-CC-D | 50      |            |         |         | 2,00  |        |             | 54,05         | 54,00  |        | 53.0 - 56.0         | 70,0    | 42,7                   | 80              | 44     | 12        | 8        | 6             |        |
| 747-01-0057-CC-D | 50      |            |         |         | 2,13  |        | 57,00       |               | 57,00  |        | 56.0 - 59.0         | 73,0    | 42,7                   | 80              | 44     | 12        | 8        | 6             |        |
| 747-01-0060-CC-D | 50      | 2          | 60,30   | 60,30   | 2,38  | 60,50  |             |               |        |        | 59.0 - 62.0         | 76,5    | 42,7                   | 80              | 44     | 12        | 8        | 6             |        |
| 747-01-0063-CC-D | 50      |            |         |         | 2,38  |        |             |               |        | 63,00  | 62.0 - 65.0         | 79,0    | 42,7                   | 80              | 44     | 12        | 8        | 6             |        |
| 747-01-0066-CC-D | 65      |            |         |         | 2,48  |        |             | 66,75         |        |        | 65.4 - 69.0         | 82,7    | 37,3                   | 80              | 44     | 12        | 8        | 6             |        |
| 747-01-0069-CC-D | 65      |            |         |         | 2,63  |        |             |               | 69,00  |        | 68.5 - 72.0         | 85,0    | 37,3                   | 80              | 44     | 12        | 8        | 6             |        |
| 747-01-0073-CC-D | 65      |            |         | 73,00   | 2,88  |        |             |               |        |        | 72.5 - 76.5         | 89,0    | 37,3                   | 80              | 44     | 12        | 8        | 6             |        |
| 747-01-0076-CC-D | 65      | 2 1/2      | 76,10   |         | 2,87  | 76,30  | 76,10       |               | 76,10  | 75,00  | 75.0 - 79.0         | 92,3    | 37,3                   | 80              | 44     | 12        | 8        | 6             |        |
| 747-01-0079-CC-D | 80      |            |         |         | 3,00  |        |             | 79,85         |        |        | 78.8 - 83.0         | 99,9    | 37,3                   | 110             | 59     | 15        | 8        | 6             |        |
| 747-01-0084-CC-D | 80      |            |         |         | 3,15  |        |             |               | 84,00  |        | 82.5 - 86.0         | 104,0   | 37,3                   | 110             | 59     | 15        | 8        | 6             |        |
| 747-01-0089-CC-D | 80      | 3          | 88,90   | 88,90   | 3,50  | 89,10  | 88,90       |               | 88,90  | 90,00  | 88.0 - 92.0         | 109,1   | 37,3                   | 110             | 59     | 15        | 12       | 10            |        |
| 747-01-0101-CC-D | 90      |            | 101,60  | 101,60  | 4,00  | 101,60 |             |               |        |        | 100.0 - 104.0       | 121,6   | 37,3                   | 110             | 59     | 15        | 12       | 10            |        |
| 747-01-0104-CC-D | 100     |            |         |         | 4,09  |        |             |               |        |        | 102.0 - 106.0       | 124,0   | 37,3                   | 110             | 59     | 15        | 12       | 10            |        |
| 747-01-0106-CC-D | 100     |            |         |         | 4,19  |        |             | 106,27        |        |        | 105.0 - 108.5       | 126,3   | 37,3                   | 110             | 59     | 15        | 12       | 10            |        |
| 747-01-0108-CC-D | 100     |            |         |         | 4,25  |        | 108,00      |               |        |        | 106.0 - 110.0       | 128,0   | 37,3                   | 110             | 59     | 15        | 12       | 10            |        |
| 747-01-0114-CC-D | 100     | 4          | 114,30  | 114,30  | 4,50  | 114,30 |             |               | 114,30 |        | 113.0 - 118.0       | 134,3   | 37,3                   | 110             | 59     | 15        | 12       | 10            |        |
| 747-01-0127-CC-D | 125     |            |         |         | 5,00  |        |             |               |        |        | 125.0 - 129.5       | 148,5   | 37,3                   | 111             | 59     | 25        | 12       | 10            |        |
| 747-01-0129-CC-D | 125     |            |         |         | 5,08  |        |             |               |        |        | 127.5 - 131.0       | 150,5   | 37,3                   | 111             | 59     | 25        | 12       | 10            |        |
| 747-01-0133-CC-D | 125     |            |         |         | 5,24  |        | 133,00      | 131,67        |        |        | 131.0 - 135.5       | 154,5   | 37,3                   | 111             | 59     | 25        | 12       | 10            |        |
| 747-01-0139-CC-D | 125     | 5          | 139,70  |         | 5,50  | 139,80 |             |               | 139,70 |        | 138.0 - 142.5       | 161,3   | 37,3                   | 111             | 59     | 25        | 12       | 10            |        |
| 747-01-0141-CC-D | 125     |            |         | 141,30  | 5,63  |        |             |               |        | 140,00 | 139.5 - 144.0       | 162,8   | 37,3                   | 111             | 59     | 25        | 12       | 10            |        |
| 747-01-0154-CC-D | 150     |            |         |         | 6,06  |        |             |               |        |        | 151.5 - 156.0       | 175,5   | 32,0                   | 111             | 59     | 25        | 12       | 10            |        |
| 747-01-0159-CC-D | 150     |            |         |         | 6,26  |        | 159,00      | 157,68        |        | 160,00 | 156.0 - 161.0       | 180,5   | 32,0                   | 111             | 59     | 25        | 12       | 10            |        |
| 747-01-0165-CC-D | 150     | 6          |         |         | 6,50  | 165,20 |             |               |        |        | 164.0 - 168.5       | 186,7   | 32,0                   | 111             | 59     | 25        | 12       | 10            |        |
| 747-01-0168-CC-D | 150     |            | 168,30  | 168,30  | 6,63  |        |             |               | 168,30 |        | 166.0 - 170.5       | 189,8   | 32,0                   | 111             | 59     | 25        | 12       | 10            |        |
| 747-01-0180-CC-D | 175     |            |         |         | 7,09  |        |             |               |        | 180,00 | 178.0 - 183.0       | 201,5   | 26,7                   | 111             | 59     | 30        | 12       | 10            |        |
| 747-01-0200-CC-D | 200     |            |         |         | 7,87  |        |             |               |        | 200,00 | 198.0 - 203.5       | 225,5   | 21,3                   | 150             | 89     | 45        | 14       | 12            |        |
| 747-01-0204-CC-D | 200     |            |         |         | 8,03  |        |             |               |        |        | 202.0 - 206.5       | 229,5   | 21,3                   | 150             | 89     | 45        | 14       | 12            |        |
| 747-01-0216-CC-D | 200     | 8          |         |         | 8,52  | 216,30 |             |               |        |        | 214.0 - 219.0       | 241,8   | 21,3                   | 150             | 89     | 45        | 14       | 12            |        |
| 747-01-0219-CC-D | 200     |            | 219,10  | 219,10  | 8,63  |        | 219,00      |               | 219,00 |        | 216.5 - 222.0       | 244,6   | 21,3                   | 150             | 89     | 45        | 14       | 12            |        |
| 747-01-0254-CC-D | 250     |            |         |         | 10,00 |        |             |               |        |        | 251.0 - 257.0       | 279,5   | 21,3                   | 150             | 89     | 45        | 14       | 12            |        |
| 747-01-0267-CC-D | 250     | 10         |         |         | 10,53 | 267,40 | 267,00      |               |        |        | 262.0 - 270.0       | 292,9   | 21,3                   | 150             | 89     | 45        | 14       | 12            |        |
| 747-01-0273-CC-D | 250     |            | 273,00  | 273,10  | 10,75 |        |             |               | 273,00 |        | 270.0 - 277.0       | 298,6   | 21,3                   | 150             | 89     | 45        | 14       | 12            |        |
| 747-01-0304-CC-D | 300     |            |         |         | 11,97 |        |             |               |        |        | 301.5 - 309.0       | 329,5   | 18,7                   | 150             | 89     | 75        | 14       | 12            |        |
| 747-01-0318-CC-D | 300     | 12         |         |         | 12,54 | 318,50 |             |               |        |        | 316.0 - 323.0       | 344,0   | 18,7                   | 150             | 89     | 75        | 14       | 12            |        |
| 747-01-0323-CC-D | 300     |            | 323,90  | 323,90  | 12,75 |        | 323,90      |               | 323,90 |        | 322.0 - 329.0       | 349,4   | 18,7                   | 150             | 89     | 75        | 14       | 12            |        |
| 747-01-0355-CC-D | 350     | 14         | 355,60  | 355,60  | 14,00 | 355,60 |             |               |        | 355,00 | 352.0 - 361.0       | 381,1   | 18,7                   | 150             | 89     | 75        | 14       | 12            |        |
| 747-01-0406-CC-D | 400     | 16         | 406,40  | 406,40  | 16,00 | 406,40 |             |               |        |        | 402.0 - 411.0       | 431,9   | 16,0                   | 150             | 89     | 75        | 14       | 12            |        |
| 747-01-0457-CC-D | 450     | 18         | 457,20  | 457,20  | 18,00 | 457,20 | 457,20      |               |        |        | 453.0 - 462.0       | 482,7   | 16,0                   | 150             | 89     | 90        | 14       | 12            |        |
| 747-01-0508-CC-D | 500     | 20         | 508,00  | 508,00  | 20,00 | 508,00 | 508,00      |               |        |        | 504.0 - 513.0       | 533,5   | 13,3                   | 150             | 89     | 90        | 14       | 12            |        |
| 747-01-0558-CC-D | 550     | 22         | 558,80  | 558,80  | 22,00 |        |             |               |        |        | 554.0 - 564.0       | 584,3   | 12,3                   | 150             | 89     | 90        | 14       | 12            |        |
| 747-01-0609-CC-D | 600     | 24         | 609,60  | 609,60  | 24,00 |        | 610,00      |               |        |        | 605.0 - 615.0       | 635,1   | 11,2                   | 150             | 89     | 90        | 14       | 12            |        |
| 747-01-0660-CC-D | 650     | 26         |         | 660,40  | 26,00 |        |             |               |        |        | 654.0 - 666.0       | 685,9   | 10,7                   | 150             | 89     | 90        | 14       | 12            |        |
| 747-01-0711-CC-D | 700     | 28         | 711,20  | 711,20  | 28,00 |        | 711,20      |               |        |        | 705.0 - 717.0       | 736,7   | 9,9                    | 150             | 89     | 90        | 14       | 12            |        |
| 747-01-0762-CC-D | 750     | 30         |         | 762,00  | 30,00 |        |             |               |        |        | 756.0 - 768.0       | 787,5   | 9,6                    | 150             | 89     | 90        | 14       | 12            |        |
| 747-01-0812-CC-D | 800     | 32         | 812,80  | 812,80  | 32,00 |        | 812,80      |               |        |        | 806.0 - 818.0       | 838,3   | 9,1                    | 150             | 89     | 90        | 14       | 12            |        |
| 747-01-0863-CC-D | 850     | 34         |         | 863,60  | 34,00 |        |             |               |        |        | 857.0 - 869.0       | 889,1   | 8,5                    | 150             | 89     | 90        | 14       | 12            |        |
| 747-01-0914-CC-D | 900     | 36         | 914,40  | 914,40  | 36,00 |        | 914,40      |               |        |        | 908.0 - 920.0       | 939,9   | 8,0                    | 150             | 89     | 90        | 14       | 12            |        |
| 747-01-1016-CC-D | 1000    | 40         | 1016,00 | 1016,00 | 40,00 |        |             |               |        |        | 1010.0 - 1022.0     | 1.041,5 | 7,2                    | 150             | 89     | 90        | 14       | 12            |        |

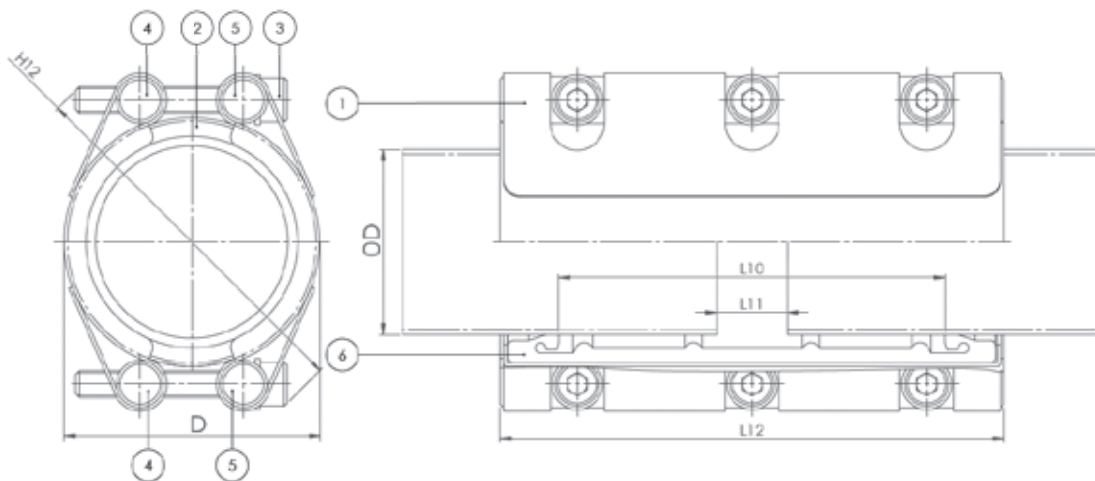
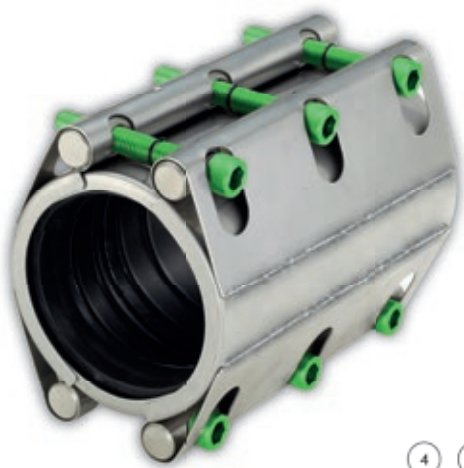
CC = Material D = Rubber More detailed LNS information on page 15

# Repico® REPAIR COUPLINGS

## Repico® RSDL – REPAIR COUPLING WITH TWO LOCKS (long version)

The Repico® RSDL is the longer version of the RSD, it has the same specifications except lengths are available from 100 to 250 mm (3.9" to 9.8"). From DN 200 also available in length 300 or 400 mm (11.7" or 15.6").

Repico® RSDL, DN 15 up to DN 1000 (1/2" up to 40")



|   |             |                                   |
|---|-------------|-----------------------------------|
| 1 | Body        | Stainless steel 316               |
| 2 | Slide plate | Stainless steel 316               |
| 3 | Bolt        | Stainless steel 316 / PTFE coated |
| 4 | Nut         | Stainless steel 316               |
| 5 | Washer      | Stainless steel 316               |
| 6 | Sealing     | EPDM, NBR or Silicone rubber      |



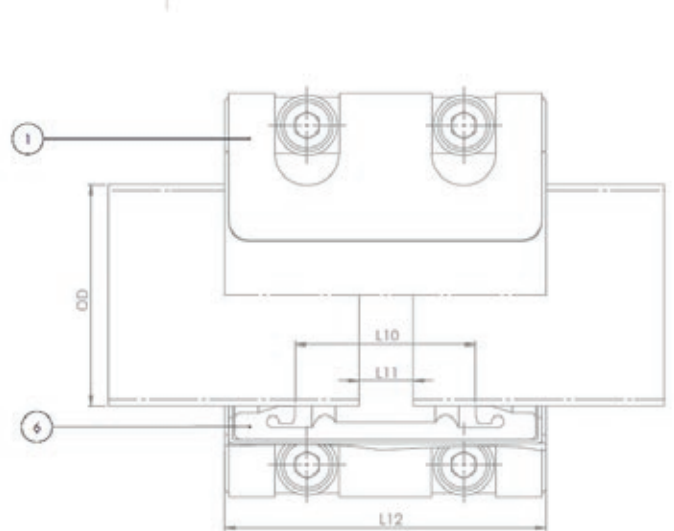
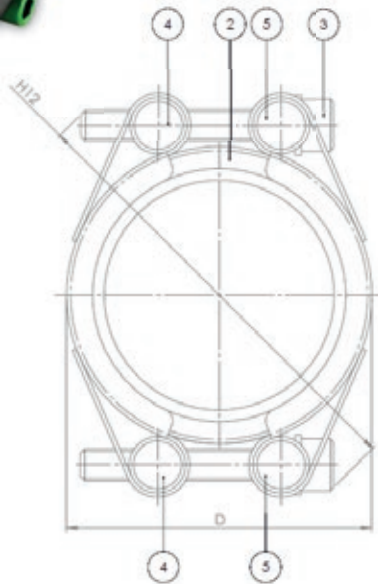
| Article number   | Pipe DN | Pipe OD    |         |         |        |        |             |               |       |       | Coupling range (mm) | D (mm)  | Working pressure (bar) | Length          |        | Torque | Thread | Allen head |    |
|------------------|---------|------------|---------|---------|--------|--------|-------------|---------------|-------|-------|---------------------|---------|------------------------|-----------------|--------|--------|--------|------------|----|
|                  |         | Nom. Diam. | DIN/ISO | ASTM    | ASTM   | KS/JIS | CuNi metric | CuNi imperial | Other | PE    |                     |         |                        | Industry SF 1,5 | L12 mm | L10 mm | Nm     | M          | mm |
|                  |         | mm         | mm      | inch    | mm     | mm     | mm          | mm            | mm    | mm    |                     |         |                        |                 |        |        |        |            |    |
| 747-02-0020-CC-D | 15      |            | 21,3    | 21,3    | 0,787  |        |             |               |       | 20    | 19.5 - 21.3         | 33,1    | 42,7                   | 100             | 70     | 7      | 6      | 5          |    |
| 747-02-0021-CC-D | 15      | 1/2        | 21,3    | 21,3    | 0,840  | 21,7   |             |               |       |       | 21.0 - 23.0         | 34,8    | 42,7                   | 100             | 70     | 7      | 6      | 5          |    |
| 747-02-0025-CC-D | 20      |            |         |         | 0,984  |        |             |               |       | 25    | 24.0 - 26.5         | 38,1    | 42,7                   | 100             | 70     | 7      | 6      | 5          |    |
| 747-02-0027-CC-D | 20      | 3/4        | 26,9    | 26,7    | 1,050  | 26,7   |             |               |       |       | 26.0 - 28.5         | 40,3    | 42,7                   | 100             | 70     | 7      | 6      | 5          |    |
| 747-02-0028-CC-D | 20      |            |         |         | 1,110  |        |             | 28,24         |       |       | 26.4 - 29.5         | 41,3    | 42,7                   | -               | -      | -      | -      | 5          |    |
| 747-02-0030-CC-D | 25      |            |         |         | 1,181  |        | 30          |               |       |       | 29.0 - 31.5         | 43,1    | 42,7                   | -               | -      | -      | -      | 5          |    |
| 747-02-0032-CC-D | 25      |            |         |         | 1,260  |        |             |               |       | 32    | 31.0 - 33.5         | 45,1    | 42,7                   | 100             | 70     | 7      | 6      | 5          |    |
| 747-02-0034-CC-D | 25      | 1          | 33,7    | 33,4    | 1,315  | 34,0   |             | 34,59         | 33,7  |       | 33.0 - 35.5         | 47,1    | 42,7                   | 100             | 70     | 7      | 6      | 5          |    |
| 747-02-0038-CC-D | 32      |            |         |         | 1,496  |        | 38,0        |               | 38,0  |       | 37.0 - 39.5         | 51,1    | 42,7                   | -               | -      | -      | -      | 6          |    |
| 747-02-0040-CC-D | 32      |            |         |         | 1,575  |        |             | 40,94         |       | 40    | 39.5 - 41.8         | 53,1    | 42,7                   | 100             | 70     | 7      | 6      | 6          |    |
| 747-02-0042-CC-D | 32      | 1 1/4      | 42,4    | 42,4    | 1,660  | 42,7   |             |               |       |       | 42.0 - 44.5         | 55,8    | 42,7                   | 100             | 70     | 7      | 6      | 6          |    |
| 747-02-0044-CC-D | 32      |            |         |         | 1,752  |        | 44,5        |               | 44,5  |       | 44.0 - 46.5         | 57,6    | 42,7                   | -               | -      | -      | -      | 6          |    |
| 747-02-0048-CC-D | 40      | 1 1/2      | 48,3    | 48,3    | 1,900  | 48,6   |             |               |       |       | 47.5 - 50.5         | 61,7    | 42,7                   | 100             | 70     | 7      | 6      | 6          |    |
| 747-02-0050-CC-D | 40      |            |         |         | 2,000  |        |             |               |       | 50    | 49.2 - 51.5         | 63,9    | 42,7                   | 100             | 70     | 7      | 6      | 6          |    |
| 747-02-0054-CC-D | 50      |            |         |         | 2,126  |        |             | 54,05         | 54,0  |       | 53.0 - 56.0         | 70,0    | 42,7                   | -               | -      | -      | -      | 6          |    |
| 747-02-0057-CC-D | 50      |            |         |         | 2,244  |        | 57,0        |               | 57,0  |       | 56.0 - 59.0         | 73,0    | 42,7                   | -               | -      | -      | -      | 6          |    |
| 747-02-0060-CC-D | 50      | 2          | 60,3    | 60,3    | 2,375  | 60,5   |             |               |       |       | 59.0 - 62.0         | 76,5    | 42,7                   | 150             | 110    | 18     | 8      | 6          |    |
| 747-02-0063-CC-D | 50      |            |         |         | 2,480  |        |             |               |       | 63    | 62.0 - 65.0         | 79,0    | 42,7                   | 150             | 110    | 18     | 8      | 6          |    |
| 747-02-0066-CC-D | 65      |            |         |         | 2,626  |        |             | 66,75         |       |       | 65.4 - 69.0         | 82,7    | 37,3                   | -               | -      | -      | -      | 6          |    |
| 747-02-0069-CC-D | 65      |            |         |         | 2,717  |        |             |               | 69,0  |       | 68.5 - 72.0         | 85,0    | 37,3                   | 150             | 110    | 12     | 8      | 6          |    |
| 747-02-0073-CC-D | 65      |            |         | 73,0    | 2,875  |        |             |               |       |       | 72.5 - 76.5         | 89,0    | 37,3                   | 150             | 110    | 12     | 8      | 6          |    |
| 747-02-0076-CC-D | 65      | 2 1/2      | 76,1    |         | 3,004  | 76,3   | 76,1        |               | 76,1  | 75    | 75.0 - 79.0         | 92,3    | 37,3                   | 150             | 110    | 12     | 8      | 6          |    |
| 747-02-0079-CC-D | 80      |            |         |         | 3,146  |        |             | 79,85         |       |       | 78.8 - 83.0         | 99,9    | 37,3                   | -               | -      | -      | -      | 10         |    |
| 747-02-0084-CC-D | 80      |            |         |         | 3,307  |        |             |               | 84,0  |       | 82.5 - 86.0         | 104,0   | 37,3                   | -               | -      | -      | -      | 10         |    |
| 747-02-0089-CC-D | 80      | 3          | 88,9    | 88,9    | 3,500  | 89,1   | 88,9        |               | 88,9  | 90    | 88.0 - 92.0         | 109,1   | 37,3                   | 200             | 150    | 15     | 12     | 10         |    |
| 747-02-0102-CC-D | 90      |            | 101,6   | 101,6   | 4,000  | 101,6  |             |               |       |       | 100.0 - 104.0       | 121,6   | 37,3                   | 200             | 150    | 15     | 12     | 10         |    |
| 747-02-0104-CC-D | 100     |            |         |         | 4,094  |        |             |               |       |       | 102.0 - 106.0       | 124,0   | 37,3                   | 200             | 150    | 15     | 12     | 10         |    |
| 747-02-0106-CC-D | 100     |            |         |         | 4,185  |        |             | 106,3         |       |       | 105.0 - 108.5       | 126,3   | 37,3                   | 200             | 150    | 15     | 12     | 10         |    |
| 747-02-0108-CC-D | 100     |            |         |         | 4,252  |        | 108,0       |               |       |       | 106.0 - 110.0       | 128,0   | 37,3                   | 200             | 150    | 15     | 12     | 10         |    |
| 747-02-0114-CC-D | 100     | 4          | 114,3   | 114,3   | 4,500  | 114,3  |             |               | 114,3 |       | 113.0 - 118.0       | 134,3   | 37,3                   | 200             | 150    | 15     | 12     | 10         |    |
| 747-02-0127-CC-D | 125     |            |         |         | 5,000  |        |             |               |       |       | 125.0 - 129.5       | 148,5   | 37,3                   | -               | -      | -      | -      | 10         |    |
| 747-02-0129-CC-D | 125     |            |         |         | 5,079  |        |             |               |       |       | 127.5 - 131.0       | 150,5   | 37,3                   | -               | -      | -      | -      | 10         |    |
| 747-02-0133-CC-D | 125     |            |         |         | 5,236  |        | 133,0       | 131,7         |       |       | 131.0 - 135.5       | 154,5   | 37,3                   | -               | -      | -      | -      | 10         |    |
| 747-02-0139-CC-D | 125     | 5          | 139,7   |         | 5,504  | 139,8  |             |               | 139,7 |       | 138.0 - 142.5       | 161,3   | 37,3                   | 200             | 150    | 25     | 12     | 10         |    |
| 747-02-0141-CC-D | 125     |            |         | 141,3   | 5,630  |        |             |               |       | 140,0 | 139.5 - 144.0       | 162,8   | 37,3                   | 200             | 150    | 25     | 12     | 10         |    |
| 747-02-0154-CC-D | 150     |            |         |         | 6,063  |        |             |               |       |       | 151.5 - 156.0       | 175,5   | 32,0                   | -               | -      | -      | -      | 10         |    |
| 747-02-0159-CC-D | 150     |            |         |         | 6,260  |        | 159,0       | 157,7         |       | 160,0 | 156.0 - 161.0       | 180,5   | 32,0                   | 201             | 150    | 25     | 12     | 10         |    |
| 747-02-0165-CC-D | 150     | 6          |         |         | 6,504  | 165,2  |             |               |       |       | 164.0 - 168.5       | 186,7   | 32,0                   | 201             | 150    | 25     | 12     | 10         |    |
| 747-02-0168-CC-D | 150     |            | 168,3   | 168,3   | 6,625  |        |             |               | 168,3 |       | 166.0 - 170.5       | 189,8   | 32,0                   | 201             | 150    | 25     | 12     | 10         |    |
| 747-02-0180-CC-D | 175     |            |         |         | 7,087  |        |             |               |       | 180,0 | 178.0 - 183.0       | 201,5   | 26,7                   | -               | -      | -      | -      | 10         |    |
| 747-02-0200-CC-D | 200     |            |         |         | 7,874  |        |             |               |       | 200,0 | 198.0 - 203.5       | 225,5   | 21,3                   | -               | -      | -      | -      | 12         |    |
| 747-02-0204-CC-D | 200     |            |         |         | 8,031  |        |             |               |       |       | 202.0 - 206.5       | 229,5   | 21,3                   | -               | -      | -      | -      | 12         |    |
| 747-02-0216-CC-D | 200     | 8          |         |         | 8,516  | 216,3  |             |               |       |       | 214.0 - 219.0       | 241,8   | 21,3                   | 250             | 185    | 45     | 16     | 12         |    |
| 747-02-0219-CC-D | 200     |            | 219,1   | 219,1   | 8,625  |        | 219,0       |               | 219,0 |       | 216.5 - 222.0       | 244,6   | 21,3                   | 250             | 185    | 45     | 16     | 12         |    |
| 747-02-0254-CC-D | 250     |            |         |         | 10,000 |        |             |               |       |       | 251.0 - 257.0       | 279,5   | 21,3                   | -               | -      | -      | -      | 12         |    |
| 747-02-0267-CC-D | 250     | 10         |         |         | 10,528 | 267,4  | 267,0       |               |       |       | 262.0 - 270.0       | 292,9   | 21,3                   | 250             | 185    | 45     | 16     | 12         |    |
| 747-02-0273-CC-D | 250     |            | 273,0   | 273,1   | 10,750 |        |             |               | 273,0 |       | 270.0 - 277.0       | 298,6   | 21,3                   | 250             | 185    | 45     | 16     | 12         |    |
| 747-02-0304-CC-D | 300     |            |         |         | 11,969 |        |             |               |       |       | 301.5 - 309.0       | 329,5   | 18,7                   | -               | -      | -      | -      | 12         |    |
| 747-02-0318-CC-D | 300     | 12         |         |         | 12,539 | 318,5  |             |               |       |       | 316.0 - 323.0       | 344,0   | 18,7                   | 250             | 185    | 75     | 16     | 12         |    |
| 747-02-0323-CC-D | 300     |            | 323,9   | 323,9   | 12,750 |        | 323,9       |               | 323,9 |       | 322.0 - 329.0       | 349,4   | 18,7                   | 250             | 185    | 75     | 16     | 12         |    |
| 747-02-0355-CC-D | 350     | 14         | 355,6   | 355,6   | 14,000 | 355,6  |             |               |       | 355,0 | 352.0 - 361.0       | 381,1   | 18,7                   | 250             | 185    | 75     | 16     | 12         |    |
| 747-02-0406-CC-D | 400     | 16         | 406,4   | 406,4   | 16,000 | 406,4  |             |               |       |       | 402.0 - 411.0       | 431,9   | 16,0                   | 250             | 185    | 75     | 16     | 12         |    |
| 747-02-0457-CC-D | 450     | 18         | 457,2   | 457,2   | 18,000 | 457,2  | 457,2       | 457,2         |       |       | 453.0 - 462.0       | 482,7   | 16,0                   | 250             | 185    | 90     | 16     | 12         |    |
| 747-02-0508-CC-D | 500     | 20         | 508,0   | 508,0   | 20,000 | 508,0  | 508,0       | 508,0         |       |       | 504.0 - 513.0       | 533,5   | 13,3                   | 250             | 185    | 90     | 16     | 12         |    |
| 747-02-0558-CC-D | 550     | 22         | 558,8   | 558,8   | 22,000 |        |             |               |       |       | 554.0 - 564.0       | 584,3   | 12,2                   | 250             | 185    | 90     | 16     | 12         |    |
| 747-02-0609-CC-D | 600     | 24         | 609,6   | 609,6   | 24,000 |        | 610,0       |               |       |       | 605.0 - 615.0       | 635,1   | 11,2                   | 250             | 185    | 90     | 16     | 12         |    |
| 747-02-0660-CC-D | 650     | 26         |         | 660,4   | 26,000 |        |             |               |       |       | 654.0 - 666.0       | 685,9   | 10,7                   | 250             | 185    | 90     | 16     | 12         |    |
| 747-02-0711-CC-D | 700     | 28         | 711,2   | 711,2   | 28,000 |        | 711,2       |               |       |       | 705.0 - 717.0       | 736,7   | 9,8                    | 250             | 185    | 90     | 16     | 12         |    |
| 747-02-0762-CC-D | 750     | 30         |         | 762,0   | 30,000 |        |             |               |       |       | 756.0 - 768.0       | 787,5   | 9,6                    | 250             | 185    | 90     | 16     | 12         |    |
| 747-02-0812-CC-D | 800     | 32         | 812,8   | 812,8   | 32,000 |        | 812,8       |               |       |       | 806.0 - 818.0       | 838,3   | 9,1                    | 250             | 185    | 90     | 16     | 12         |    |
| 747-02-0863-CC-D | 850     | 34         |         | 863,6   | 34,000 |        |             |               |       |       | 857.0 - 869.0       | 889,1   | 8,5                    | 250             | 185    | 90     | 16     | 12         |    |
| 747-02-0914-CC-D | 900     | 36         | 914,4   | 914,4   | 36,000 |        | 914,4       |               |       |       | 908.0 - 920.0       | 939,9   | 8,0                    | 250             | 185    | 90     | 16     | 12         |    |
| 747-02-1016-CC-D | 1000    | 40         | 1.016,0 | 1.016,0 | 40,000 |        |             |               |       |       | 1010.0 - 1022.0     | 1.041,5 | 7,2                    | 250             | 185    | 90     | 16     | 12         |    |

CC = Material D = Rubber More detailed LNS information on page 15

# Repico® REPAIR COUPLINGS

## Repico® RSDF – REPAIR COUPLING WITH TWO LOCKS HIGH PRESSURE

The Repico® RSDF is the high pressure version of RSD. It seals against 42.7 bar (620 psi) maximum up until DN150(6") and is available in lengths from 110 to 150 mm (2.4" to 5.9") depending on the diameter. It offers progressive sealing. It is available with EPDM, NBR, Silicone and FKM seals. Main components of stainless steel 316. Repico® RSDF, DN 65 up to DN 1000 (2 1/2" up to 40")



|   |             |                                   |
|---|-------------|-----------------------------------|
| 1 | Body        | Stainless steel 316               |
| 2 | Slide plate | Stainless steel 316               |
| 3 | Bolt        | Stainless steel 316 / PTFE coated |
| 4 | Nut         | Stainless steel 316               |
| 5 | Washer      | Stainless steel 316               |
| 6 | Sealing     | EPDM, NBR, Silicone or FKM rubber |

| Article number   | Pipe DN | Nom. Diam. | Pipe OD | Pipe OD |         |        |        |             |               |       | Coupling range (mm) | D (mm)          | Working pressure (bar) | Length |        | Torque | Thread | Allen head |        |
|------------------|---------|------------|---------|---------|---------|--------|--------|-------------|---------------|-------|---------------------|-----------------|------------------------|--------|--------|--------|--------|------------|--------|
|                  |         |            |         | DIN/ISO | ASTM    | ASTM   | KS/JIS | CuNi metric | CuNi imperial | Other |                     |                 |                        | PE     | L12 mm |        |        |            | L10 mm |
|                  |         |            |         | mm      | mm      | inch   | mm     | mm          | mm            | mm    |                     |                 |                        | mm     | mm     |        |        |            | mm     |
| 747-11-0076-CC-D | 65      | 2 1/2      | 76,3    | 76,1    |         | 4,000  | 76,3   | 76,1        |               | 76,1  | 75                  | 75.0 - 79.0     | 92,3                   | 42,7   | 111    | 59     | 30     | 12         | 10     |
| 747-11-0079-CC-D | 80      |            | 79,9    |         |         | 4,094  |        |             |               | 79,85 |                     | 78.8 - 83.0     | 99,9                   | 42,7   | 111    | 59     | 30     | 12         | 10     |
| 747-11-0084-CC-D | 80      |            | 84,0    |         |         | 4,185  |        |             |               |       | 84,0                | 82.5 - 86.0     | 104,0                  | 42,7   | 111    | 59     | 30     | 12         | 10     |
| 747-11-0089-CC-D | 80      | 3          | 89,1    | 88,9    | 88,9    | 3,500  | 89,1   | 88,9        |               |       | 88,9                | 88.0 - 92.0     | 109,1                  | 42,7   | 111    | 59     | 30     | 12         | 10     |
| 747-11-0101-CC-D | 90      |            | 101,6   | 101,6   | 101,6   | 4,000  | 101,6  |             |               |       |                     | 100.0 - 103.5   | 121,6                  | 42,7   | 111    | 59     | 30     | 12         | 10     |
| 747-11-0104-CC-D | 100     |            | 104,0   |         |         | 5,000  |        |             |               |       |                     | 102.0 - 106.0   | 124,0                  | 42,7   | 111    | 59     | 30     | 12         | 10     |
| 747-11-0106-CC-D | 100     |            | 106,3   |         |         | 5,079  |        |             |               | 106,3 |                     | 105.0 - 108.5   | 126,3                  | 42,7   | 111    | 59     | 30     | 12         | 10     |
| 747-11-0108-CC-D | 100     |            | 108,0   |         |         | 5,236  |        | 108,0       |               |       |                     | 106.0 - 110.0   | 128,0                  | 42,7   | 111    | 59     | 30     | 12         | 10     |
| 747-11-0114-CC-D | 100     | 4          | 114,3   | 114,3   | 114,3   | 4,500  | 114,3  |             |               | 114,3 |                     | 113.0 - 118.0   | 134,3                  | 42,7   | 111    | 59     | 30     | 12         | 10     |
| 747-11-0127-CC-D | 125     |            | 127,0   |         |         | 5,563  |        |             |               |       |                     | 125.0 - 129.5   | 148,5                  | 42,7   | 113    | 59     | 40     | 12         | 10     |
| 747-11-0129-CC-D | 125     |            | 129,0   |         |         | 6,063  |        |             |               |       |                     | 127.5 - 131.0   | 150,5                  | 42,7   | 113    | 59     | 40     | 12         | 10     |
| 747-11-0133-CC-D | 125     |            | 133,0   |         |         | 6,260  |        | 133,0       | 131,7         |       |                     | 131.0 - 135.5   | 154,5                  | 42,7   | 113    | 59     | 40     | 12         | 10     |
| 747-11-0139-CC-D | 125     | 5          | 139,8   | 139,7   |         | 6,504  | 139,8  |             |               | 139,7 |                     | 138.0 - 142.5   | 161,3                  | 42,7   | 113    | 59     | 40     | 12         | 10     |
| 747-11-0141-CC-D | 125     |            | 141,3   |         | 141,3   | 5,630  |        |             |               |       | 140,0               | 139.5 - 144.0   | 162,8                  | 42,7   | 113    | 59     | 40     | 12         | 10     |
| 747-11-0154-CC-D | 150     |            | 154,0   |         |         | 7,087  |        |             |               |       |                     | 151.5 - 156.0   | 175,5                  | 42,7   | 113    | 59     | 40     | 12         | 10     |
| 747-11-0159-CC-D | 150     |            | 159,0   |         |         | 7,874  |        | 159,0       | 157,7         |       | 160,0               | 156.0 - 161.0   | 180,5                  | 42,7   | 113    | 59     | 40     | 12         | 10     |
| 747-11-0165-CC-D | 150     | 6          | 165,2   |         |         | 8,031  | 165,2  |             |               |       |                     | 164.0 - 168.5   | 186,7                  | 42,7   | 113    | 59     | 40     | 12         | 10     |
| 747-11-0168-CC-D | 150     |            | 168,3   | 168,3   | 168,3   | 6,625  |        |             |               |       | 168,3               | 166.0 - 170.5   | 189,8                  | 42,7   | 113    | 59     | 40     | 12         | 10     |
| 747-11-0180-CC-D | 175     |            | 180,0   |         |         |        |        |             |               |       |                     | 178.0 - 183.0   | 201,5                  | 37,3   | 113    | 59     | 50     | 12         | 10     |
| 747-11-0200-CC-D | 200     |            | 200,0   |         |         | 8,626  |        |             |               |       | 200,0               | 198.0 - 203.5   | 227,0                  | 32,0   | 152    | 89     | 100    | 14         | 12     |
| 747-11-0204-CC-D | 200     |            | 204,0   |         |         | 10,000 |        |             |               |       |                     | 202.0 - 206.5   | 231,0                  | 32,0   | 152    | 89     | 100    | 14         | 12     |
| 747-11-0216-CC-D | 200     | 8          | 216,3   |         |         | 10,528 | 216,3  |             |               |       |                     | 214.0 - 219.0   | 243,3                  | 32,0   | 152    | 89     | 100    | 14         | 12     |
| 747-11-0219-CC-D | 200     |            | 219,1   | 219,1   | 219,1   | 8,625  |        | 219,0       |               | 219,0 |                     | 216.5 - 222.0   | 246,1                  | 32,0   | 152    | 89     | 100    | 14         | 12     |
| 747-11-0254-CC-D | 250     |            | 254,0   |         |         | 11,969 |        |             |               |       |                     | 251.0 - 257.0   | 281,0                  | 26,7   | 150    | 89     | 120    | 14         | 12     |
| 747-11-0267-CC-D | 250     | 10         | 267,4   |         |         | 12,539 | 267,4  | 267,0       |               |       |                     | 262.0 - 270.0   | 294,4                  | 26,7   | 152    | 89     | 120    | 14         | 12     |
| 747-11-0273-CC-D | 250     |            | 273,1   | 273,0   | 273,1   | 10,750 |        |             |               | 273,0 |                     | 270.0 - 277.0   | 300,1                  | 26,7   | 152    | 89     | 120    | 14         | 12     |
| 747-11-0304-CC-D | 300     |            | 304,0   |         |         | 14,000 |        |             |               |       |                     | 301.5 - 309.0   | 331,0                  | 26,7   | 152    | 89     | 120    | 14         | 12     |
| 747-11-0318-CC-D | 300     | 12         | 318,5   |         |         | 16,000 | 318,5  |             |               |       |                     | 316.0 - 323.0   | 345,5                  | 26,7   | 152    | 89     | 120    | 14         | 12     |
| 747-11-0323-CC-D | 300     |            | 323,9   | 323,9   | 323,9   | 12,750 |        | 323,9       |               | 323,9 |                     | 322.0 - 329.0   | 350,9                  | 26,7   | 152    | 89     | 120    | 14         | 12     |
| 747-11-0355-CC-D | 350     | 14         | 355,6   | 355,6   | 355,6   | 14,000 | 355,6  |             |               |       | 355,0               | 352.0 - 361.0   | 382,6                  | 26,7   | 152    | 89     | 120    | 14         | 12     |
| 747-11-0406-CC-D | 400     | 16         | 406,4   | 406,4   | 406,4   | 16,000 | 406,4  |             |               |       |                     | 402.0 - 411.0   | 433,4                  | 26,7   | 152    | 89     | 120    | 14         | 12     |
| 747-11-0457-CC-D | 450     | 18         | 457,2   | 457,2   | 457,2   | 18,000 | 457,2  | 457,2       |               |       |                     | 453.0 - 462.0   | 484,2                  | 25,3   | 152    | 89     | 120    | 14         | 12     |
| 747-11-0508-CC-D | 500     | 20         | 508,0   | 508,0   | 508,0   | 20,000 | 508,0  | 508,0       | 508,0         |       |                     | 504.0 - 513.0   | 535,0                  | 18,7   | 152    | 89     | 120    | 14         | 12     |
| 747-11-0558-CC-D | 550     | 22         | 558,8   | 558,8   | 558,8   | 22,000 |        |             |               |       |                     | 554.0 - 564.0   | 585,8                  | 18,7   | 152    | 89     | 120    | 14         | 12     |
| 747-11-0609-CC-D | 600     | 24         | 609,6   | 609,6   | 609,6   | 24,000 |        | 610,0       |               |       |                     | 605.0 - 615.0   | 636,6                  | 16,0   | 152    | 89     | 120    | 14         | 12     |
| 747-11-0660-CC-D | 650     | 26         | 660,4   |         | 660,4   | 26,000 |        |             |               |       |                     | 654.0 - 666.0   | 687,4                  | 16,0   | 152    | 89     | 120    | 14         | 12     |
| 747-11-0711-CC-D | 700     | 28         | 711,2   | 711,2   | 711,2   | 28,000 |        | 711,2       |               |       |                     | 705.0 - 717.0   | 738,2                  | 14,7   | 152    | 89     | 120    | 14         | 12     |
| 747-11-0762-CC-D | 750     | 30         | 762,0   |         | 762,0   | 30,000 |        |             |               |       |                     | 756.0 - 768.0   | 789,0                  | 14,0   | 152    | 89     | 120    | 14         | 12     |
| 747-11-0812-CC-D | 800     | 32         | 812,8   | 812,8   | 812,8   | 32,000 |        | 812,8       |               |       |                     | 806.0 - 818.0   | 839,8                  | 13,3   | 152    | 89     | 120    | 14         | 12     |
| 747-11-0863-CC-D | 850     | 34         | 863,6   |         | 863,6   | 34,000 |        |             |               |       |                     | 857.0 - 869.0   | 890,6                  | 12,4   | 152    | 89     | 120    | 14         | 12     |
| 747-11-0914-CC-D | 900     | 36         | 914,4   | 914,4   | 914,4   | 36,000 |        | 914,4       |               |       |                     | 908.0 - 920.0   | 941,4                  | 11,7   | 152    | 89     | 120    | 14         | 12     |
| 747-11-1016-CC-D | 1000    | 40         | 1016,0  | 1.016,0 | 1.016,0 | 40,000 |        |             |               |       |                     | 1010.0 - 1022.0 | 1043,0                 | 10,7   | 152    | 89     | 120    | 14         | 12     |

CC = Material D = Rubber More detailed LNS information on page 15

Note: the above tables are guides to the most common sizes. Couplings to suit specific diameters not listed may be manufactured to order. Please contact our sales department for further details. Minimum burst is 1.5 times working pressure. Figures are based on typical values for standard wall carbon steel pipe. For use on thin or soft pipe materials such as thin wall stainless, copper alloy or plastic (by way of example only) please check with us first.

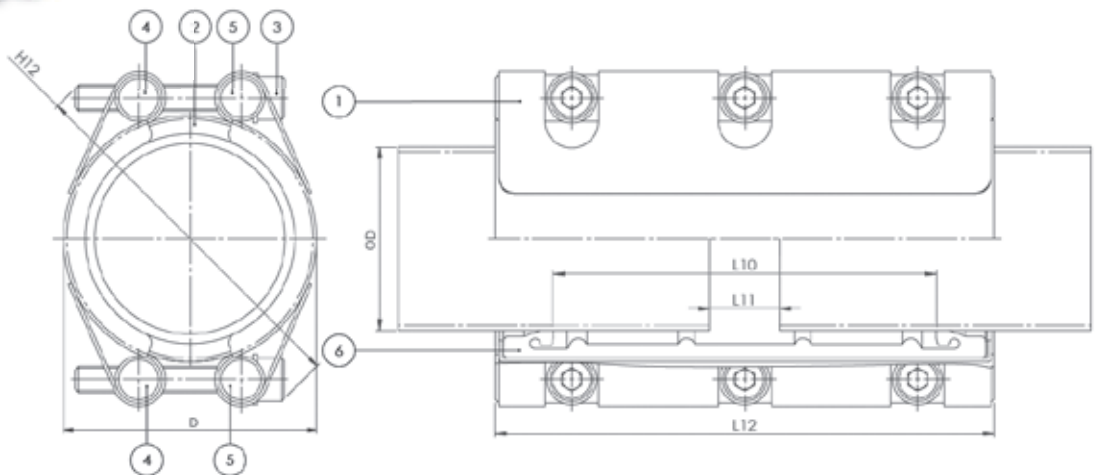
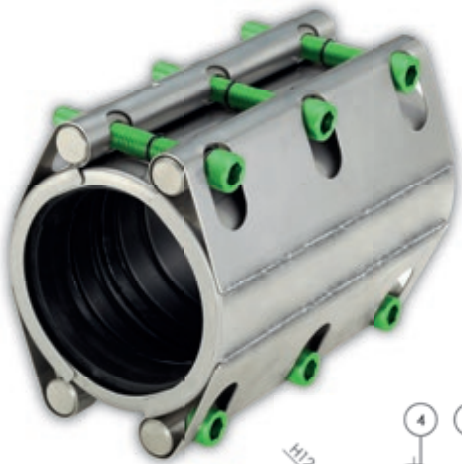


Working pressure for industrial and land-based applications.  
Minimum burst pressure is 1½ times working pressure.

# Repico® REPAIR COUPLINGS

## Repico® RSDFL – REPAIR COUPLING WITH TWO LOCKS HIGH PRESSURE (long version)

The Repico® RSDFL is the longer version of RSDF. It seals against 42.7 bar (620 psi) maximum up until DN150 (6") and is available in lengths from 200 to 250 mm (2.4" to 5.9") depending on the diameter. It offers progressive sealing. It is available with EPDM, NBR or Silicone seals. Completely made out of 316 stainless steel. [Repico® RSDFL, DN 80 up to DN 1000 \(3" up to 40"\)](#)



|   |             |                                   |
|---|-------------|-----------------------------------|
| 1 | Body        | Stainless steel 316               |
| 2 | Slide plate | Stainless steel 316               |
| 3 | Bolt        | Stainless steel 316 / PTFE coated |
| 4 | Nut         | Stainless steel 316               |
| 5 | Washer      | Stainless steel 316               |
| 6 | Sealing     | EPDM, NBR or Silicone rubber      |

| Article number   | Pipe DN | Nom. Diam. | Pipe OD | Pipe OD |         |        |        |             |               |       |       | PE    | Coupling range (mm) | D (mm) | Working pressure (bar) | Length |        | Torque | Thread | Allen head |
|------------------|---------|------------|---------|---------|---------|--------|--------|-------------|---------------|-------|-------|-------|---------------------|--------|------------------------|--------|--------|--------|--------|------------|
|                  |         |            |         | DIN/ISO | ASTM    | ASTM   | KS/JIS | CuNi metric | CuNi imperial | Other | mm    |       |                     |        |                        | L12 mm | L10 mm | Nm     | M      | mm         |
|                  |         |            |         | mm      | mm      | inch   | mm     | mm          | mm            | mm    | mm    |       |                     |        |                        | mm     | mm     | mm     | mm     |            |
| 747-12-0089-CC-D | 80      | 3          | 89,1    | 88,9    | 88,9    | 3,500  | 89,1   | 88,9        |               |       | 88,9  | 90    | 88.0 - 92.0         | 109,1  | 42,7                   | 201    | 150    | 30     | 12     | 10         |
| 747-12-0101-CC-D | 90      |            | 101,6   | 101,6   | 101,6   | 4,000  | 101,6  |             |               |       |       |       | 100.0 - 103.5       | 121,6  | 42,7                   | 201    | 150    | 30     | 12     | 10         |
| 747-12-0104-CC-D | 100     |            | 104,0   |         |         | 5,563  |        |             |               |       |       |       | 102.0 - 106.0       | 124,0  | 42,7                   | 201    | 150    | 30     | 12     | 10         |
| 747-12-0106-CC-D | 100     |            | 106,3   |         |         | 6,063  |        |             |               | 106,3 |       |       | 105.0 - 108.5       | 126,3  | 42,7                   | 201    | 150    | 30     | 12     | 10         |
| 747-12-0108-CC-D | 100     |            | 108,0   |         |         | 6,260  |        |             |               | 108,0 |       |       | 106.0 - 110.0       | 128,0  | 42,7                   | 201    | 150    | 30     | 12     | 10         |
| 747-11-0124-CC-D | 100     | 4          | 114,3   | 114,3   | 114,3   | 4,500  | 114,3  |             |               |       | 114,3 |       | 113.0 - 118.0       | 134,3  | 42,7                   | 201    | 150    | 30     | 12     | 10         |
| 747-12-0139-CC-D | 125     | 5          | 139,8   | 139,7   |         | 8,031  | 139,8  |             |               |       | 139,7 |       | 138.0 - 142.5       | 161,3  | 42,7                   | 203    | 150    | 40     | 12     | 10         |
| 747-12-0141-CC-D | 125     |            | 141,3   |         | 141,3   | 5,630  |        |             |               |       |       | 140,0 | 139.5 - 144.0       | 162,8  | 42,7                   | 203    | 150    | 40     | 12     | 10         |
| 747-12-0159-CC-D | 150     |            | 159,0   |         |         | 10,000 |        |             |               | 159,0 | 157,7 |       | 156.0 - 161.0       | 180,5  | 42,7                   | 203    | 150    | 40     | 12     | 10         |
| 747-12-0165-CC-D | 150     | 6          | 165,2   |         |         | 10,528 | 165,2  |             |               |       |       |       | 164.0 - 168.5       | 186,7  | 42,7                   | 203    | 150    | 40     | 12     | 10         |
| 747-12-0168-CC-D | 150     |            | 168,3   | 168,3   | 168,3   | 6,625  |        |             |               |       | 168,3 |       | 166.0 - 170.5       | 189,8  | 42,7                   | 203    | 150    | 40     | 12     | 10         |
| 747-12-0216-CC-D | 200     | 8          | 216,3   |         |         | 12,752 | 216,3  |             |               |       |       |       | 214.0 - 219.0       | 243,3  | 32,0                   | 252    | 185    | 100    | 16     | 12         |
| 747-12-0219-CC-D | 200     |            | 219,1   | 219,1   | 219,1   | 8,625  |        |             |               | 219,0 |       | 219,0 | 216.5 - 222.0       | 246,1  | 32,0                   | 252    | 185    | 100    | 16     | 12         |
| 747-12-0267-CC-D | 250     | 10         | 267,4   |         |         | 18,000 | 267,4  | 267,0       |               |       |       |       | 262.0 - 270.0       | 294,4  | 26,7                   | 252    | 185    | 120    | 16     | 12         |
| 747-12-0273-CC-D | 250     |            | 273,1   | 273,0   | 273,1   | 10,750 |        |             |               |       | 273,0 |       | 270.0 - 277.0       | 300,1  | 26,7                   | 252    | 185    | 120    | 16     | 12         |
| 747-12-0318-CC-D | 300     | 12         | 318,5   |         |         | 24,000 | 318,5  |             |               |       |       |       | 316.0 - 323.0       | 345,5  | 26,7                   | 252    | 185    | 120    | 16     | 12         |
| 747-12-0323-CC-D | 300     |            | 323,9   | 323,9   | 323,9   | 12,750 |        |             |               | 323,9 |       | 323,9 | 322.0 - 329.0       | 350,9  | 26,7                   | 252    | 185    | 120    | 16     | 12         |
| 747-12-0355-CC-D | 350     | 14         | 355,6   | 355,6   | 355,6   | 14,000 | 355,6  |             |               |       |       | 355,0 | 352.0 - 361.0       | 382,6  | 26,7                   | 252    | 185    | 120    | 16     | 12         |
| 747-12-0406-CC-D | 400     | 16         | 406,4   | 406,4   | 406,4   | 16,000 | 406,4  |             |               |       |       |       | 402.0 - 411.0       | 433,4  | 26,7                   | 252    | 185    | 120    | 16     | 12         |
| 747-12-0457-CC-D | 450     | 18         | 457,2   | 457,2   | 457,2   | 18,000 | 457,2  | 457,2       | 457,2         |       |       |       | 453.0 - 462.0       | 484,2  | 25,3                   | 252    | 185    | 120    | 16     | 12         |
| 747-12-0508-CC-D | 500     | 20         | 508,0   | 508,0   | 508,0   | 20,000 | 508,0  | 508,0       | 508,0         |       |       |       | 504.0 - 513.0       | 535,0  | 18,7                   | 252    | 185    | 120    | 16     | 12         |
| 747-12-0558-CC-D | 550     | 22         | 558,8   | 558,8   | 558,8   | 22,000 |        |             |               |       |       |       | 554.0 - 564.0       | 585,8  | 18,7                   | 252    | 185    | 120    | 16     | 14         |
| 747-12-0609-CC-D | 600     | 24         | 609,6   | 609,6   | 609,6   | 24,000 |        |             |               | 610,0 |       |       | 605.0 - 615.0       | 636,6  | 16,0                   | 252    | 185    | 120    | 16     | 14         |
| 747-12-0660-CC-D | 650     | 26         | 660,4   |         | 660,4   | 26,000 |        |             |               |       |       |       | 654.0 - 666.0       | 687,4  | 16,0                   | 252    | 185    | 120    | 16     | 14         |
| 747-12-0711-CC-D | 700     | 28         | 711,2   | 711,2   | 711,2   | 28,000 |        |             |               | 711,2 |       |       | 705.0 - 717.0       | 738,2  | 14,7                   | 252    | 185    | 120    | 16     | 14         |
| 747-12-0762-CC-D | 750     | 30         | 762,0   |         |         | 30,000 |        |             |               |       |       |       | 756.0 - 768.0       | 789,0  | 14,0                   | 252    | 185    | 120    | 16     | 14         |
| 747-12-0812-CC-D | 800     | 32         | 812,8   | 812,8   | 812,8   | 32,000 |        |             |               | 812,8 |       |       | 806.0 - 818.0       | 839,8  | 13,3                   | 252    | 185    | 120    | 16     | 14         |
| 747-12-0863-CC-D | 850     | 34         | 863,6   |         | 863,6   | 34,000 |        |             |               |       |       |       | 857.0 - 869.0       | 890,6  | 12,4                   | 252    | 185    | 120    | 16     | 14         |
| 747-12-0914-CC-D | 900     | 36         | 914,4   | 914,4   | 914,4   | 36,000 |        |             |               | 914,4 |       |       | 908.0 - 920.0       | 941,4  | 11,7                   | 252    | 185    | 120    | 16     | 14         |
| 747-12-1016-CC-D | 1000    | 40         | 1016,0  | 1.016,0 | 1.016,0 | 40,000 |        |             |               |       |       |       | 1010.0 - 1022.0     | 1043,0 | 10,7                   | 252    | 185    | 120    | 16     | 14         |

CC = Material D = Rubber More detailed LNS information on page 15

Note: the above tables are guides to the most common sizes. Couplings to suit specific diameters not listed may be manufactured to order. Please contact our sales department for further details. Minimum burst is 1.5 times working pressure. Figures are based on typical values for standard wall carbon steel pipe. For use on thin or soft pipe materials such as thin wall stainless, copper alloy or plastic (by way of example only) please check with us first.

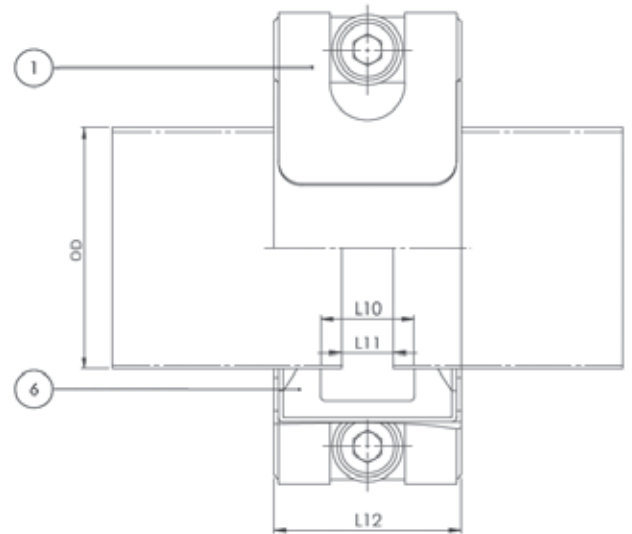
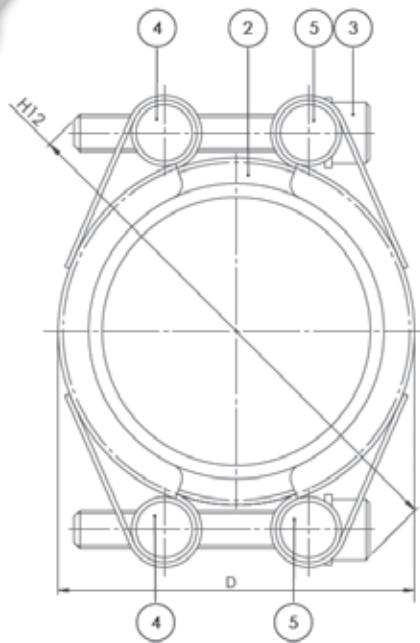


Working pressure for industrial and land-based applications.  
Minimum burst pressure is 1½ times working pressure.

# Repico® REPAIR COUPLINGS

## Repico® RE – REPAIR COUPLING FOR ELBOWS

The Repico® RE is designed to repair elbows (only for long radius elbows,  $R \geq 1.5D$ ), bends or welds. It seals against 53 bar (769 psi) maximum. It offers no progressive sealing. It is available with EPDM, NBR, Silicone and FKM seals. Main components of stainless steel 316. For pipes over DN500 (20") the Repico® RSD can be used. Repico® RE, DN 13 up to DN 500 (3/8" up to 20")



|   |             |                                   |
|---|-------------|-----------------------------------|
| 1 | Body        | Stainless steel 316               |
| 2 | Slide plate | Stainless steel 316               |
| 3 | Bolt        | Stainless steel 316 / PTFE coated |
| 4 | Nut         | Stainless steel 316               |
| 5 | Washer      | Stainless steel 316               |
| 6 | Sealing     | EPDM, NBR, Silicone or FKM rubber |

| Article number   | Pipe DN | Pipe OD    |         |        |       |        |             |               |        |        | Coupling range (mm) | D (mm)        | Working pressure (bar) | Length |        | Torque Nm | Thread M | Allen head mm |    |
|------------------|---------|------------|---------|--------|-------|--------|-------------|---------------|--------|--------|---------------------|---------------|------------------------|--------|--------|-----------|----------|---------------|----|
|                  |         | Nom. Diam. | DIN/ISO | ASTM   | ASTM  | KS/JIS | CuNi metric | CuNi imperial | Other  | PE     |                     |               |                        | L12 mm | L10 mm |           |          |               |    |
|                  |         | mm         | mm      | inch   | mm    | mm     | mm          | mm            | mm     | mm     |                     |               |                        | mm     | mm     |           |          |               |    |
| 747-71-0015-CC-D | 13      |            |         |        |       |        |             |               |        |        | 15.3 - 17.0         | 34,0          | 53                     | 27     | 8      | 7         | 6        | 5             |    |
| 747-71-0020-CC-D | 15      |            | 21,30   | 21,30  | 0,62  |        |             |               |        |        | 20,00               | 19.5 - 21.3   | 38,0                   | 47     | 27     | 10        | 7        | 6             | 5  |
| 747-71-0021-CC-D | 15      | 1/2        | 21,30   | 21,30  | 0,84  | 21,70  |             |               |        |        |                     | 21.0 - 23.0   | 39,0                   | 47     | 27     | 10        | 7        | 6             | 5  |
| 747-71-0025-CC-D | 20      |            |         |        | 0,85  |        |             |               |        |        | 25,00               | 24.0 - 26.5   | 43,0                   | 47     | 27     | 10        | 7        | 6             | 5  |
| 747-71-0027-CC-D | 20      | 3/4        | 26,90   | 26,70  | 1,05  | 26,70  |             |               |        |        |                     | 26.0 - 28.5   | 45,0                   | 47     | 27     | 10        | 7        | 6             | 5  |
| 747-71-0028-CC-D | 20      |            |         |        | 1,07  |        |             | 28,24         |        |        |                     | 26.4 - 29.5   | 46,0                   | 47     | 27     | 10        | 7        | 6             | 5  |
| 747-71-0030-CC-D | 25      |            |         |        | 1,11  |        | 30,00       |               |        |        |                     | 29.0 - 31.5   | 48,0                   | 47     | 27     | 10        | 7        | 6             | 5  |
| 747-71-0032-CC-D | 25      |            |         |        | 1,18  |        |             |               |        |        | 32,00               | 31.0 - 33.5   | 50,0                   | 47     | 27     | 10        | 7        | 6             | 5  |
| 747-71-0034-CC-D | 25      | 1          | 33,70   | 33,40  | 1,32  | 34,00  |             | 34,59         | 33,70  |        |                     | 33.0 - 35.5   | 52,0                   | 47     | 27     | 10        | 7        | 6             | 5  |
| 747-71-0038-CC-D | 32      |            |         |        | 1,34  |        | 38,00       |               | 38,00  |        |                     | 37.0 - 39.5   | 56,0                   | 47     | 27     | 10        | 7        | 6             | 5  |
| 747-71-0040-CC-D | 32      |            |         |        | 1,50  |        |             | 40,94         |        | 40,00  |                     | 39.5 - 41.8   | 58,0                   | 47     | 27     | 10        | 7        | 6             | 5  |
| 747-71-0042-CC-D | 32      | 1 1/4      | 42,40   | 42,40  | 1,66  | 42,70  |             |               |        |        |                     | 42.0 - 44.5   | 61,0                   | 47     | 27     | 10        | 7        | 6             | 5  |
| 747-71-0044-CC-D | 32      |            |         |        | 1,68  |        | 44,50       |               | 44,50  |        |                     | 44.0 - 46.5   | 62,5                   | 47     | 27     | 10        | 7        | 6             | 5  |
| 747-71-0048-CC-D | 40      | 1 1/2      | 48,30   | 48,30  | 1,90  | 48,60  |             |               |        |        |                     | 47.5 - 50.5   | 66,0                   | 40     | 27     | 10        | 7        | 6             | 5  |
| 747-71-0050-CC-D | 40      |            |         |        | 1,91  |        |             |               |        | 50,00  |                     | 49.2 - 51.5   | 68,8                   | 40     | 27     | 10        | 7        | 6             | 5  |
| 747-71-0054-CC-D | 50      |            |         |        | 2,00  |        |             | 54,05         | 54,00  |        |                     | 53.0 - 56.0   | 78,6                   | 40     | 40     | 18        | 15       | 8             | 6  |
| 747-71-0057-CC-D | 50      |            |         |        | 2,13  |        | 57,00       |               | 57,00  |        |                     | 56.0 - 59.0   | 81,6                   | 40     | 40     | 18        | 15       | 8             | 6  |
| 747-71-0060-CC-D | 50      | 2          | 60,30   | 60,30  | 2,38  | 60,50  |             |               |        |        |                     | 59.0 - 62.0   | 85,0                   | 40     | 40     | 18        | 15       | 8             | 6  |
| 747-71-0063-CC-D | 50      |            |         |        | 2,38  |        |             |               |        | 63,00  |                     | 62.0 - 65.0   | 87,6                   | 40     | 40     | 18        | 15       | 8             | 6  |
| 747-71-0066-CC-D | 65      |            |         |        | 2,48  |        |             | 66,75         |        |        |                     | 65.4 - 69.0   | 91,3                   | 40     | 40     | 18        | 15       | 8             | 6  |
| 747-71-0069-CC-D | 65      |            |         |        | 2,63  |        |             |               | 69,00  |        |                     | 68.0 - 72.0   | 93,6                   | 40     | 40     | 18        | 15       | 8             | 6  |
| 747-71-0073-CC-D | 65      |            |         | 73,00  | 2,88  |        |             |               |        |        |                     | 72.5 - 76.5   | 97,6                   | 40     | 40     | 18        | 15       | 8             | 6  |
| 747-71-0076-CC-D | 65      | 2 1/2      | 76,10   |        | 2,87  | 76,30  | 76,10       |               | 76,10  | 75,00  |                     | 75.0 - 79.0   | 101,0                  | 40     | 40     | 18        | 15       | 8             | 6  |
| 747-71-0079-CC-D | 80      |            |         |        | 3,00  |        |             | 79,85         |        |        |                     | 78.8 - 83.0   | 103,9                  | 40     | 60     | 29        | 28       | 12            | 10 |
| 747-71-0084-CC-D | 80      |            |         |        | 3,15  |        |             |               | 84,00  |        |                     | 82.5 - 86.0   | 108,0                  | 40     | 60     | 29        | 28       | 12            | 10 |
| 747-71-0089-CC-D | 80      | 3          | 88,90   | 88,90  | 3,50  | 89,10  | 88,90       |               | 88,90  | 90,00  |                     | 88.0 - 92.0   | 113,1                  | 40     | 60     | 29        | 28       | 12            | 10 |
| 747-71-0101-CC-D | 80      |            | 101,60  | 101,60 | 4,00  | 101,60 |             |               |        |        |                     | 100.0 - 104.0 | 125,6                  | 40     | 60     | 29        | 28       | 12            | 10 |
| 747-71-0104-CC-D | 100     |            |         |        | 4,09  |        |             |               |        |        |                     | 102.0 - 106.0 | 128,0                  | 33,3   | 60     | 29        | 28       | 12            | 10 |
| 747-71-0106-CC-D | 100     |            |         |        | 4,19  |        |             | 106,27        |        |        |                     | 105.0 - 108.5 | 130,3                  | 33,3   | 60     | 29        | 28       | 12            | 10 |
| 747-71-0108-CC-D | 100     |            |         |        | 4,25  |        | 108,00      |               |        |        |                     | 106.0 - 110.0 | 132,0                  | 33,3   | 60     | 29        | 28       | 12            | 10 |
| 747-71-0114-CC-D | 100     | 4          | 114,30  | 114,30 | 4,50  | 114,30 |             |               | 114,30 |        |                     | 113.0 - 118.0 | 138,3                  | 33,3   | 60     | 29        | 28       | 12            | 10 |
| 747-71-0127-CC-D | 125     |            |         |        | 5,00  |        |             |               |        |        |                     | 125.0 - 129.5 | 151,0                  | 24,0   | 60     | 29        | 28       | 12            | 10 |
| 747-71-0129-CC-D | 125     |            |         |        | 5,08  |        |             |               |        |        |                     | 127.5 - 131.0 | 153,0                  | 24,0   | 60     | 29        | 28       | 12            | 10 |
| 747-71-0133-CC-D | 125     |            |         |        | 5,24  |        | 133,00      | 131,67        |        |        |                     | 131.0 - 135.5 | 157,0                  | 24,0   | 60     | 29        | 28       | 12            | 10 |
| 747-71-0139-CC-D | 125     | 5          | 139,70  |        | 5,50  | 139,80 |             |               | 139,70 |        |                     | 138.0 - 142.5 | 163,8                  | 24,0   | 60     | 29        | 28       | 12            | 10 |
| 747-71-0141-CC-D | 125     |            |         | 141,30 | 5,63  |        |             |               |        | 140,00 |                     | 139.5 - 144.0 | 165,3                  | 24,0   | 60     | 29        | 28       | 12            | 10 |
| 747-71-0154-CC-D | 150     |            |         |        | 6,06  |        |             |               |        |        |                     | 151.5 - 156.0 | 178,0                  | 24,0   | 60     | 29        | 28       | 12            | 10 |
| 747-71-0159-CC-D | 150     |            |         |        | 6,26  |        | 159,00      | 157,68        |        | 160,00 |                     | 156.0 - 161.0 | 183,0                  | 24,0   | 60     | 29        | 28       | 12            | 10 |
| 747-71-0165-CC-D | 150     | 6          |         |        | 6,50  | 165,20 |             |               |        |        |                     | 164.0 - 168.5 | 189,2                  | 24,0   | 60     | 29        | 28       | 12            | 10 |
| 747-71-0168-CC-D | 150     |            | 168,30  | 168,30 | 6,63  |        |             |               | 168,30 |        |                     | 166.0 - 170.5 | 192,3                  | 24,0   | 60     | 29        | 28       | 12            | 10 |
| 747-71-0180-CC-D | 175     |            |         |        | 7,09  |        |             |               |        | 180,00 |                     | 178.0 - 183.0 | 204,0                  | 21,3   | 60     | 29        | 28       | 12            | 10 |
| 747-71-0200-CC-D | 200     |            |         |        | 7,87  |        |             |               |        | 200,00 |                     | 198.0 - 203.5 | 225,0                  | 21,3   | 61     | 29        | 40       | 12            | 10 |
| 747-71-0204-CC-D | 200     |            |         |        | 8,03  |        |             |               |        |        |                     | 202.0 - 206.5 | 229,0                  | 21,3   | 61     | 29        | 40       | 12            | 10 |
| 747-71-0216-CC-D | 200     | 8          |         |        | 8,52  | 216,30 |             |               |        |        |                     | 214.0 - 219.0 | 241,3                  | 21,3   | 61     | 29        | 40       | 12            | 10 |
| 747-71-0219-CC-D | 200     |            | 219,10  | 219,10 | 8,63  |        | 219,00      |               | 219,00 |        |                     | 216.5 - 222.0 | 244,1                  | 21,3   | 61     | 29        | 40       | 12            | 10 |
| 747-71-0254-CC-D | 250     |            |         |        | 10,00 |        |             |               |        |        |                     | 251.0 - 257.0 | 279,0                  | 21,3   | 61     | 29        | 40       | 12            | 10 |
| 747-71-0267-CC-D | 250     | 10         |         |        | 10,53 | 267,40 | 267,00      |               |        |        |                     | 262.0 - 270.0 | 292,4                  | 21,3   | 61     | 29        | 40       | 12            | 10 |
| 747-71-0273-CC-D | 250     |            | 273,00  | 273,10 | 10,75 |        |             |               | 273,00 |        |                     | 270.0 - 277.0 | 298,1                  | 21,3   | 61     | 29        | 40       | 12            | 10 |
| 747-71-0304-CC-D | 300     |            |         |        | 11,97 |        |             |               |        |        |                     | 301.5 - 309.0 | 329,0                  | 17,3   | 61     | 29        | 40       | 12            | 10 |
| 747-71-0318-CC-D | 300     | 12         |         |        | 12,54 | 318,50 |             |               |        |        |                     | 316.0 - 323.0 | 343,5                  | 17,3   | 61     | 29        | 40       | 12            | 10 |
| 747-71-0323-CC-D | 300     |            | 323,90  | 323,90 | 12,75 |        | 323,90      |               | 323,90 |        |                     | 322.0 - 329.0 | 348,9                  | 17,3   | 61     | 29        | 40       | 12            | 10 |
| 747-71-0355-CC-D | 350     | 14         | 355,60  | 355,60 | 14,00 | 355,60 |             |               |        | 355,00 |                     | 352.0 - 361.0 | 380,6                  | 16,0   | 61     | 29        | 40       | 12            | 10 |
| 747-71-0406-CC-D | 400     | 16         | 406,40  | 406,40 | 16,00 | 406,40 |             |               |        |        |                     | 402.0 - 411.0 | 431,4                  | 14,7   | 61     | 29        | 40       | 12            | 10 |
| 747-71-0457-CC-D | 450     | 18         | 457,20  | 457,20 | 18,00 | 457,20 | 457,20      | 457,20        |        |        |                     | 453.0 - 460.0 | 482,2                  | 13,3   | 61     | 29        | 40       | 12            | 10 |
| 747-71-0508-CC-D | 500     | 20         | 508,00  | 508,00 | 20,00 | 508,00 | 508,00      | 508,00        |        |        |                     | 504.0 - 512.0 | 533,0                  | 12,0   | 61     | 29        | 40       | 12            | 10 |

CC = Material D = Rubber More detailed LNS information on page 15

Note: the above tables are guides to the most common sizes. Couplings to suit specific diameters not listed may be manufactured to order. Please contact our sales department for further details. Minimum burst is 1.5 times working pressure. Figures are based on typical values for standard wall carbon steel pipe. For use on thin or soft pipe materials such as thin wall stainless, copper alloy or plastic (by way of example only) please check with us first.



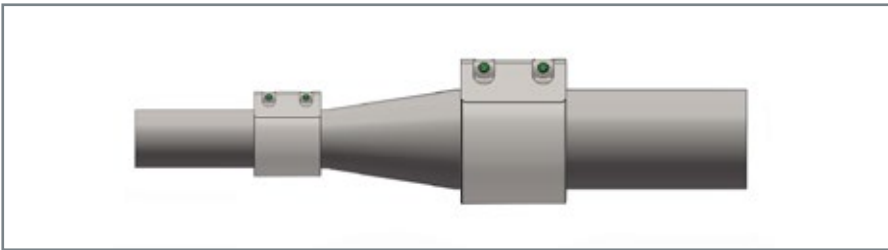
Working pressure for industrial and land-based applications.  
Minimum burst pressure is 1½ times working pressure.

# ENGINEERED PRODUCTS

AVK is offering you a simple, quick and low cost installation option with the standard Repico® product line. Besides the standard product we also offer our customer engineered solutions to support him in solving installation problems and providing a ready to install solution.

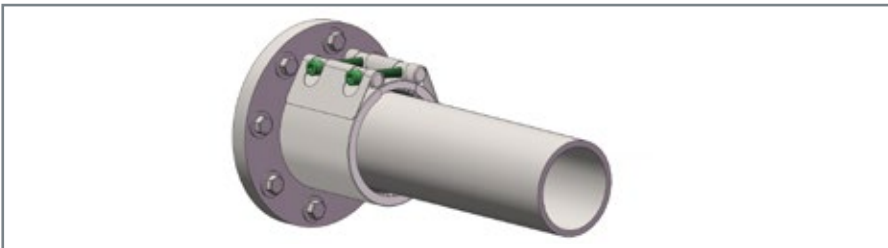
Some solutions are provided below.

## Reducer / Expander



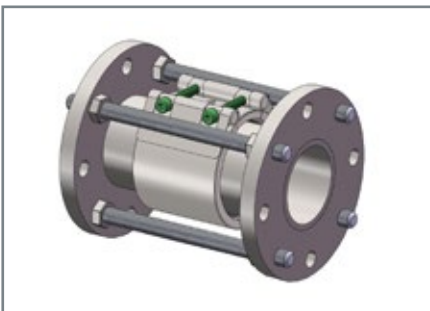
If you need to connect 2 pipes of different sizes we offer a ready to install solution.

## Flange Adapter



A quick install solutions that also absorbs vibrations and noise.

## Dismantling joint



Instead of removing large pipe sections to have free access to pumps and other large equipment.



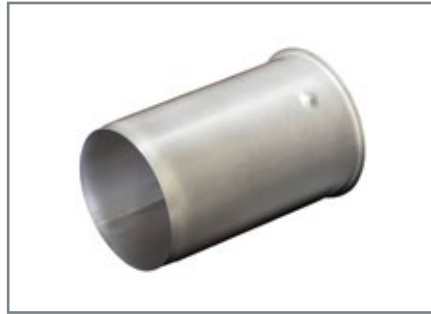
# ACCESSORIES

## Inserts

AVK recommends usage of an insert in the PE pipe when using a Repico® coupling. AVK inserts are made of stainless steel AISI 304 and are available for all SDR sizes. The insert is available in a wedge type or scandic type and are pickled and passivated to prevent corrosion.



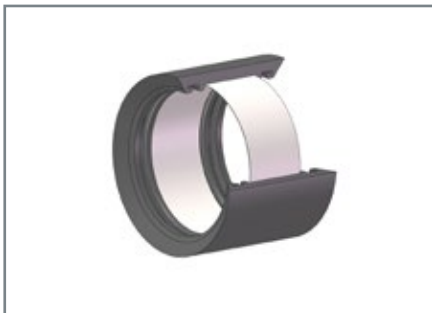
**Wedge type**



**Scandic type**

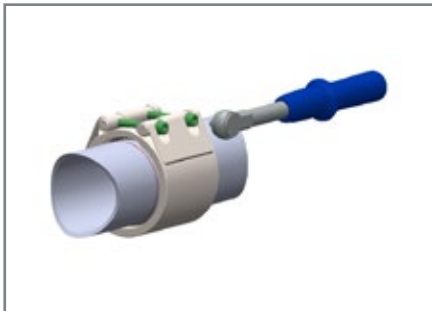
## Insert ring

The strip insert protects the sealing sleeve from increased mechanical and chemical loads. It also prevents the sealing sleeve from moisture expansion and allows larger gaps between the pipe ends to be connected. Furthermore, it allows larger angular deflections and misalignment. With the strip insert the couplings can also be used for both vacuum and high pressure applications without any problems.



## Torque wrench

- Required to set the right torque on the bolting.



# MINIMUM WALL THICKNESS PIPE MATERIALS

| OD      | Stainl. Steel   | Mild steel      | Copper  | Copper  | Cast Iron | Plastic Pipe | OD      | USA          |
|---------|-----------------|-----------------|---------|---------|-----------|--------------|---------|--------------|
| -> Ø <- | (304/304 S31)   | St 37-2*        | Nickel  |         |           | (SN 10.000)  | -> Ø <- | A29 / 1015   |
|         | (316Ti/320 S31) | (12L14/230 M07) | Pipe    | Cu-R290 | (ductile) |              |         | ASTM / SAE   |
| (mm)    | S = min         | S = min         | S = min | S = min | S = min   | S = min      | (inch)  | Schedule No. |
| 26,9    | 1,0             | 1,0             | -       | -       | -         | -            | 3/4     | 5            |
| 28,0    | 1,0             | 1,0             | 1,5     | 1,5     | -         | -            | -       | -            |
| 30,0    | 1,2             | 1,2             | 1,5     | 1,5     | -         | -            | -       | -            |
| 33,7    | 1,2             | 1,2             | -       | -       | -         | -            | 1       | 5            |
| 35,0    | 1,2             | 1,2             | -       | 1,5     | -         | -            | -       | -            |
| 38,0    | 1,6             | 1,6             | 1,5     | 1,5     | -         | -            | -       | -            |
| 42,4    | 1,6             | 1,6             | -       | 1,5     | -         | -            | 1 1/4   | 5            |
| 44,5    | 1,6             | 1,6             | 1,5     | 1,5     | -         | -            | -       | -            |
| 48,3    | 1,6             | 1,6             | -       | -       | -         | -            | 1 1/2   | 5            |
| 54,0    | 1,6             | 1,6             | -       | 1,5     | -         | -            | -       | -            |
| 57,0    | 1,6             | 1,6             | 2,0     | 2,0     | -         | -            | -       | -            |
| 60,3    | 1,6             | 1,6             | -       | -       | -         | -            | 2       | 5            |
| 73,0    | 2,0             | 2,0             | -       | -       | -         | -            | 2 1/2   | 5            |
| 76,1    | 2,0             | 2,0             | 2,0     | 2,0     | -         | -            | -       | -            |
| 78,0    | 2,0             | 2,0             | -       | -       | -         | -            | -       | -            |
| 84,0    | 2,0             | 2,0             | -       | -       | -         | -            | -       | -            |
| 88,9    | 2,0             | 2,0             | 2,0     | 2,0     | -         | -            | 3       | 5            |
| 98,0    | 2,0             | 2,0             | -       | -       | 6,0       | -            | -       | -            |
| 101,6   | 2,0             | 2,0             | -       | -       | -         | -            | 3 1/2   | 5            |
| 104,0   | 2,0             | 2,0             | -       | -       | -         | -            | -       | -            |
| 108,0   | 2,0             | 2,0             | 2,5     | 2,5     | -         | -            | -       | -            |
| 110,0   | 2,0             | 2,0             | -       | -       | -         | -            | -       | -            |
| 114,3   | 2,0             | 2,0             | -       | -       | -         | -            | 4       | 5            |
| 118,0   | 2,3             | 2,3             | -       | -       | 6,0       | 3,1          | -       | -            |
| 128,0   | 2,3             | 2,3             | -       | -       | -         | -            | -       | -            |
| 133,0   | 2,3             | 2,3             | 2,5     | 3,0     | -         | -            | -       | -            |
| 139,7   | 2,3             | 2,3             | -       | -       | -         | -            | -       | -            |
| 141,3   | 2,3             | 2,3             | -       | -       | -         | 3,7          | 5       | 5            |
| 144,0   | 2,3             | 2,3             | -       | -       | 6,2       | -            | -       | -            |
| 154,0   | 2,6             | 2,6             | -       | -       | -         | -            | -       | -            |
| 159,0   | 2,6             | 2,6             | 2,5     | 3,0     | -         | -            | -       | -            |
| 168,3   | 2,6             | 2,6             | -       | -       | -         | 4,3          | 6       | 5            |
| 170,0   | 2,6             | 2,6             | -       | -       | 6,0       | -            | -       | -            |
| 177,8   | 2,6             | 2,6             | -       | -       | -         | -            | -       | -            |
| 193,7   | 2,6             | 2,6             | 3,0     | -       | -         | -            | -       | -            |
| 204,0   | 2,6             | 2,6             | -       | -       | -         | -            | -       | -            |
| 219,1   | 2,6             | 2,6             | 3,0     | 3,0     | -         | -            | 8       | 5            |
| 222,0   | 2,6             | 2,6             | -       | -       | 6,3       | 5,5          | -       | -            |
| 244,5   | 2,6             | 2,6             | -       | -       | -         | -            | -       | -            |
| 256,0   | 2,9             | 2,9             | -       | -       | -         | -            | -       | -            |
| 267,0   | 3,2             | 3,2             | 3,0     | 3,0     | -         | -            | -       | -            |
| 274,0   | 3,2             | 3,2             | 4,0     | -       | 6,8       | 6,1          | 10      | 5            |
| 304,0   | 3,2             | 3,2             | -       | -       | -         | -            | -       | -            |
| 323,9   | 3,6             | 3,6             | 4,0     | -       | -         | 6,1          | 12      | 5            |
| 326,0   | 3,6             | 3,6             | -       | -       | 7,2       | -            | -       | -            |
| 355,6   | 3,6             | 3,6             | -       | -       | -         | -            | 14      | 5            |
| 368,0   | 3,6             | 3,6             | 4,0     | -       | -         | -            | -       | -            |
| 378,0   | 3,6             | 3,6             | -       | -       | 7,7       | 7,1          | -       | -            |
| 404,0   | 3,6             | 3,6             | -       | -       | -         | -            | -       | -            |
| 406,4   | 4,0             | 4,0             | -       | -       | -         | -            | 16      | 5            |
| 419,0   | 4,0             | 4,0             | 4,0     | -       | -         | -            | -       | -            |
| 429,0   | 4,0             | 4,0             | -       | -       | 8,1       | 8,1          | -       | -            |
| 457,2   | 4,0             | 4,0             | 4,5     | -       | -         | -            | 18      | 5            |
| 478,2   | 4,0             | 4,0             | -       | -       | -         | 9,0          | -       | -            |
| 508,0   | 5,0             | 5,0             | 5,0     | -       | -         | -            | 20      | 5            |
| 532,0   | 5,0             | 5,0             | -       | -       | 9,0       | 10,1         | -       | -            |
| 558,8   | 6,3             | 6,3             | -       | -       | -         | -            | -       | -            |
| 609,6   | 6,3             | 6,3             | 5,0     | -       | -         | -            | 24      | 10           |
| 635,0   | 6,3             | 6,3             | -       | -       | 9,9       | -            | -       | -            |
| 711,2   | 7,1             | 7,1             | -       | -       | -         | -            | -       | -            |

# AVAILABLE TESTS

Below mentioned tests are the most common tests.

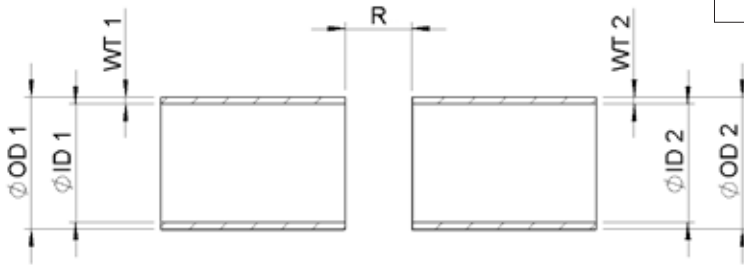
- Tightness test
- Vibration (fatigue) test
- Pressure pulsation test
- Burst pressure test
- Pull out test
- Vacuum test
- Fire endurance test
- Corrosion test; 264 hours salt spray test in accordance with ASTM B117, EN-ISO 9227
- Rubber plate test

# APPLICATION SHEET

Date :

Issued by :

Name customer :



|                          |                    |    |
|--------------------------|--------------------|----|
| <b>Pipe dimension 1:</b> | OD 1               | mm |
|                          | ID 1               | mm |
|                          | or WT 1            | mm |
|                          | or tube serial no. |    |

|                          |                    |    |
|--------------------------|--------------------|----|
| <b>Pipe dimension 2:</b> | OD 2               | mm |
|                          | ID 2               | mm |
|                          | or WT 2            | mm |
|                          | or tube serial no. |    |

|                    |  |
|--------------------|--|
| <b>Material 1:</b> | <input type="checkbox"/> Carbon steel    |
|                    | <input type="checkbox"/> Stainless steel |
|                    | <input type="checkbox"/> PE/PP           |
|                    | <input type="checkbox"/> PVC             |
|                    | <input type="checkbox"/> GRP             |
|                    | <input type="checkbox"/>                 |

|                    |  |
|--------------------|--|
| <b>Material 2:</b> | <input type="checkbox"/> Carbon steel    |
|                    | <input type="checkbox"/> Stainless steel |
|                    | <input type="checkbox"/> PE/PP           |
|                    | <input type="checkbox"/> PVC             |
|                    | <input type="checkbox"/> GRP             |
|                    | <input type="checkbox"/>                 |

|                  |   |
|------------------|---|
| <b>Coupling:</b> | <input type="checkbox"/> Tensile resistant (Repico® Grip) |
|                  | <input type="checkbox"/> Axial flexible (Repico® Slip)    |
|                  | <input type="checkbox"/> Repair type                      |

|                |                             |                                |
|----------------|-----------------------------|--------------------------------|
| <b>Casing:</b> | <input type="checkbox"/> SS | <input type="checkbox"/> Galv. |
|----------------|-----------------------------|--------------------------------|

|                    |                             |                                |
|--------------------|-----------------------------|--------------------------------|
| <b>Lock parts:</b> | <input type="checkbox"/> SS | <input type="checkbox"/> Galv. |
|--------------------|-----------------------------|--------------------------------|

|                |  |
|----------------|--|
| <b>Medium:</b> | <input type="checkbox"/> Water             |
|                | <input type="checkbox"/> Gas               |
|                | <input type="checkbox"/> Air               |
|                | <input type="checkbox"/> Fuel              |
|                | <input type="checkbox"/> Chemical products |

|                  |                  |      |
|------------------|------------------|------|
| <b>Pressure:</b> | Working pressure | bar  |
|                  | Test pressure    | bar  |
|                  | System pressure  | bar  |
|                  | Vacuum           | mbar |

**Specifications:**

|                              |      |    |
|------------------------------|------|----|
| <b>Temperature (medium):</b> | max. | °C |
|                              | min. | °C |

**Chemical formula:**

|                              |        |    |
|------------------------------|--------|----|
| <b>Gap between pip ends:</b> | R max. | mm |
|------------------------------|--------|----|

**Concentration:**

|                  |  |     |
|------------------|--|-----|
| <b>Quantity:</b> |  | pcs |
|------------------|--|-----|

Issued by :







**AVK Rewag**

Schorsweg 1  
8171 ME Vaassen  
The Netherlands

Tel. : +31(0)578 560602  
E-mail: [info@avkrewag.com](mailto:info@avkrewag.com)  
Internet: [www.avkrewag.com](http://www.avkrewag.com)

05-2019  
Copyright©AVK Group A/S 2019

Expect... 